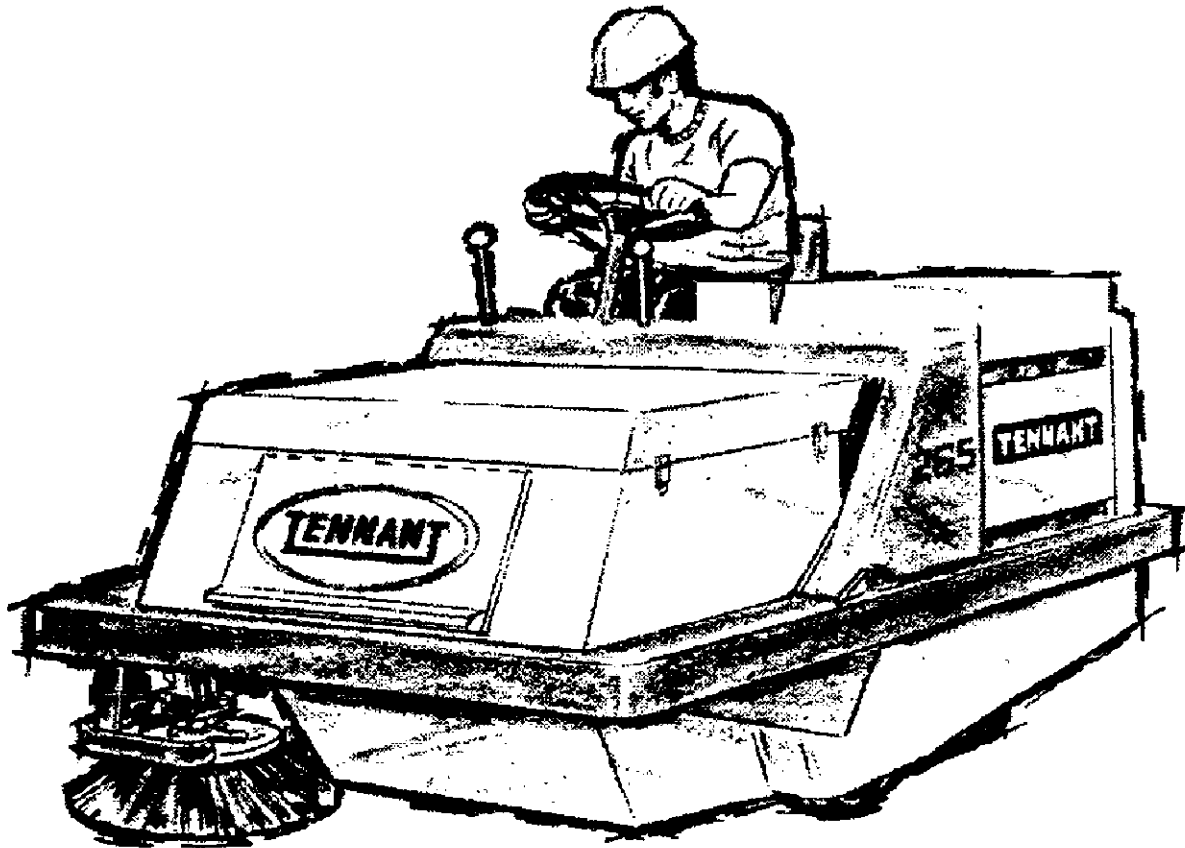


# 265

## POWER SWEEPER



Operation, Maintenance, and Parts Manual  
Including High Dump Model, First Serial Number 2391



SPECIALIZED

**MAINTENANCE SYSTEMS**

SWEEPERS • SCRUBBERS • SCARIFIERS • FLOOR COATINGS

Home	Find...	Go To..		
------	---------	---------	---	---



# 265

## POWER SWEEPER

This manual is furnished with each new TENNANT® Model 265. The machine operators will easily learn how to operate the machine and understand its mechanical functions by following the directions and absorbing the information in the Operation section.

This machine will give excellent service and sweeping results, and save maintenance expenses. However, as with all specially engineered mechanical equipment, best results are obtained at minimum costs if:

- The machine is operated with reasonable care and
- The machine is maintained regularly — per the maintenance instructions provided.
- Components used in this machine have been carefully selected for performance and safety. Use only Tennant Company supplied or equivalent parts.

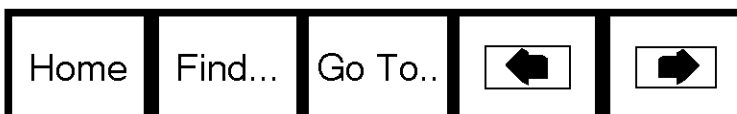
Parts and supplies may be ordered by phone or mail from any Tennant Company parts and service center, distributor, or from any of the Tennant Company subsidiaries.

The telephone, telex, mailing addresses, and locations are listed on the last page of the manual.

MANUAL NO. MM114  
Published: 1-84

Trademark Registered in: Austria, Benelux, Denmark, England, France, Germany, Italy, Spain, Switzerland, United States, Argentina, Australia, Canada, Japan, Mexico, Sweden, by TENNANT COMPANY, Minneapolis, Minnesota, U.S.A.

© 1984, Tennant Company, Printed in U.S.A.



# 265 STANDARD POWER SWEEPER

## CONTENTS

Fig. 1 - Main Frame & Related Parts	2 & 3
Fig. 2 - Seat & Instrument Panel	4 & 5
Fig. 3 - Engine & Related Parts	6 & 7
Fig. 4 - Air Cleaner & Related Parts	8 & 9
Fig. 5 - Cooling System	10 & 11
Fig. 6 - Exhaust System	12 & 13
Fig. 7 - Gasoline Tank	14 & 15
Fig. 8 - Gasoline Carburetor, Fuel Pump, Governor	16 & 17
Fig. 9 - Filter System	18 & 19
Fig. 10 - Vacuum Fan Assembly	20 & 21
Fig. 11 - Rear Wheel Assembly	22
Fig. 12 - Rear Drive Motor & Related Parts	23
Fig. 13 - Main Brush Lift Controls	24
Fig. 14 - Main Brush Drive & Related Parts	25
Fig. 15 - Side Brush Support & Drive	26 & 27
Fig. 16 - Front Wheel & Brake Assembly	28
Fig. 17 - Handbrake & Foot Brake System	29
Fig. 18 - Steering & Related Parts	30 & 31
Complete Hydraulic System with Vickers Pump	32
Fig. 19 - Drive Motor & Related Parts	33
Fig. 20 - Side Brush, Main Brush & Vacuum Fan	34 & 35
Fig. 21 - Hydraulic Cylinder, Valve & Filter Group	36 & 37
Fig. 22 - Hydraulic Tank & Related Parts	38 & 39
Fig. 23 - Hydraulic Pump & Related Parts	40 & 41
Fig. 24 - Pump Control Linkages	42 & 43
Fig. 25 - Electrical System	44 & 45
List of Decals	46

**standard parts**

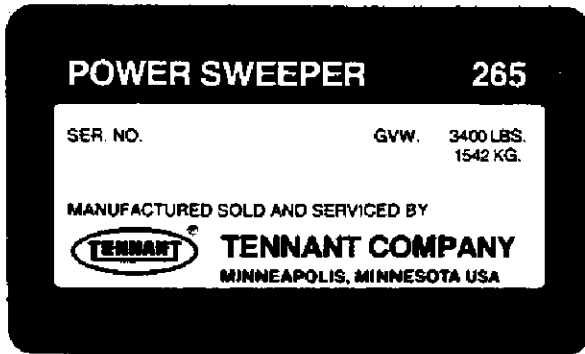
This section includes parts for a Standard Model 265 equipped with a gasoline engine. For scrubber attachments or other accessories, see "Accessories Parts List". For Hi-Dump machines, see "Hi-Dump Parts List". For LPG fuel machine, see "LPG Parts List". Breakdown parts lists for hydraulic components are shown in "Hydraulic Components Section".



## ORDERING REPAIR PARTS

To avoid errors or delays in filling parts orders, please furnish all of the following information.

1. Always specify the machine model number and the machine serial number shown on the machine data plate.



2. Give the part number, description, and the quantity needed of each item on the order. Do not order by reference number or the figure number of the illustrated parts.
3. Indented items indicate parts of assemblies. Standard hardware is furnished only when part of a purchased assembly. Please order hardware from a local hardware supplier.
4. If the old part cannot be identified, send it to us with the quantity needed specified on the order.
5. State definite shipping instructions to include the shipping address and/or the billing address if there is a difference. Any claim for loss or damage to a shipment in transit should be filed promptly against the transportation company making the delivery. Shipments will be complete unless the packing list or order acknowledgement indicate items back ordered.

If parts received are suspected to be incorrect or defective, please write, wire, or phone the Tennant Company representative from whom you ordered the part. They will give authorization for return and/or handle replacement shipments when required.

### SI (INTERNATIONAL SYSTEM) UNITS OF MEASURE

Metric equivalents have been included, where applicable, throughout this parts catalog.

### BOLT AND CAP SCREW STRENGTH IDENTIFICATION

Bolts and cap screws required to have high-strength qualities equivalent to SAE Grade 8 are identified throughout this catalog by the description GR 8. Unless identified by this description, all standard bolts and cap screws are SAE Grade 5.

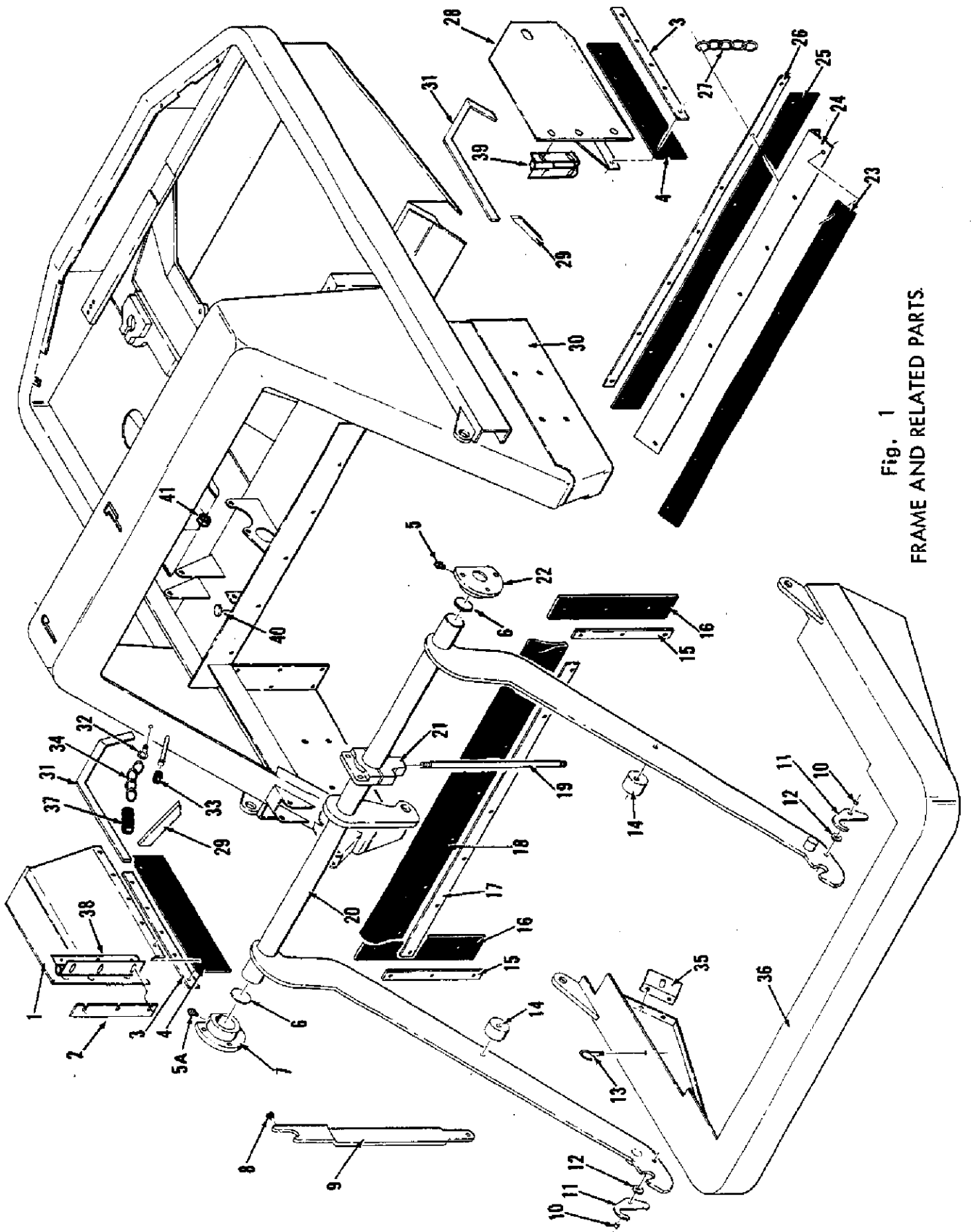


Fig. 1  
FRAME AND RELATED PARTS

Fig. 1 - FRAME AND RELATED PARTS

Ref. No.	TENNANT Part No.	Description	Qty.
1	*33762	DOOR, Brush, R.H.	1
2	23752-2	SHIM (if needed for weld-hinged door)	1
3	45857	RETAINER, Skirt	2
4	23275	SKIRT, Side	2
5	07259	FITTING, Grease	1
5A	08407	FITTING, Grease	1
6	23138	SHIM, Liftarm	1
7	23454-2	BEARING, Torque tube, right	1
8	56855	STOP, Safety arm, rubber	1
9	53003	ARM, Hopper, safety stop	1
10	46137	SLEEVE	2
11	46132	HOOK	2
12	46147	WASHER, Neoprene	2
13	21097	HOOK	1
14	23452-2	CAM, Hopper, adjusting	2
15	23384-2	RETAINER, Side seal	2
16	23382	SEAL, Hopper Side	2
17	53143	RETAINER, Top seal	1
18	23386	SEAL, Hopper top	1
19	23583-2 A	STUD	1
20	53056	ARM, Lift	1
21	23580-2	BEARING, Torque tube, center	1
22	23455-2	BEARING, Torque tube, left	1
23	53298	SKIRT, Rear, (Brush Contact)	1
24	53219	ANGLE, Skirt mount	1
25	53137	SKIRT, Rear, (Floor Contact)	1
26	23268-1	RETAINER, Rear skirt	1
27	09342	CHAIN, Drag(static safety)	1
28	**33760	DOOR, Access, L.H.	1
29	53974	SEAL, Access door	2
30	33504	FRAME, Main	1
31	53052	SEAL, Access door	2
32	11893	EYE BOLT	1
33	43250	TIP, Rubber	1
34	46307	CHAIN, Bumper hold-up	1
35	24528	ANGLE, Tie	2
36	53637	BUMPER	1
37	46567	HOSE, Chain cover	1
38	32885	HINGE, Brush door, R.H.	1
39	32886	HINGE, Brush door, L.H.	1
	47954	SLEEVE, Drag chain	1
40	46213	PLUGBUTTON	1
41	10632-15	GROMMET	1

\*To replace R.H. Brush door with welded on hinge, order SK2515; to replace door with bolted on hinge used on machines up to serial number 8543, order SK2726.

1/84 \*\*To replace L.H. Brush door with welded on hinge, order SK2514; to replace door with bolted on hinge used on machines up to serial number 8543, order SK2724.

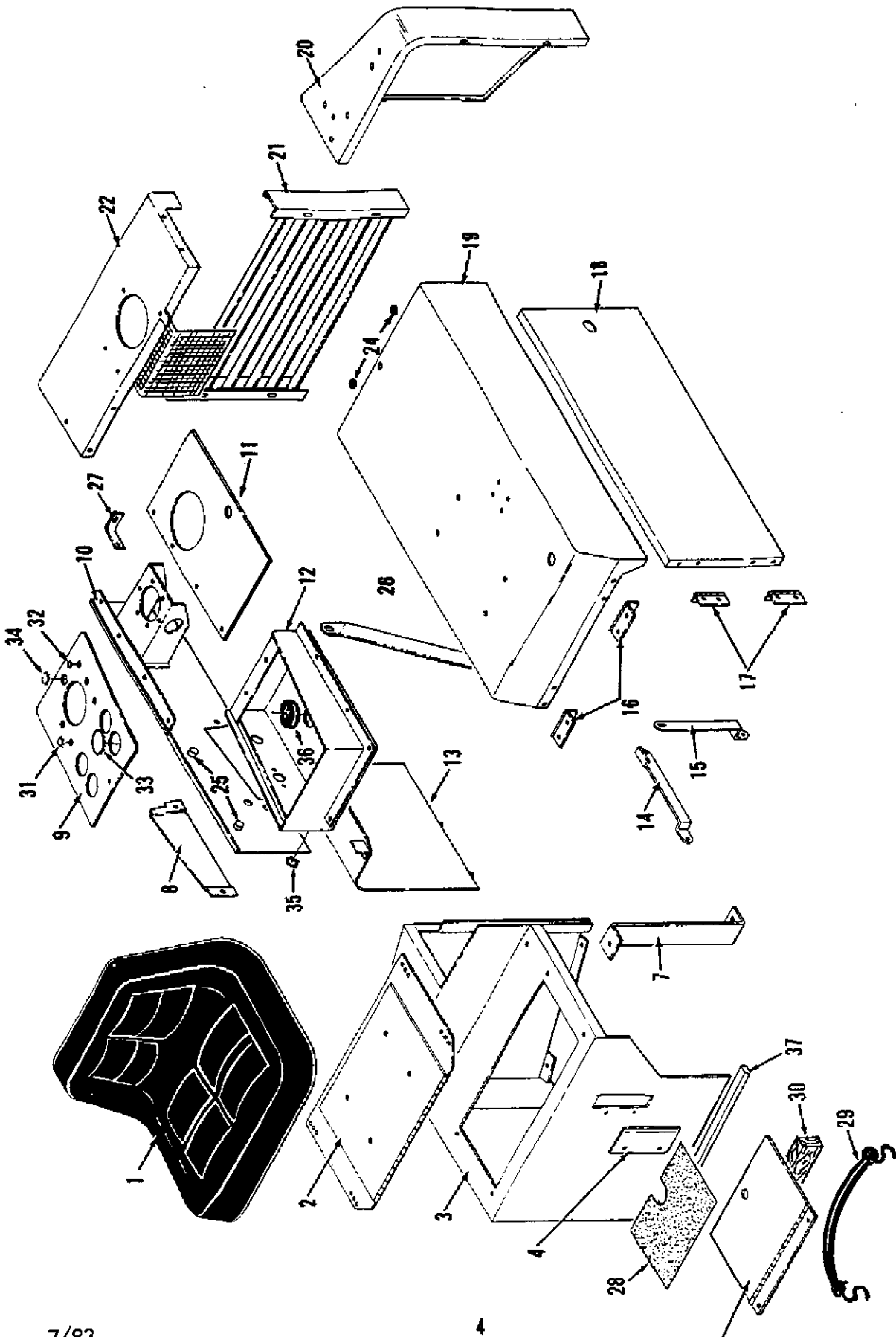


Fig. 2 - SEAT, INSTRUMENT PANEL & RELATED PARTS



Fig. 2 - SEAT, INSTRUMENT PANEL &amp; RELATED PARTS

01898

Ref. No.	TENNANT Part No.	Description	Qty.
1	53871	SEAT	1
2	53844	MOUNT, Seat	1
3	53729A	SUPPORT, Seat	1
4	53128	PLATE, Cover	1
6	53465-2	COVER, Battery	1
7	50824	BRACKET, Seat support	1
8	54371-1	PANEL, Access	1
9	53513	PANEL, Instrument	1
10	54936	COVER, Engine panel	1
11	50808	DOOR, Instrument panel	1
12	54721	BOX, Instrument	1
13	32820	PANEL ASSEMBLY	1
14	37093	ARM, Hinge	1
15	37091	ARM, Hinge	1
16	47700	HINGE, Engine cover	2
17	47692	HINGE, Side door	2
18	50847	DOOR, Side	1
19	54937	COVER, Engine	1
20	53849A	PANEL, Corner	1
21	39228	GRILL	1
22	50751	COVER, Top rear	1
24	51787	BUMPER	2
25	53051A	SLEEVE, Instrument box mounting	2
26	54157	BRACE	1
27	24528	BRACKET	1
28	32270	TREAD, Floor	1
29	33671	STRAP, Rubber	1
30	46391	SPACER, Wood	1
31	47178-4	PLUGBUTTON, 0.50"	3
32	47178-11	PLUGBUTTON, 0.39"	1
33	47178-12	PLUGBUTTON, 2.1"	2
34	47178-13	PLUGBUTTON, 1.3"	1
35	47178-2	PLUGBUTTON, 0.88"	1
	47178-18	PLUGBUTTON, 1.4"	1
36	56390	GROMMET	1
	10632-9	GROMMET	2
37	23826	SEAL, Seat support	1

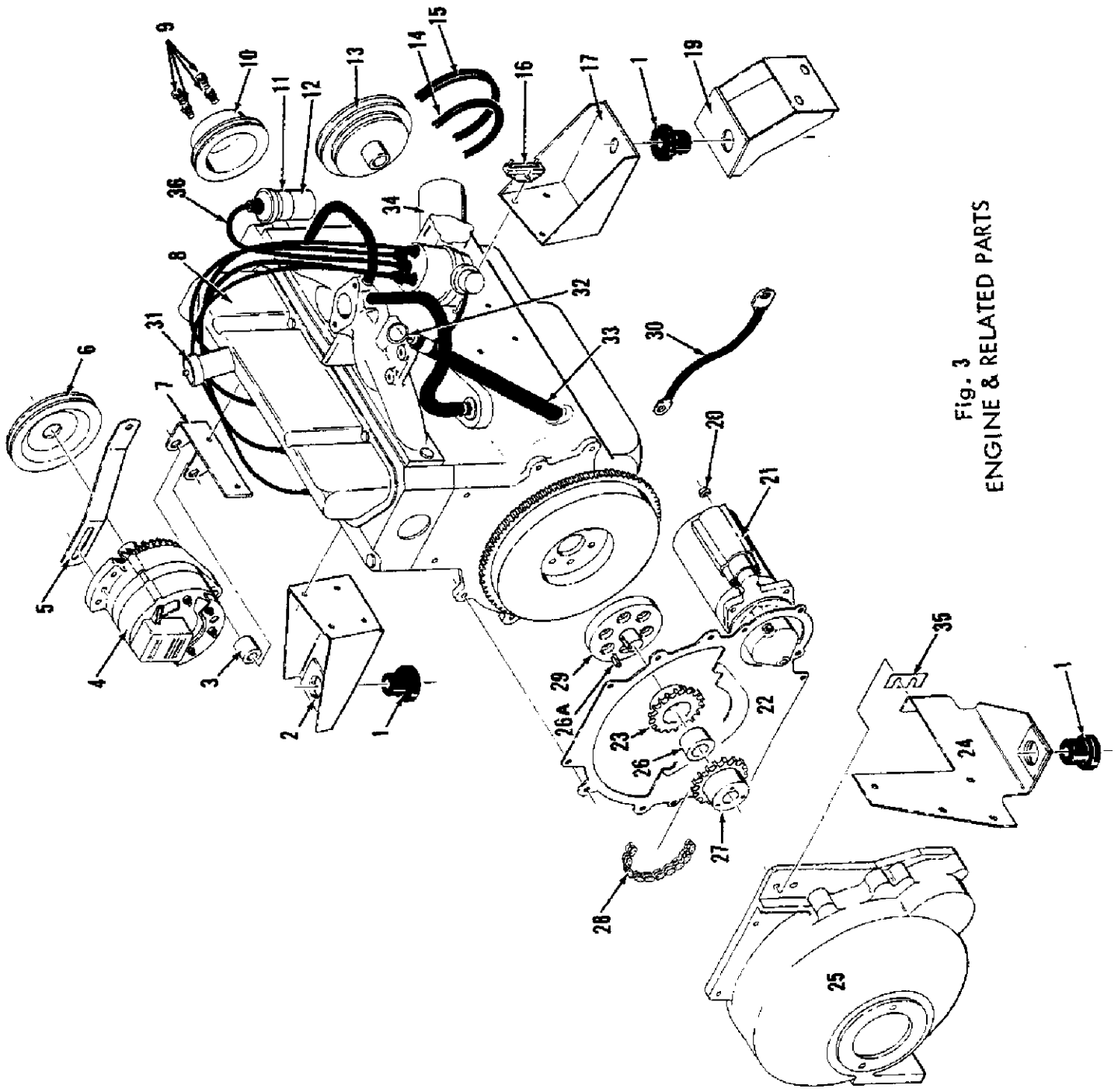


Fig. 3  
ENGINE & RELATED PARTS

FIG. 3 - ENGINE AND RELATED PARTS

01899

Ref. No.	TENNANT Part No.	Description	Qty.
1	51176	DAMPER, Engine	3
2	54860	MOUNT, Engine, left hand	1
3	54959	SPACER, Alternator	1
4	54915	ALTERNATOR ASSEMBLY (includes following)	1
	54915-1	ALTERNATOR	1
	54915-2	REGULATOR, Voltage	1
	54915-3	FAN, Alternator	1
5	50309	STRIP, Alternator	1
6	54914	SHEAVE, Alternator	1
7	54928	BRACKET, Alternator mounting	1
8	32837	**ENGINE, Basic, Gasoline	1
9	50388	SCREW, Hex cap, 8mm	4
10	54911-10	PULLEY, Water pump	1
11	54911-30	STRAP, Coil	1
12	54911-11	COIL, Ignition	1
13	54911-9	PULLEY, Crankshaft	1
14	44561	V-BELT, Alternator-water pump	1
15	50854	V-BELT, Fan, radiator	1
16	54911-15	RESISTOR, Ignition coil	1
17	54892	MOUNT, Engine, right hand	1
19	54889	BRACKET, Motormount	1
20	50335	NUT, Hex, 5mm	1
21	32453	*STARTER, Engine	1
22	54911-5	*RING, Starter locating	1
	54911-16	*PIN, Dowel	2
23	53531-2	COUPLING, Chain (Engine side)	1
24	54836A	BRACKET, Motor & valve mount	1
25	54921A-1	HOUSING, Flywheel	1
26	15280-1	BUSHING	1
26A	00926	KEY	1
27	53386-1	COUPLING, Chain, half (pump side) splined	1
28	53392-3	CHAIN, Coupling	1
29	47933	PLATE, Pump drive adaptor	1
30	29832-7	CABLE, Grounding	1
31	50352	CAP, Oil filler & breather	1
32	54911-26	* DIPSTICK, Oil level	1
33	54911-27	* TUBE, Dipstick	1
34	50353	* ELEMENT, Engine oil filter	1
35	47854	SHIM (16-GA thick)	2
	47854-1	SHIM (0.19" thick)	1
36	54911-31	WIRE, Coil high tension	1
	51564	WASHER, Engine mount	5
	54911-32	* DRAIN COCK	1

\*\*Note: Basic engine 32837 replaces engine 54912-1 on machines with S/N 7514 and above. To replace previous engine 54912-1, order SK2493.

Basic engine does not include alternator, voltage regulator, V-belts, fan, carburetor, pulleys, coil, resistor, etc.

\*Note: These parts are included in basic engine 32837.

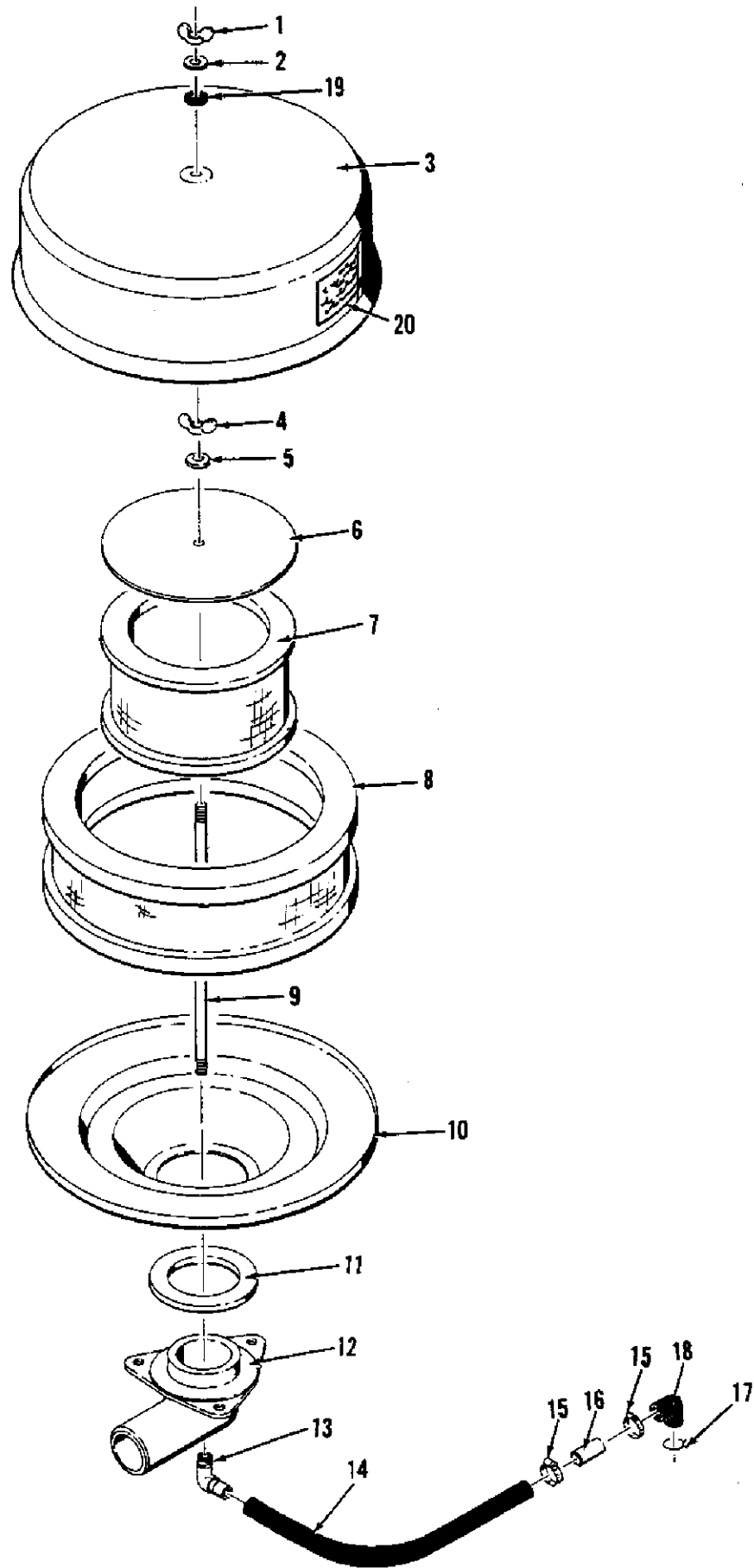


Fig. 4 - AIR CLEANER AND RELATED PARTS

Fig. 4 - AIR CLEANER AND RELATED PARTS

Ref. No.	TENNANT Part No.	Description	Qty.
1	26509	NUT, Wing, 0.25" - 20	1
2	41178	WASHER, Steel	1
3	23791B	COVER, Air cleaner	1
4	46591	NUT, Wing, 0.25" - 20	1
5	24924	WASHER, Nylon	1
6	54081	COVER	1
7	27313	ELEMENT, Air filter, inner	1
8	23792	ELEMENT, Air filter, outer	1
9	54082	STUD	1
10	54080	FLANGE, Air cleaner	1
11	23731	WASHER, Neoprene	1
12	23727A-2	BASE, Air cleaner	1
13	47388	ELBOW	1
14	54148	HOSE, Breather	1
15	54333	* CLAMP	2
16	51706	* SLEEVE	1
17	46818	CLAMP, Wire	1
18	54155	* ELBOW, Rubber	1
19	33518	WASHER, Rubber	1
20	24669	DECAL, Fram aircleaner	1

\* Note: These parts are used on "old style" air cleaner only.

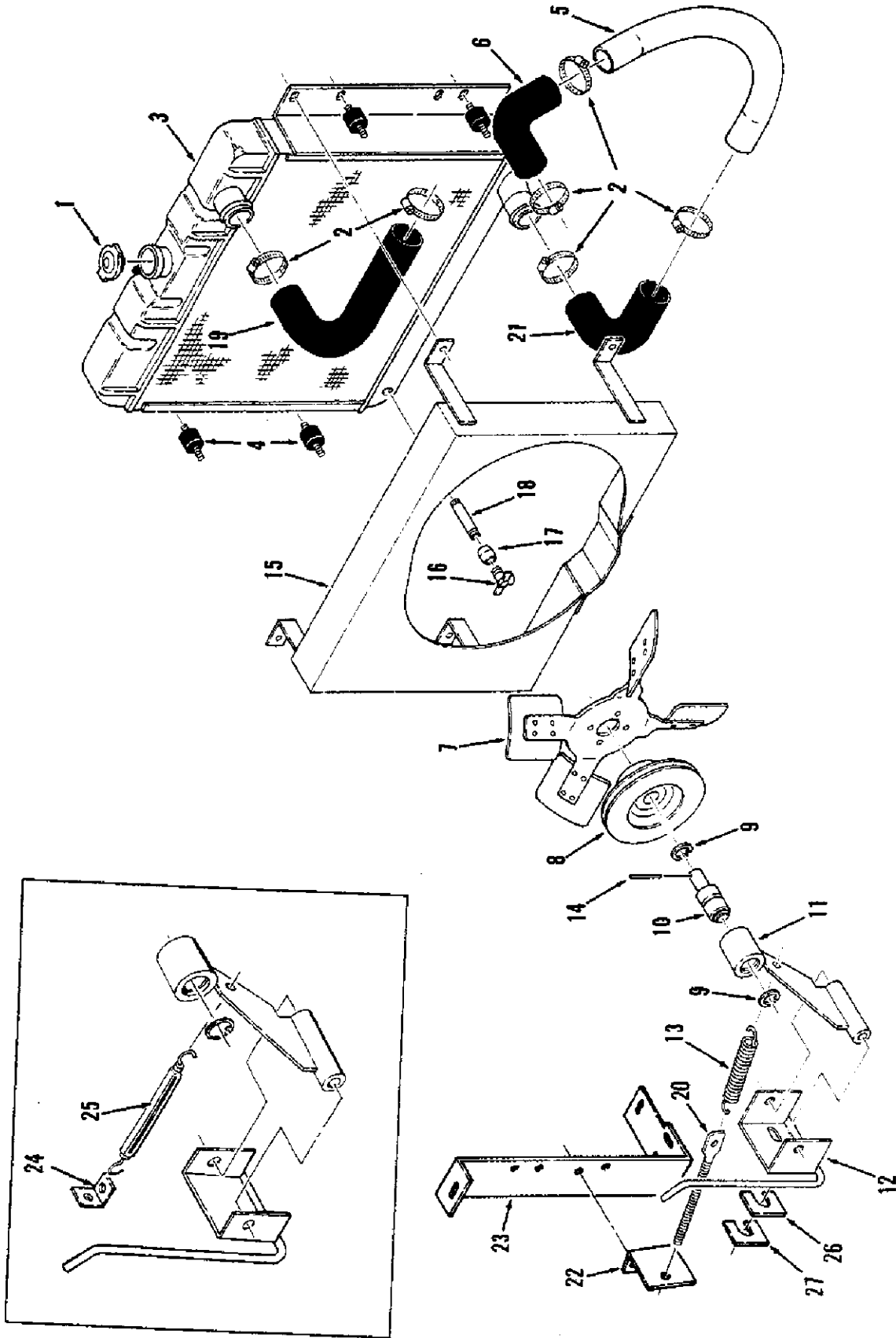


Fig. 5 - COOLING SYSTEM

7/83

Fig. 5 - COOLING SYSTEM

01900

Ref. No.	TENNANT Part No.	Description	Qty.
1	51321-3	CAP, Radiator	1
2	11531	CLAMP, Wormdrive	6
3	*19593	RADIATOR	1
4	51322	DAMPER, Radiator, vibration	4
5	54874	TUBE, Radiator	1
6	54884	HOSE, Radiator, (To engine)	1
7	48648	FAN (4-blade)	1
8	53867	PULLEY, Fan	1
9	23217	RING, Retaining	2
10	28868	BEARING & SHAFT, Fan	1
11	50837	ARM, Fan, mounting	1
12	32836	BRACKET, Fan, arm mounting	1
13	50864	SPRING	1
14	11398	PIN, Roll	1
15	54387	SHROUD, Fan (no longer used)	1
16	51305	DRAIN, Radiator angle	1
17	26897	COUPLING	1
18	26385	NIPPLE	1
19	**50956	HOSE, Radiator, Upper	1
20	42331-1	BOLT, Eye	1
21	50476	HOSE, Radiator (Bottom)	1
22	50825	BRACKET, Support	1
23	50824	BRACKET, Spring	1
24	54795	+ BRACKET, Turnbuckle	1
25	25494	+ TURNBUCKLE, Belt tensioning	1
26	14896-1	SHIM, 0.05" (1.0 mm)	1
27	14896-3	SHIM, 0.01" (0.5 mm)	1

\*To replace radiator on machines with serial number up to and including 7587, order SK2487. Machines with serial number from 7588 to 8157 use SK2676.

\*\*Machines with serial number up to and including 7587 used hose 10323-6. To replace 10323-6, order SK2544.

+Note: Machines with serial number up to and including 8132 used the old style turnbuckle tensioning. To replace with the new spring tensioning, order SK2564.

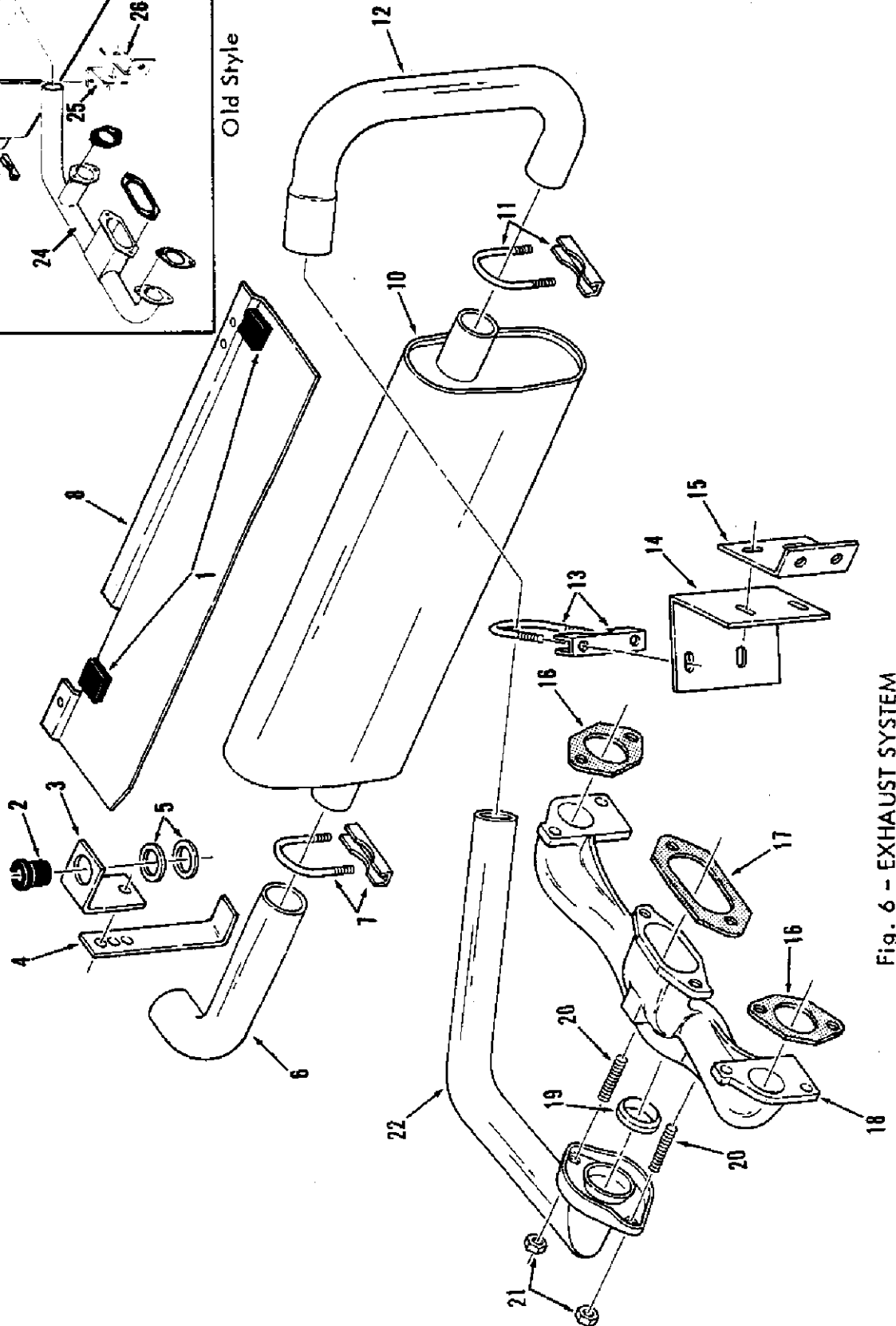
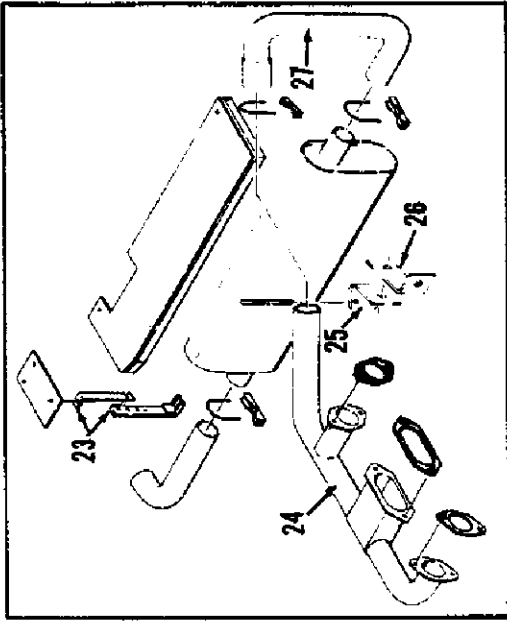


Fig. 6 - EXHAUST SYSTEM



Ref. No.	TENNANT Part No.	Description	Qty.
1	50962	PAD, Rubber	2
2	54274	ISOLATOR	1
3	47989	*BRACKET, Muffler support	1
4	47990	*SUPPORT, Muffler	1
5	09832	SPACER	2
6	53884	PIPE, Tail	1
7	23693	CLAMP, Muffler	1
8	50830	SHIELD, Muffler, heat	1
10	53820	MUFFLER	1
11	24012	CLAMP, Muffler	1
12	50966	** PIPE, Exhaust	1
13	24012-1	CLAMP, Muffler	1
14	50957	** BRACKET, Exhaust tube	1
15	48630	BRACKET, Exhaust tube	1
16	54911-21	GASKET, Exhaust manifold, end	2
17	54911-20	GASKET, Exhaust manifold, center	1
18	32838	MANIFOLD, Engine exhaust	1
19	32840	GASKET	1
20	32841	STUD	2
21	32842	NUT	2
22	50958	** PIPE, Exhaust	1
23	SK2068	HANGER KIT, Muffler, includes items: 2, 3, 4, and 5	1
24	SK2131	*MANIFOLD KIT, Replacement, includes items: 12 through 22	1
25	48631	*BRACKET, Exhaust pipe	1
26	48630	*BRACKET, Exhaust pipe	1
27	54926	*PIPE, Exhaust	1

\* Applicable to machines with serial number up to 7032

\*\* To replace these parts on machines with serial numbers up to and including 8132, order SK2565

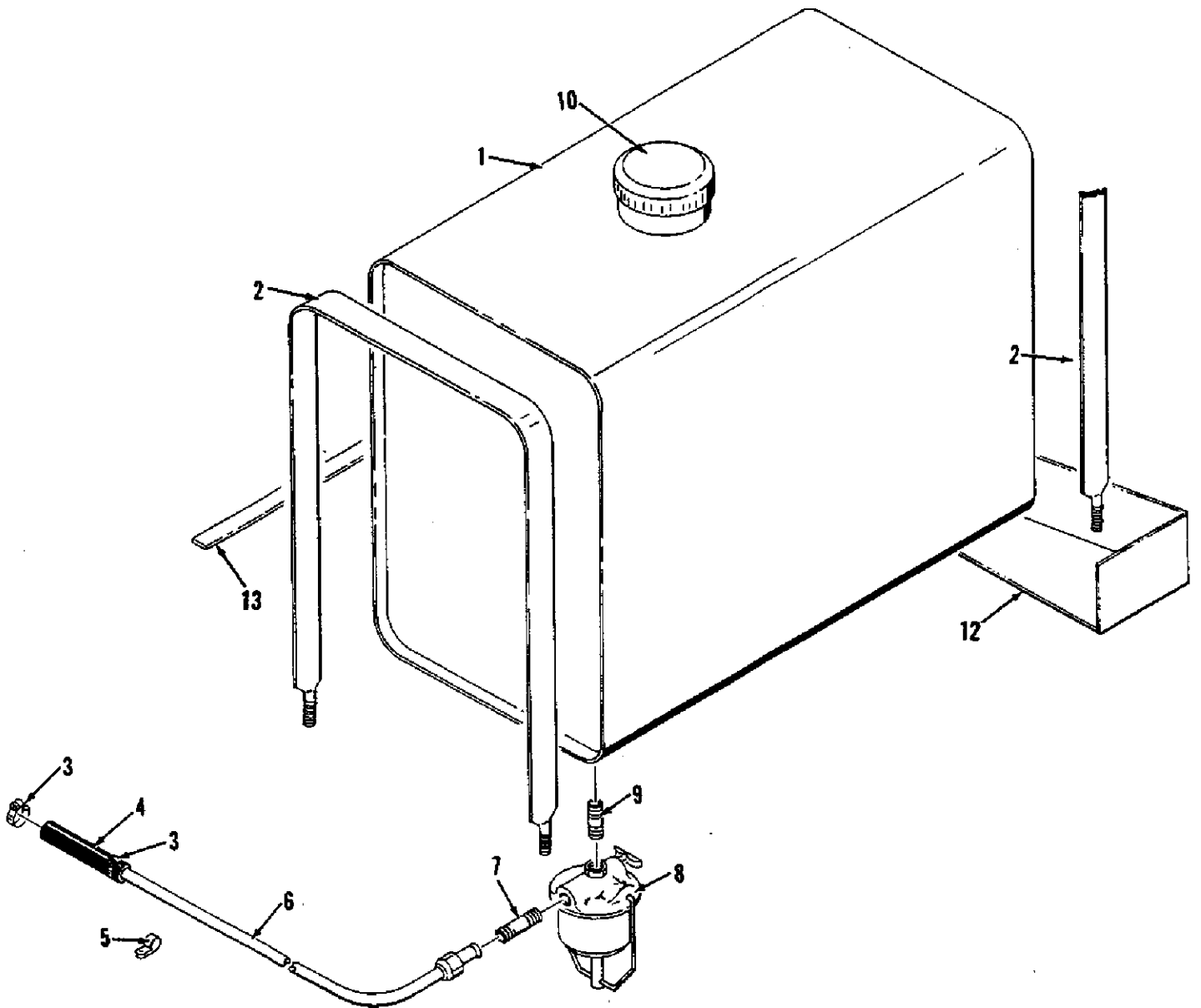


Fig. 7  
GASOLINE TANK & RELATED PARTS

FIG. 7 - GASOLINE TANK & RELATED PARTS

01897

Ref. No.	TENNANT Part No.	Description	Qty.
1	23390	TANK, Gas	1
2	23254	STRAP, Gas tank	2
3	43844	CLAMP, Hose, worm drive	2
4	54845	HOSE, Rubber	1
5	46236	CLAMP, Hose	3
6	53390-1	GAS LINE ASSEMBLY	1
7	22383	NIPPLE	1
8	04601	STRAINER & SEDIMENT BOWL, Fuel	1
9	17413	NIPPLE	1
10	48267	CAP, Gas (included in item #1)	1
12	53014	SHIELD, Gasoline	1
13	23826	SEAL	1

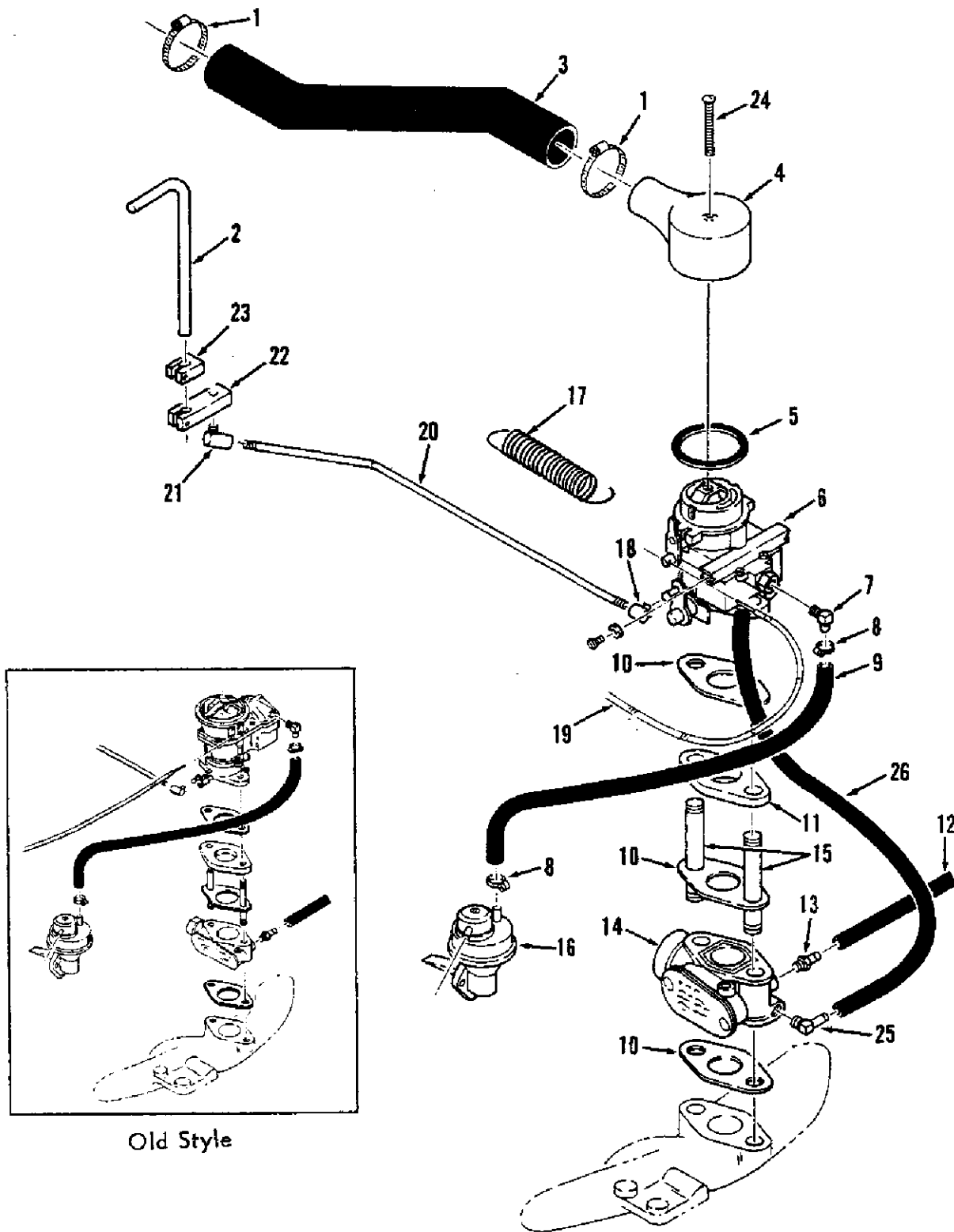


Fig. 8  
Gasoline Carburetor, Fuel Pump,  
Governor and Related Parts

7/82

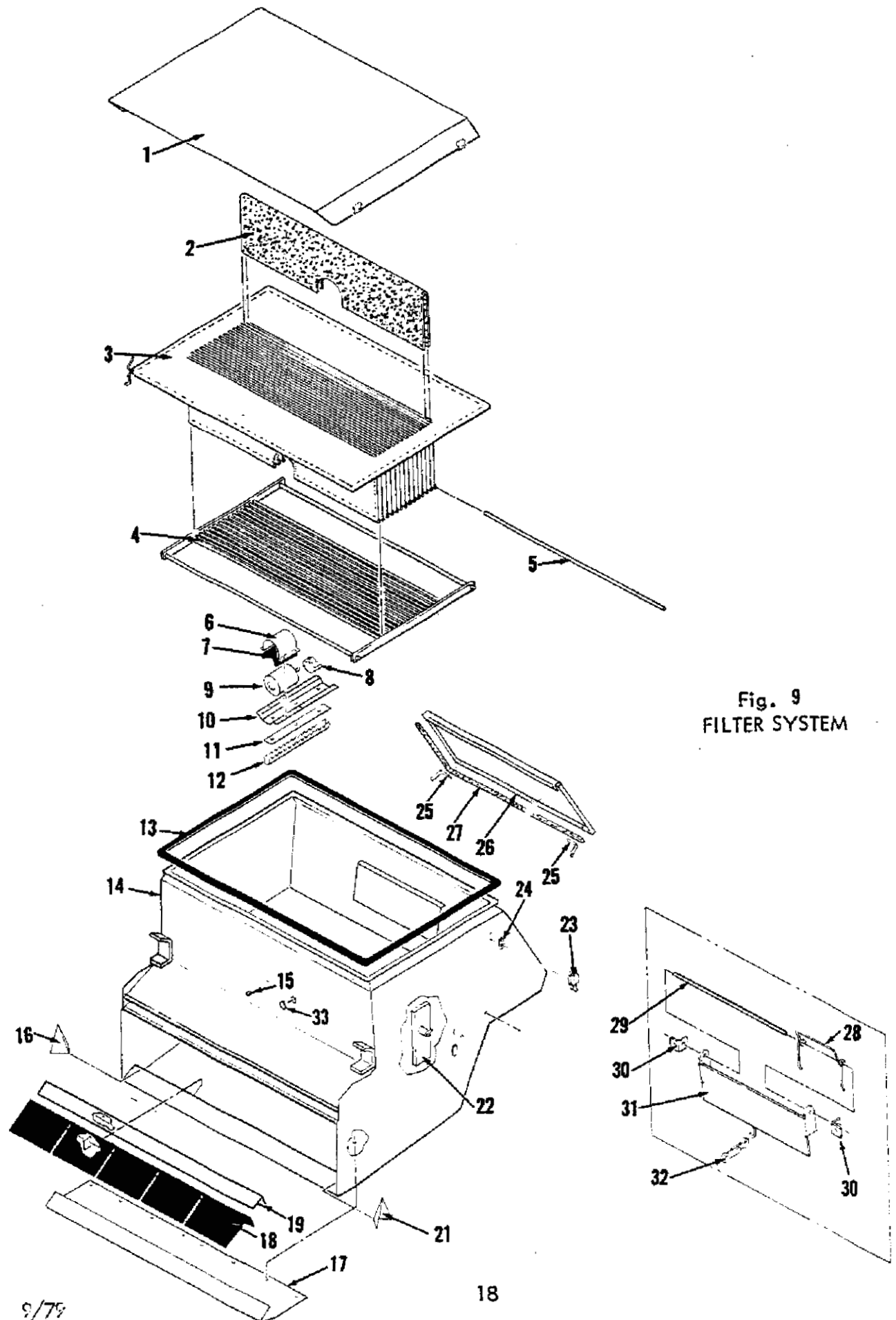
Fig. 8 - GASOLINE CARBURETOR, FUEL PUMP, GOVERNOR & RELATED PARTS

Ref. No.	TENNANT Part No.	Description	Qty.
1	11531	CLAMP	2
2	53267	LEVER, Throttle	1
3	+50331-2	HOSE, Air intake (new one-piece molded type)	1
4	50308	AIR-HORN, Carburetor	1
5	54912-4	GASKET, Carburetor to air horn	1
6	32996	*CARBURETOR, Gasoline (Repair kit is 38501)	1
7	53029	ELBOW, Fuel inlet	1
8	43844	CLAMP, Wormdrive	2
9	**9369	HOSE, Gasoline, 0.31" x 16" (7.9 x 406 mm)	1
10	54912-8	GASKET, Carburetor	3
11	54854	PLATE, Carburetor spacer	1
12	—	HOSE, Rubber, governor to distributor 0.16" x 12" (4 x 305 mm) furnished with engine	1
13	40607	CONNECTOR	1
14	54933	GOVERNOR, Speed	1
15	54844	STUDS, 1.31" x 18 x 3.38" (32 x 18 x 86 mm)	2
16	54912-2	PUMP, Fuel (Gasoline only)	1
17	50304	SPRING, Throttle return	1
18	50332	BALLJOINT	1
19	53140	CABLE ASSEMBLY, Choke	1
20	50300	ROD, Throttle	1
21	14601	BALLJOINT	1
22	53270	PIVOT, Arm	1
23	53290	CLAMP, Stop, throttle control	1
24	32301	SCREW, 0.25" x 20 x 1.75"	1
25	32183	ELBOW, Barbed	1
26	32302	HOSE	1
	54912-7	SLEEVE, Stud	2

\* To replace "Old-style" Carburetor, order SK2588.

\*\* Ford Part Number

+ Previous air intake hose (#50331) had spring (#50349) located inside. To replace this hose with new molded hose, order SK1844.



9/79

Fig. 9 - FILTER SYSTEM

Ref. No.	TENNANT Part No.	Description	Qty.
1	53338	COVER, Filter box	1
2	53260	SEPARATORS	7
3	53259	BAG, Filter	1
4	46071	RACK, Bag	1
5	53934	BAR	14
	54078	SHAKER MOTOR ASSEMBLY	1
6	44979	STRAP, Shaker motor	1
7	44893	BAR, Rubber	1
8	53264	WEIGHT, Eccentric	1
9	54121	MOTOR, Shaker (sealed, not repairable)	1
10	44980	SUPPORT	1
11	53189	STRIP, Rod clamp	1
12	53421	ROD, Clamp, lower	1
13	53244	SEAL, Extrusion	1
14	53261	BOX, Filter	1
15	47591	STRAINRELIEF	1
16	46596	DEFLECTOR, Dirt, left hand	1
17	46077	PLATE	1
18	48060	LIP	5
19	46080	BACKING	1
21	46595	DEFLECTOR, Dirt, right hand	1
22	24097	SUPPORT, Pan, right hand	1
(not shown)	24096	SUPPORT, Pan, left hand	1
23	48048	CATCH	4
24	23515	SPACER	4
25	53697	CATCH, Spring	2
26	53462	DOOR, Hopper	1
27	53461	SEAL, Set	1
28	51372	SPRING	1
29	46088	HINGE	1
30	46087	PIVOT	2
31	51149	FIRE DOOR	1
32	SK1511	FUSIBLE LINK	1
33	46213	PLUGBUTTON, 0.41" (10.4 mm)	1
	47178-3	PLUGBUTTON, 0.56" (14.2 mm)	1
	47571	FASTENER	2
	46236	CLAMP, Cable	1

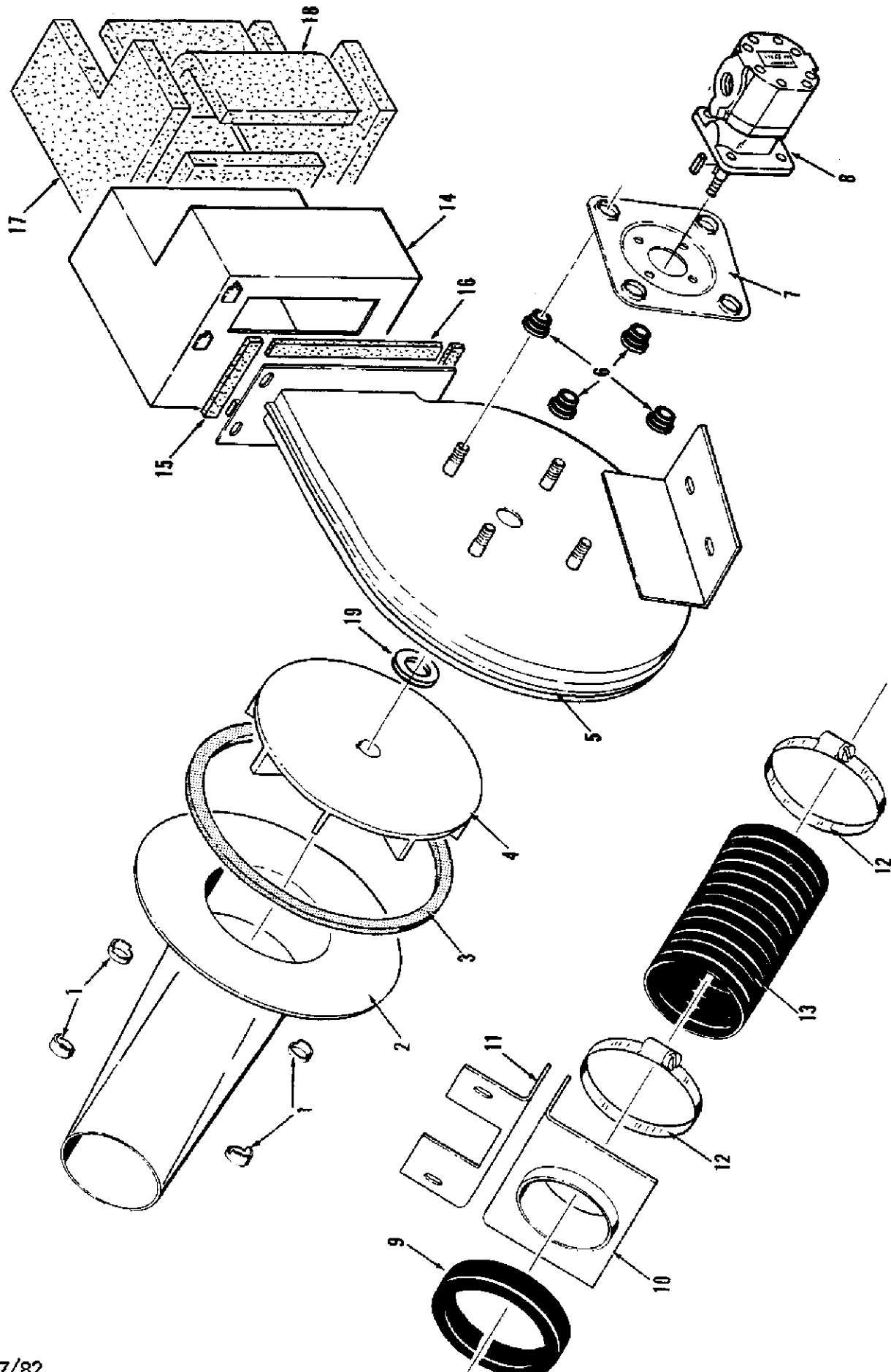


Fig. 10 - VACUUM FAN ASSEMBLY



Fig.10 - VACUUM FAN

Ref. No.	TENNANT Part No.	Description	Qty.
1	03467A	CLIP, Vacuum housing	4
2	53148	MANIFOLD, Intake	1
3	23542	SEAL, 0.31" x 30.50" (7.9 x 777 mm)	1
4	56481	IMPELLER	1
5	54304A	HOUSING, Impeller	1
6	54274	ISOLATOR, Vibration	4
7	54275A	PLATE, Motor mounting	1
8	*77110	MOTOR, Vacuum fan (includes hardware)	1
	SK2561	SEAL KIT	1
9	47069	SLEEVE	1
10	36907	ADAPTER, Hose	1
11	36906	BRACKET, Hose adapter	1
12	23498	CLAMP, Wormdrive	2
13	23481	HOSE	1
	55017	MUFFLER ASSEMBLY, Fan	1
14	55726	MUFFLER, Fan	1
15	54271	SEAL, Foam rubber, 3.3" (84 mm)	2
16	54272	SEAL, Foam rubber, 6.6" (168 mm)	2
17	54268	INSULATION, Muffler, top	2
18	54270	INSULATION, Muffler, side	2
19	T5951	WASHER, Flat, 0.38"	1

\*Note: Before serial number 7701, vacuum fan motor was 53923. To replace 53923, order SK2560. Seal kit for both motors is SK2561.

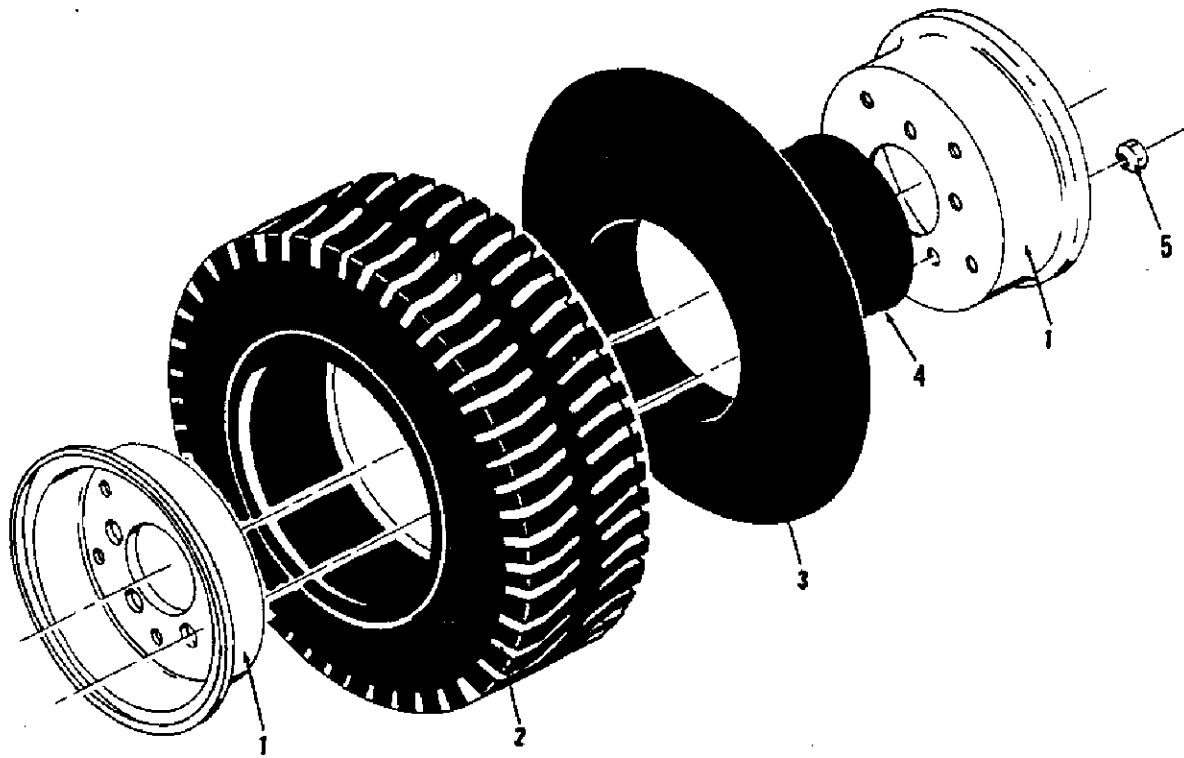


Fig. 11 - REAR WHEEL ASSEMBLY

Ref. No.	TENNANT Part No.	Description	Qty.
1	47550	WHEEL ASSEMBLY	1
2	53818	RIM ASSEMBLY	1 pr.
3	47525	TIRE	1
4	53819-1	TUBE, Inner	1
5	53819-2	FLAP, Tire-tube	1
	24339	NUT, Wheel	5

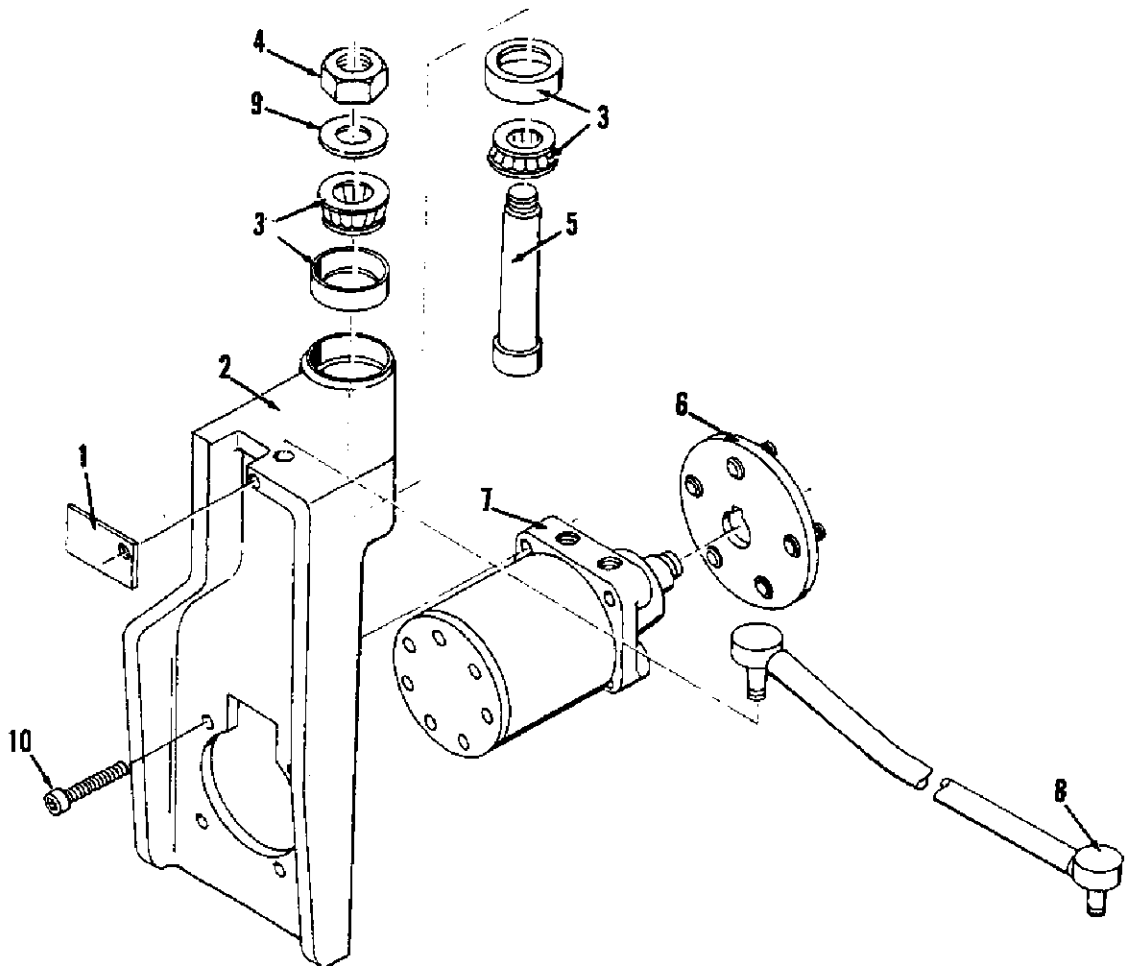


Fig. 12 - REAR DRIVE MOTOR & RELATED PARTS

Ref. No.	TENNANT Part No.	Description	Qty.
1	53528	BAR, Support, drive casting	1
2	53525A	SUPPORT, Drive casting	1
3	49225	BEARING CONE & CUP ASSEMBLY (includes 2 bearings and 2 cones)	1
4	14242	NUT	1
5	24984	PIN, Support	1
6	53893	HUB & STUD ASSEMBLY	1
	24338	STUD	5
7	53032	MOTOR, Hydraulic (Ross)	1
	SK1140A	SEAL KIT	1
8	53481	DRIVE LINK	1
9	47719	WASHER	1
10	39305	SCREW	4

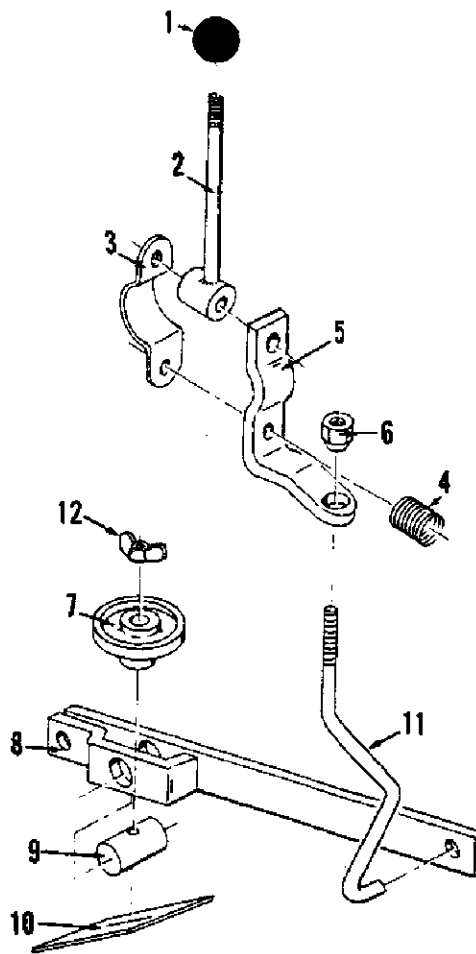


Fig. 13 - BRUSH LIFT CONTROLS

Ref. No.	TENNANT Part No.	Description	Qty.
1	26156	KNOB	1
2	23304	HANDLE	1
3	23306-1	CLIP	1
4	14174	SPRING	1
5	23307-1	LEVER, Lift handle	1
6	24339	NUT, 0.50" - 20	1
7	51452	KNOB	1
8	53876	ARM, Lift	1
9	51391	PIN, Swivel	1
10	53906	SEAL, Rubber	1
11	53182	ROD, Lift	1
12	G137156	NUT, Wing	1

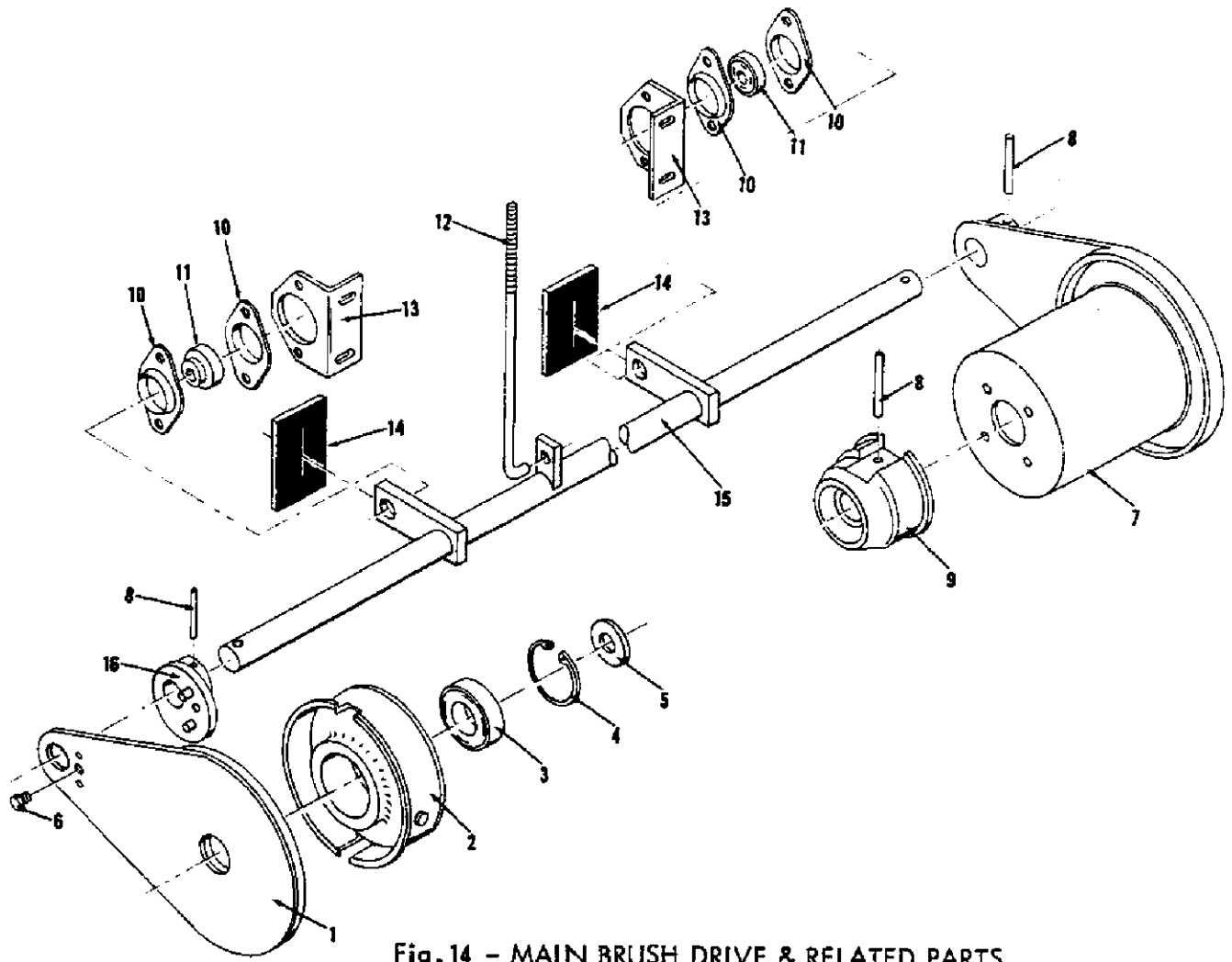
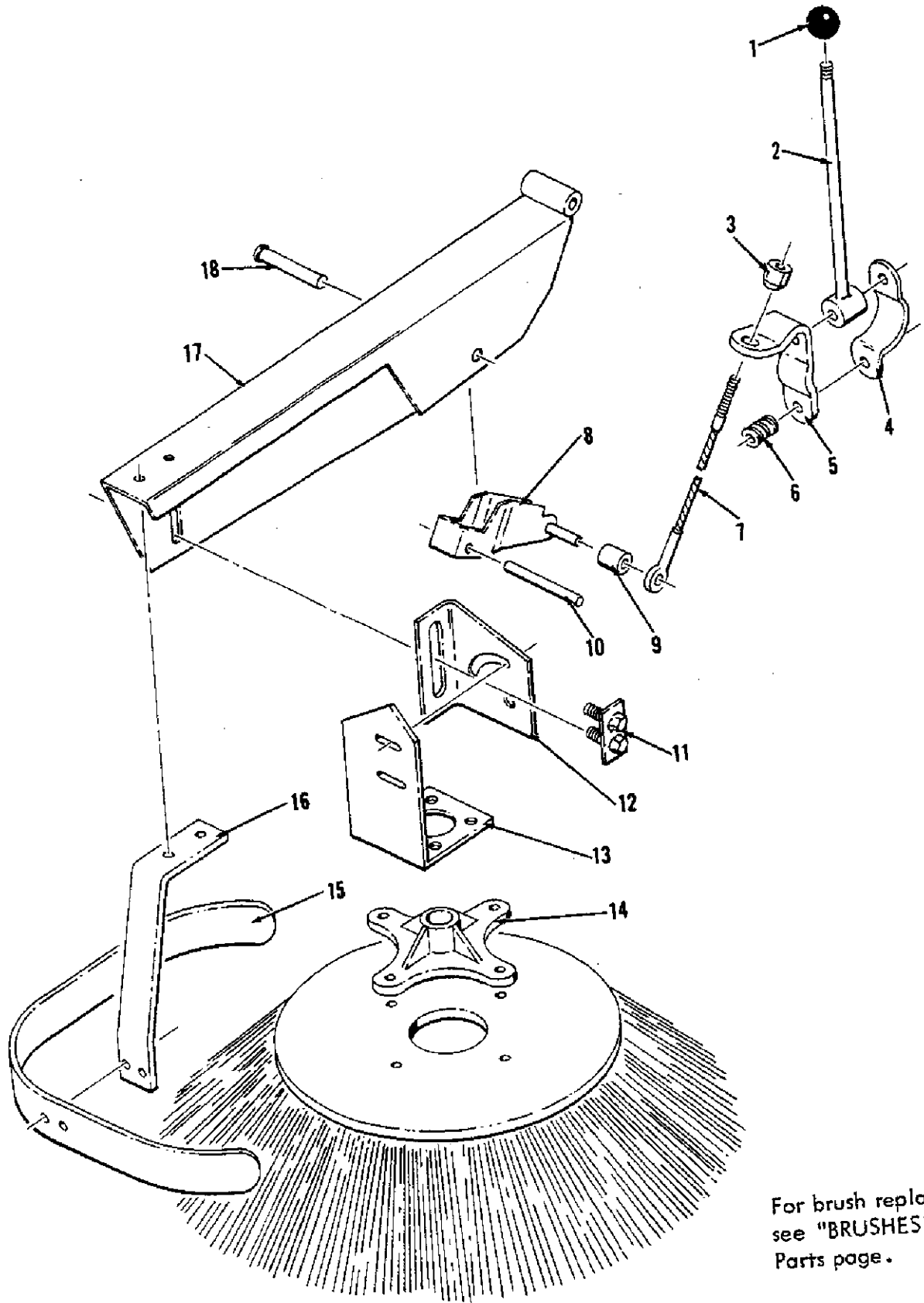


Fig. 14 - MAIN BRUSH DRIVE & RELATED PARTS

Ref. No.	TENNANT Part No.	Description	Qty.
	53187	ARM & PLUG ASSEMBLY, Brush, right hand	1
1	53168	ARM, Brush, right hand	1
2	51984	PLUG ASSEMBLY, Brush idler	1
3	24899	BEARING, Ball	1
4	51046	RING, Retaining	1
5	51564	WASHER	1
6	53985	PLUG, Threaded	1
7	53169	ARM, Brush, left hand	1
8	20050	PIN, Roll, 0.31" x 1.88" (7.9 x 47.8 mm)	3
9	51036	PLUG, Drive	1
10	* 35973	FLANGE	4
11	* 23624	BEARING	2
12	35677	ROD, Lift	1
13	* 50521	BRACKET	2
14	53906	SEAL, Rubber	2
15	35674	SHAFT, Counter	1
16	53138	HUB ASSEMBLY, Brush	1

Note: To replace previous flange, bearing, and bracket, order SK2361.



For brush replacement  
see "BRUSHES"  
Parts page.

Fig. 15 - SIDE BRUSH SUPPORT & DRIVE  
26

9/79

Fig.15 - SIDE BRUSH SUPPORT AND DRIVE

Ref. No.	TENNANT Part No.	Description	Qty.
1	26156	KNOB, Lift lever	1
2	23304	LEVER, Brush lift	1
3	23293	NUT, Adjusting (for top 23294)	1
4	23306-1	CLIP, Lift arm	1
5	23307-1	ARM, Lift	1
6	14174	SPRING	1
7	23294	CABLE, Lift, side brush	1
8	23503A	YOKE, Lift, side brush	1
9	22143	SPACER (for 23503A)	1
10	23536	PIN, Pivot	1
11	46347	LUG, Side brush	1
12	24207	BRACKET, Angle adjusting	1
13	43228	BRACKET, Motor mounting	1
14	47501	ADAPTOR, Brush	1
15	46034	BUMPER, Side brush	1
16	46033	SUPPORT, Bumper	1
17	48062-1	ARM, Side brush support	1
18	23191	PIN, Clevis, 0.38" x 3" (9.7 x 76 mm)	1

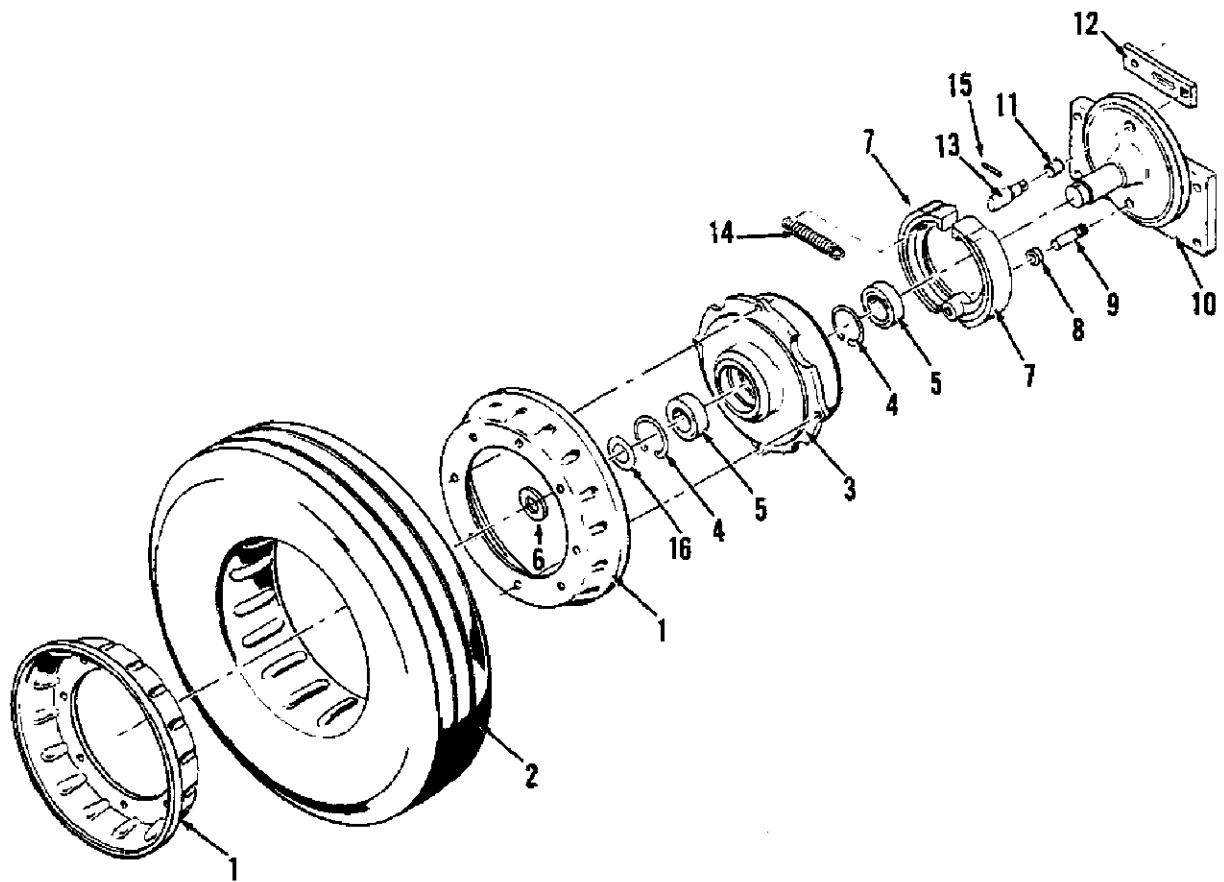


Fig. 16 - FRONT WHEEL & BRAKE ASSEMBLY

Ref. No.	TENNANT Part No.	Description	Qty.
	47093	FRONT WHEEL ASSEMBLY	2
1	23411	DISC , Wheel	2
2	47094	TIRE, Zero pressure, front	1
3	23332	HUB, Front wheel	1
4	23244	RING, Retaining	2
5	13534	BEARING	2
6	09006	WASHER, Wheel retaining	4
	46806-2	FRONT AXLE ASSEMBLY	2
7	10414	SHOE, Brake (2 per wheel)	4
8	10415	SPACER, Heel pin	2
9	10413	PIN, Heel	2
10	23286-2	AXLE & BUSHING ASSEMBLY	1
11	24992	BUSHING	1
12	23484	ARM, Brake	2
13	23272	CAM, Brake	2
14	09758	SPRING	2
15	20021	PIN, Roll	2
16	33517	SPACER	4

7/83



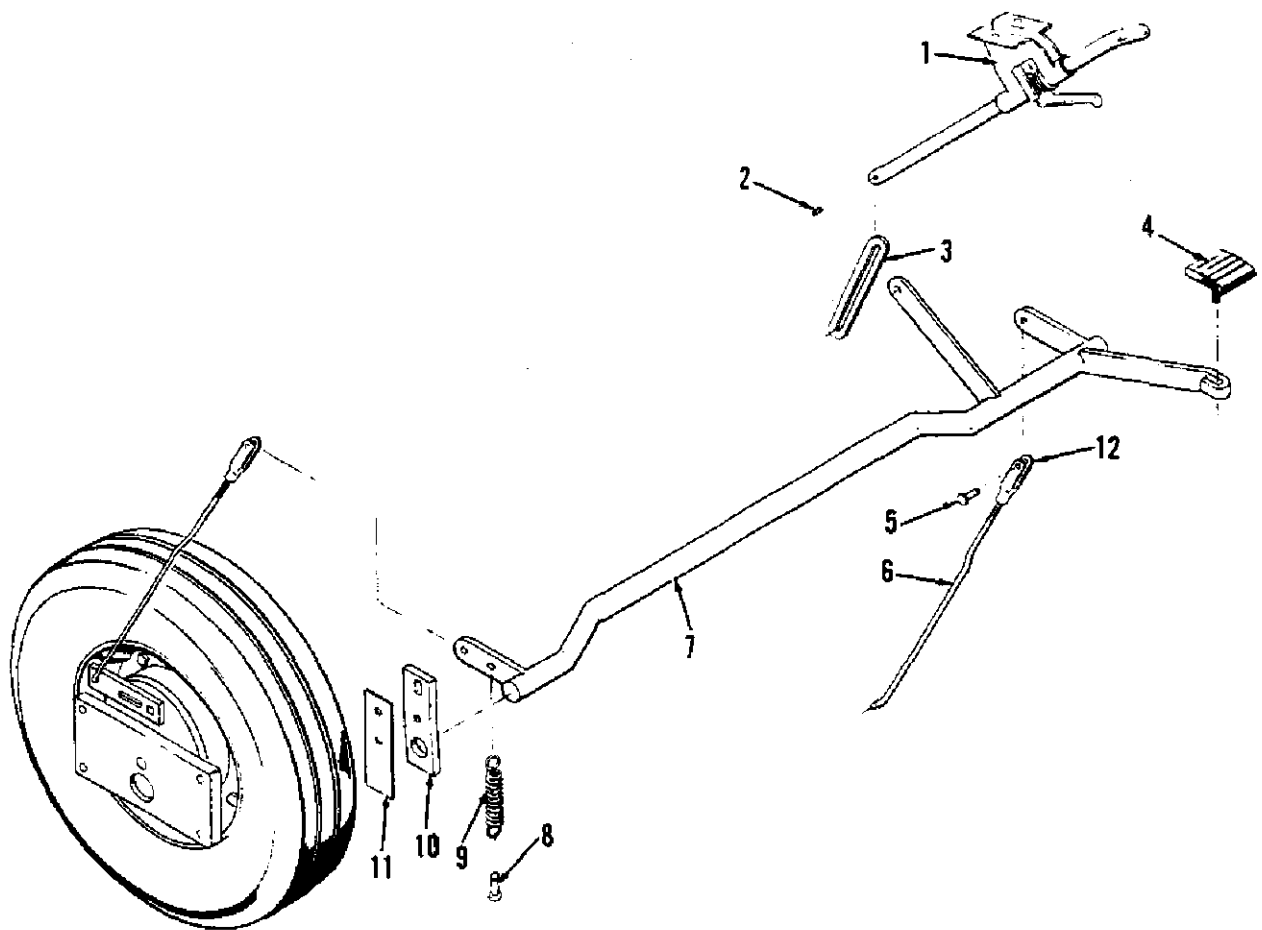


Fig. 17 - HANDBRAKE & FOOT BRAKE ASSEMBLY

Ref. No.	TENNANT Part No.	Description	Qty.
1	36913	HAND BRAKE ASSEMBLY	1
	03560	SPRING	1
	10677	PIN, Roll	1
	24245	SUPPORT	1
	24246-1	LEVER	1
	35671	ROD	1
	24258	WASHER	2
2	18141	PIN, Roll	1
3	23529A	STRAP	1
4	07142	PAD, Pedal	1
5	14605	PIN, Clevis, 0.25" x 0.75" (6.4 x 19 mm)	1
6	23483-2	ROD, Adjustment	2
7	35676	SHAFT, Brake	1
8	28296	PIN, Clevis, 0.25" x 0.50" (6.4 x 12.7 mm)	1
9	03091	SPRING	1
10	23280-2	HANGER, Brake shaft	2
11	23758-1	SHIM, Hanger (for 23280-2)	As req.
12	14595-1	CLEVIS, Adjustable	2

For breakdown of tire, wheel and brake see "Front Wheel and Brake" page.

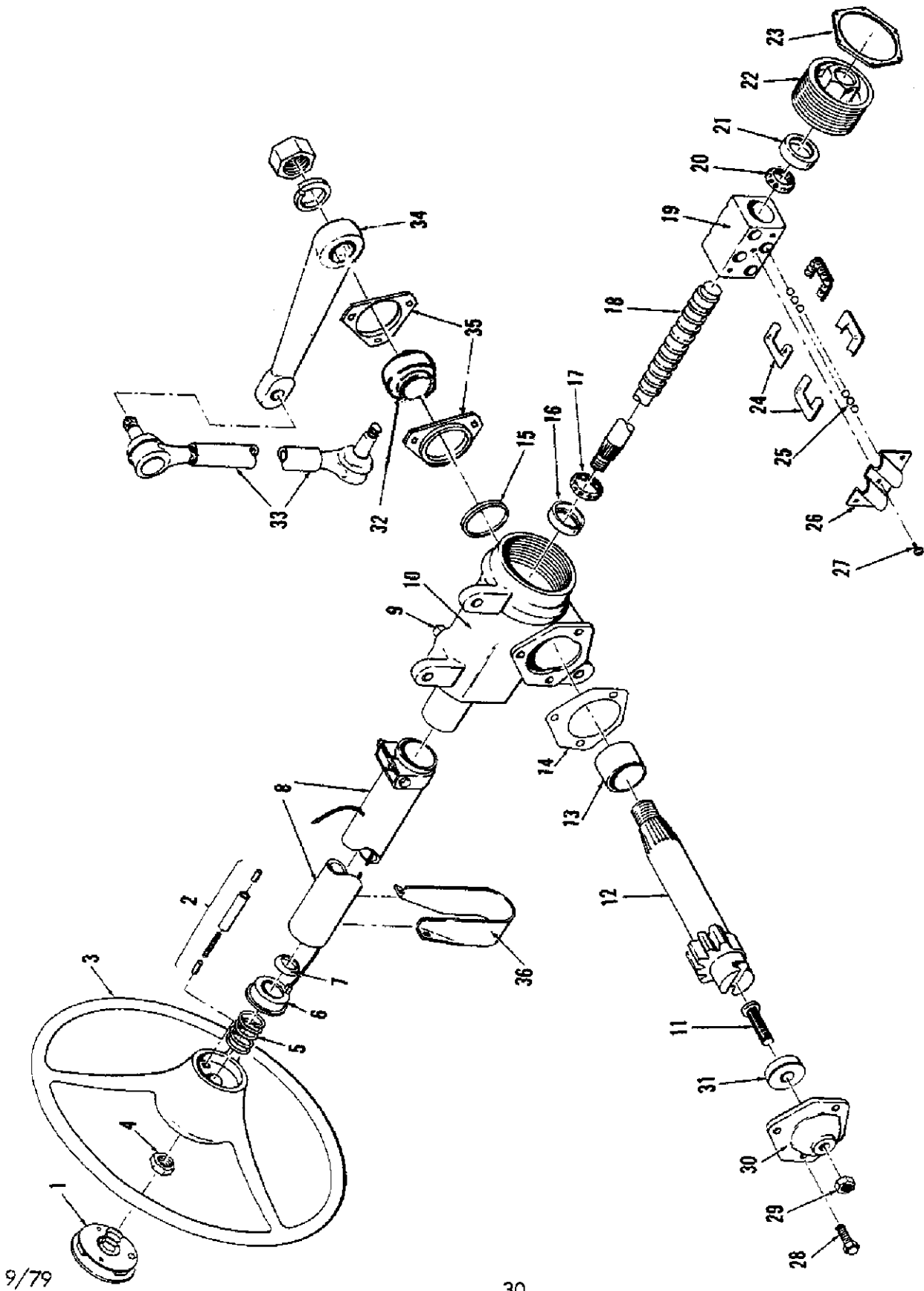


Fig. 18 - STEERING & RELATED PARTS

9/79

30

Fig. 18 - STEERING & RELATED PARTS

Ref. No.	TENNANT Part No.	Description	Qty.
1	47010	BUTTON, Horn	1
2	47011	BRUSH UNIT, Horn	1
3	47008	WHEEL, Steering	1
	47007	* COLUMN & GEAR ASSEMBLY	1
4	114496	NUT, Steering wheel (0.5" - 20 jam nut)	1
5	264832	SPRING	1
6	5695951	BEARING & CABLE ASSEMBLY	1
7	264831	SEAT, Spring	1
8	5695956	COLUMN	1
9	103868 or 444746	PLUG, Filler	1
10	5692532	HOUSING	1
11	7802482	ADJUSTER, Lash	1
12	7812838	SECTOR AND SHAFT ASSEMBLY	1
13	266316	BUSHING, Sector shaft	1
14	566734	GASKET	1
15	7801626	SEAL	1
16	5666683	CUP, Upper worm bearing	1
17	5666693	BEARING, Upper ball	1
18	5695954	WORMSHAFT	1
19	5666886	NUT, Ball	1
20	5666693	BEARING, Lower ball	1
21	5666683	CUP, Lower worm bearing	1
22	5666681	WORM BEARING ADJUSTER	1
23	5676217	LOCKNUT, Worm bearing adjuster	1
24	5666887	BALL GUIDE	4
25	266800	BALLS	54
26	5666888	CLAMP, Ball guide	1
27	187375	SCREW, Ball guide clamp	1
28	7807009	BOLTS, Side cover	3
29	114495	LOCKNUT, Lash adjuster (0.4"-20 jam nut)	1
30	7802483	HOUSING SIDE COVER & BUSHING ASSY.	1
31	266903, 5, 7, 9	SHIM, Lash adjust	1
32	** 48050-1	BEARING	1
33	53481	LINK	1
34	53482	ARM, Steering, front	1
35	** 51449	RETAINER, Bearing	1
36	23315-2	SUPPORT, Steering column	1
	09385	CLAMP, Cable	1

\* COLUMN & GEAR ASSEMBLY part no.'s are Saginaw part no.'s.

\*\* Note: Bearing #48050-1 was 53043 and Retainer #51449 was 53044.  
For Field Replacement of old bearing or retainer, order SK2360.

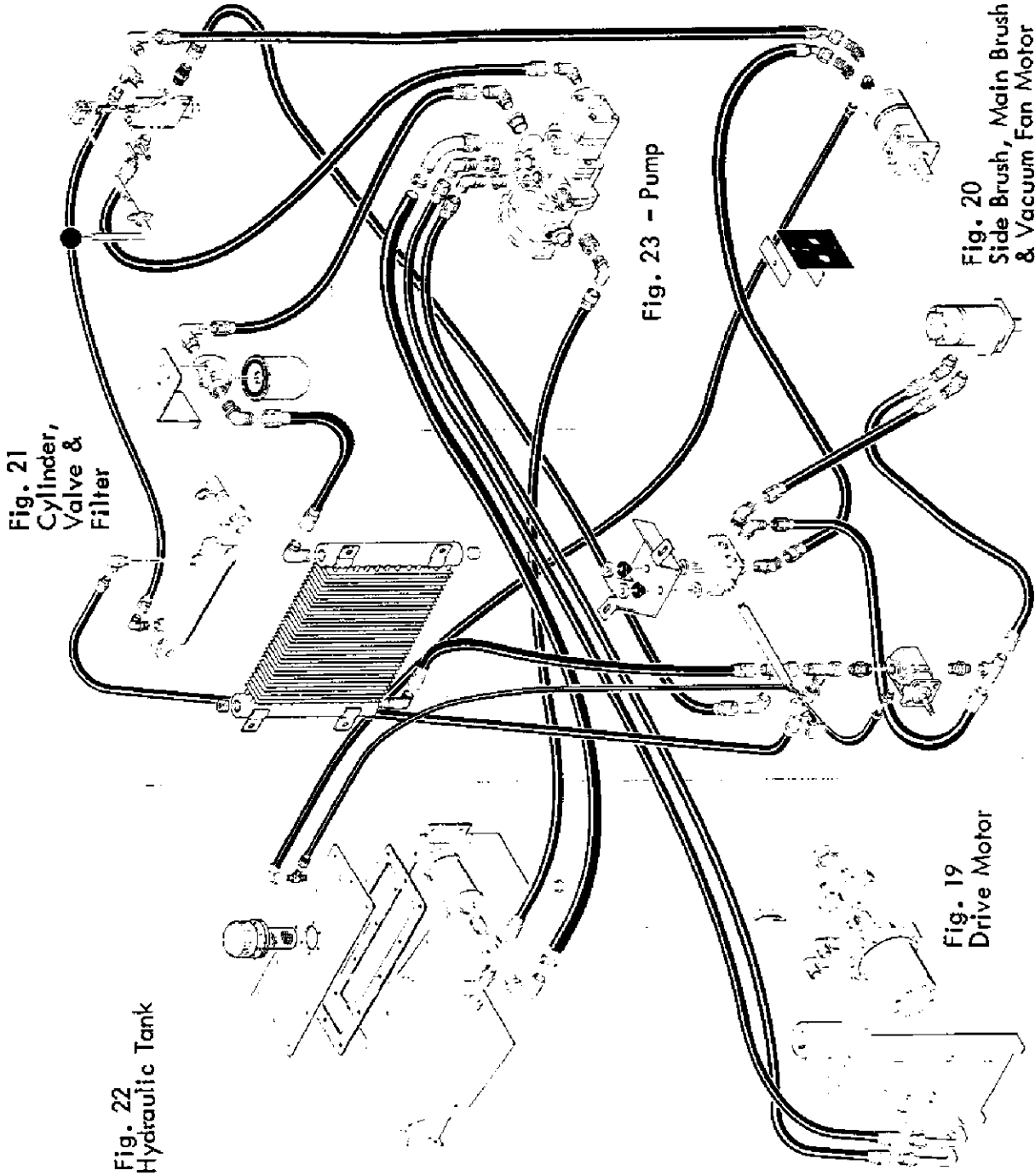


Fig. 21  
Cylinder,  
Valve &  
Filter

Fig. 22  
Hydraulic Tank

Fig. 23 - Pump

Fig. 20  
Side Brush, Main Brush  
& Vacuum Fan Motor

Fig. 19  
Drive Motor

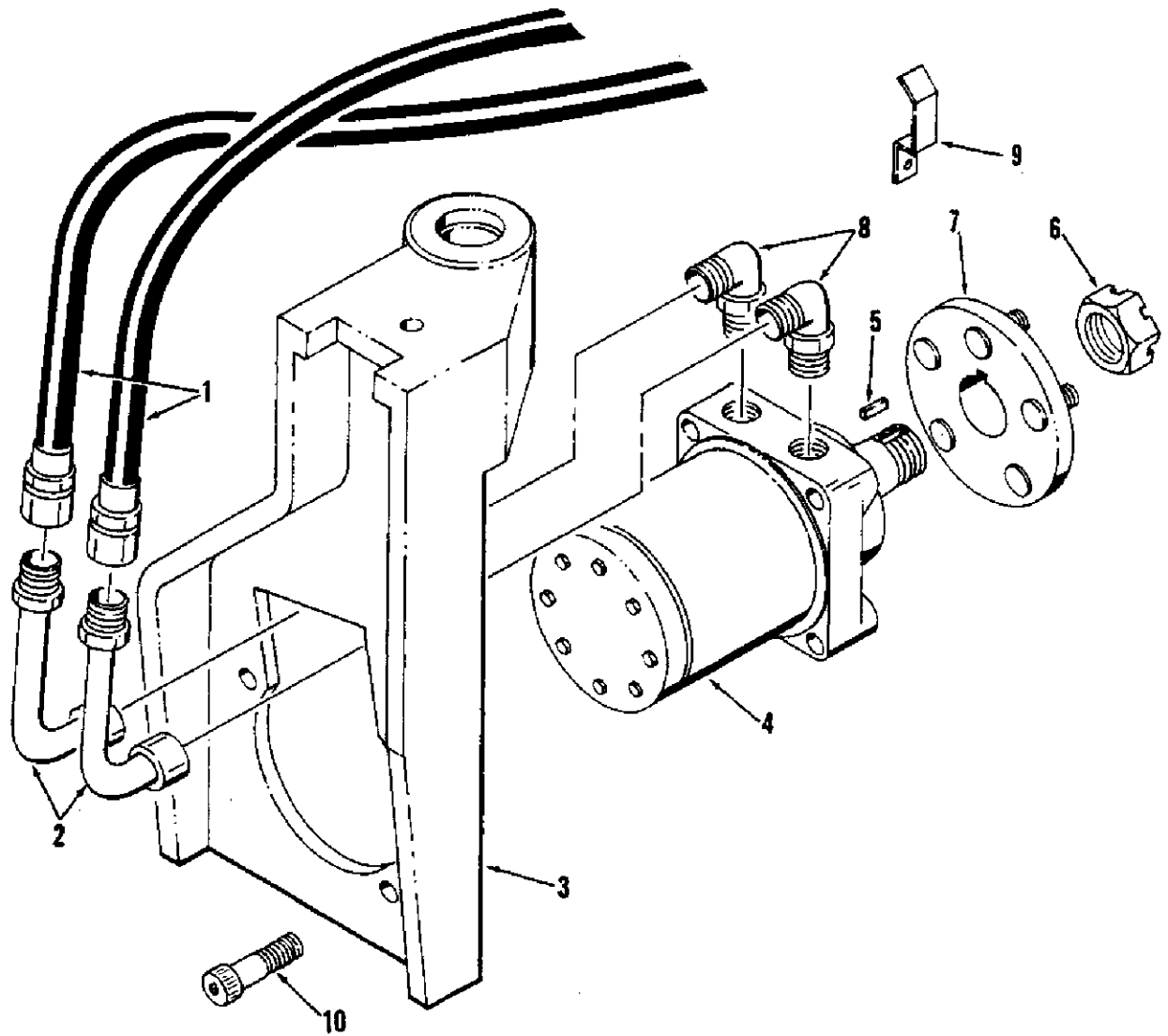


FIG. 19 - DRIVE MOTOR & RELATED PARTS STD. 265 WITH VICKERS PUMP

Ref. No.	TENNANT Part No.	Description	Qty.
1	53084-3	HOSE	2
2	53004	TUBE	2
3	53525A	SUPPORT, Drive motor	1
4	53032	MOTOR, Drive	1
	SK1140A	SEAL KIT	1
5	039027*	KEY	1
6	025126*	NUT	1
7	53893	HUB & STUD ASSEMBLY	1
	24338	STUD	5
8	51782	ELBOW	2
9	54217	CLAMP, Hose	1
10	39305	SCREW, Socket head (0.50" x 13 x 2.75")	4

\*Ross Company Part Number.

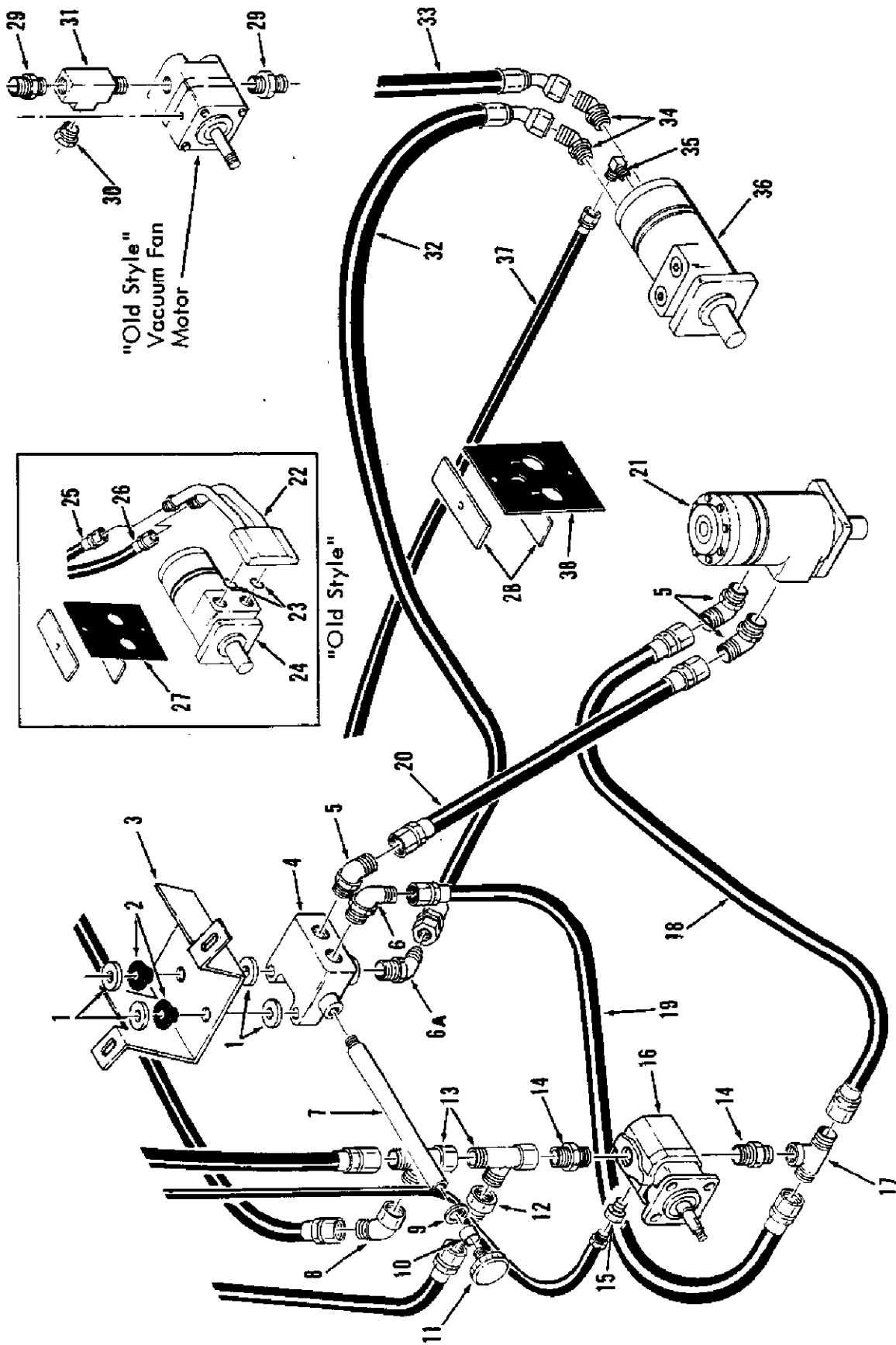


FIG. 20 - SIDE BRUSH, MAIN BRUSH, & VACUUM FAN MOTOR

FIG. 20 - SIDE BRUSH, MAIN BRUSH, & VACUUM FAN MOTORS

Ref. No.	TENNANT Part No.	Description	Qty.
1	30013	WASHER	4
2	54274	ISOLATOR, Vibration	2
3	54722A	BRACKET, Sidebrush valve mounting	1
4	48108A	VALVE, Sidebrush shutoff, Gresen	1
	SK1288	SEAL KIT	1
	48108B	VALVE, Sidebrush shutoff, Dukas (obsolete)	1
	SK1806	SEAL KIT	1
5	44936	ELBOW, 45°	3
6	51782	ELBOW	1
6A	44936	*ELBOW, 45°	1
6A	47513	ELBOW, 45°	1
7	32165	ROD, Valve control	1
8	54194	ELBOW, 45° (no longer used)	1
9	10632-9	WASHER, Valve rod, rubber	1
10	46564	BUSHING (no longer used)	1
11	48108A-1	KNOB, Valve handle	1
12	47754	CONNECTOR	1
13	51779	TEE	2
14	47518	CONNECTOR	2
15	76835	CONNECTOR	1
16	77110	**MOTOR, Vacuum fan (includes hardware)	1
	SK2561	SEAL KIT	1
17	50421	TEE	1
18	53083-6	HOSE	1
19	52908	HOSE	1
20	53083-18	HOSE	1
21	47542	MOTOR, Sidebrush, Ross	1
	SK1694	SEAL KIT	1
	47650-12	MOTOR, Sidebrush, Char-Lynn	1
	SK1600	SEAL KIT	1
22	62302	*BLOCK, Porting	1
23	51403	*O-RING	2
24	SK2810	*MOTOR, Mainbrush, Ross	1
	SK1694	SEAL KIT	1
	SK2810	*MOTOR, Mainbrush, Char-Lynn	1
	SK1600	SEAL KIT	1
25	53083-2	*HOSE	1
26	53083-3	*HOSE	1
27	32103	***SEAL, Hose	1
28	53489	***STRIP, Hose seal retaining	2
29	46607	+CONNECTOR	2
30	47721	+CONNECTOR	1
31	17400-11	+TEE	1
32	16463	HOSE	1
33	16473	HOSE	1
34	42226	ELBOW, 45°	2
35	82825	ELBOW	1
36	34423	MOTOR, Mainbrush, Char-Lynn	1
37	16474	HOSE	1
38	82799	SEAL, Hose	1

\* Used on machines with serial number up to and including 9002.

\*\* SK2560 replaces motor on machines with S/N below 7700-Seal Kit is SK2561 for both.

\*\*\* Machines with serial number up to and including 6817, order SK2386.

1/84 + Used with obsolete vacuum fan motor before serial number 7700.

FIG. 21 - HYDRAULIC CYLINDER, VALVE & FILTER PARTS GROUP

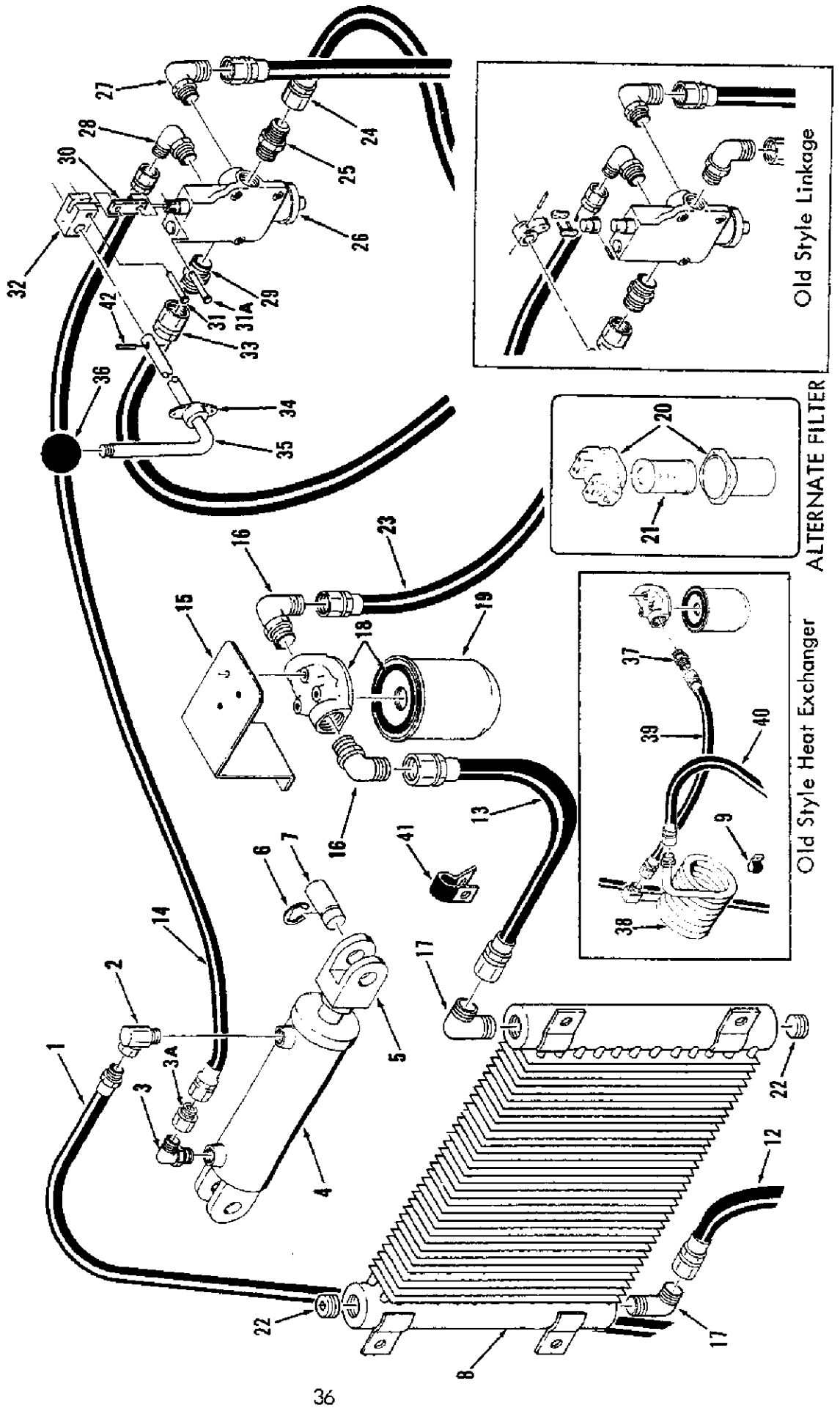




FIG. 21 - HYDRAULIC CYLINDER, VALVE & FILTER PARTS GROUP

Ref. No.	TENNANT Part No.	Description	Qty.
1	53081-4	HOSE	1
2	15232	ELBOW	1
3	+56820	ELBOW, Restrictor	1
3A	+32754	RESTRICTOR	1
4	53477	CYLINDER, Dump (Std Green) Seal Kit SK1522	1
	69330-5	CYLINDER, Dump (Alt Tennant) Seal Kit SK 1573	1
5	48929	CLEVIS	1
6	23788	RING, Retaining	2
7	23145	PIN, Clevis	2
8	78227	HEAT EXCHANGER	1
9	26395-1	CLAMP, Cable	1
12	53083-10	HOSE	1
13	53083-5	HOSE	1
14	47825	HOSE	1
15	54879	BRACKET, Oil filter mounting	1
16	53076	CONNECTOR	2
17	46611	ELBOW	2
18	67718	FILTER, Hydraulic oil (Std Deluxe)	1
19	67718-2	ELEMENT, Oil filter	1
20	53348B	FILTER, Hydraulic oil (Alt Ripley) (O-Ring #DH1004)	1
21	53348-1	ELEMENT, Oil filter	1
22	05178	PLUG, Oil cooler	2
23	52908	HOSE	1
24	53083-20	HOSE	1
25	51782	CONNECTOR (for Cross Valve use 53076)	1
26	62550	VALVE, Dukes	1
	SK1863	SEAL KIT	
	48337	** VALVE, Obsolete Dukes	1
	SK1540	SEAL KIT	1
	48290	** VALVE, Obsolete Cross	1
	SK1447	SEAL KIT	1
27	32385	ELBOW (use 56827 before serial no. 9003 )	1
28	47512	ELBOW	1
29	46480	CONNECTOR, Dukes (obsolete Cross is 42223)	1
30	32751	* LINK, Valve handle	1
31	51727	* PIN, Clevis	1
31A	14605	* PIN, Clevis	1
32	32750	* LEVER, Valve control	1
33	53083-14	HOSE	1
34	47585	BEARING, Valve handle	1
35	54054	HANDLE, Valve control	1
36	26156	KNOB	1
37	42223	CONNECTOR, Old style	1
38	53086	HEAT EXCHANGER, Old style (before s/n 8157)	1
39	51753-1	HOSE, Old style	1
40	52908	HOSE, Old style	1
41	26395	CLAMP, Hose	2
42	28270	PIN, Roll	

\*Machines with serial number up to and including 7899, order SK2563.

\*\*To replace obsolete valves, order SK2552.

+Machines with serial number up to and including 8325, order SK2703 to replace connectors.

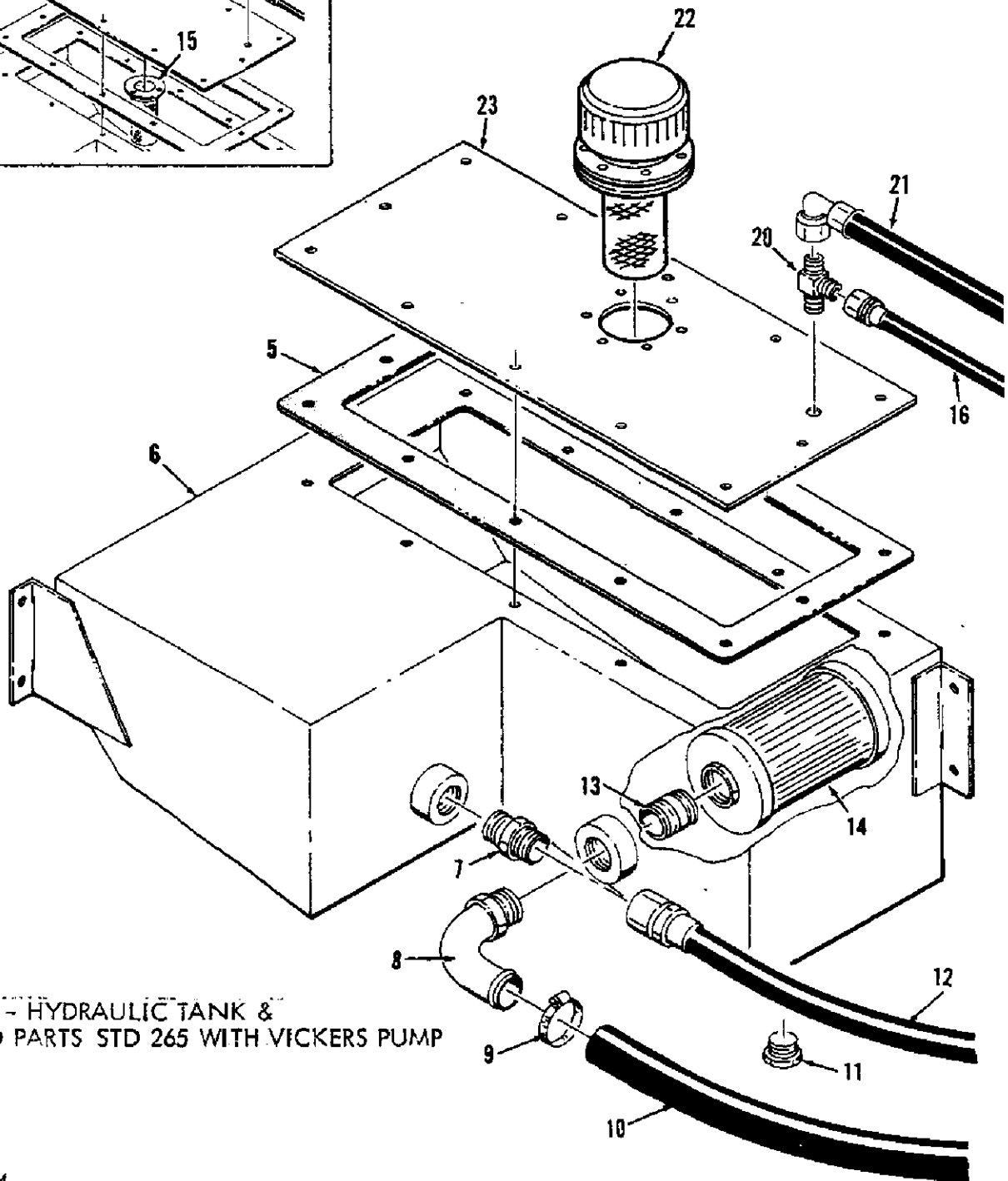
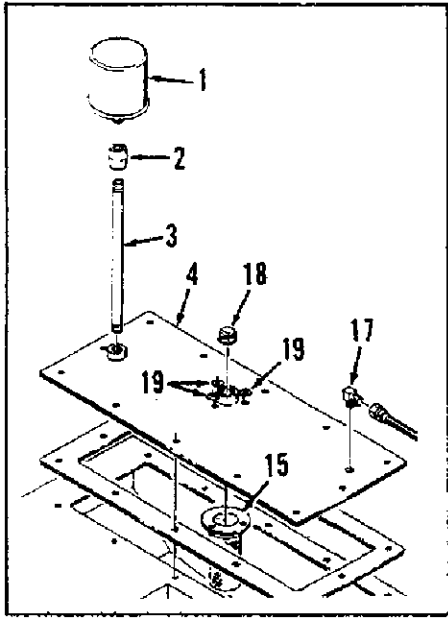


FIG. 22 - HYDRAULIC TANK & RELATED PARTS STD 265 WITH VICKERS PUMP

1/84

FIG. 22 - HYDRAULIC TANK & RELATED PARTS MODEL 265

Ref. No.	TENNANT Part No.	Description	Qty.
1	*53430	BREATHER, Hydraulic tank relief valve	1
	*53431	ELEMENT, Breather filter	1
2	*10222	COUPLING	1
3	*10221	NIPPLE	1
4	*SK2720	COVER, Hydraulic tank	1
5	33753	GASKET, Cover, hydraulic tank	1
6	54873	TANK, Hydraulic	1
7	46480	CONNECTOR	1
8	47695	ELBOW	1
9	29696	CLAMP	1
10	32375	HOSE	1
11	40362	PLUG, Drain	1
12	53083TO4	HOSE	1
13	02546	NIPPLE, Close	1
14	51885	STRAINER, Oil sump intake	1
15	*48086	SCREEN, Hydraulic tank	1
16	56322	HOSE	1
17	*06507	ELBOW	1
18	*48117	PLUG, Filler	1
19	*50022	WASHER	3
20	34369	TEE	1
21	16474	HOSE	1
22	34306	CAP, Filler breather	1
23	33574	COVER, Hydraulic tank	1

\* Used on machines with serial number up to and including 8972.

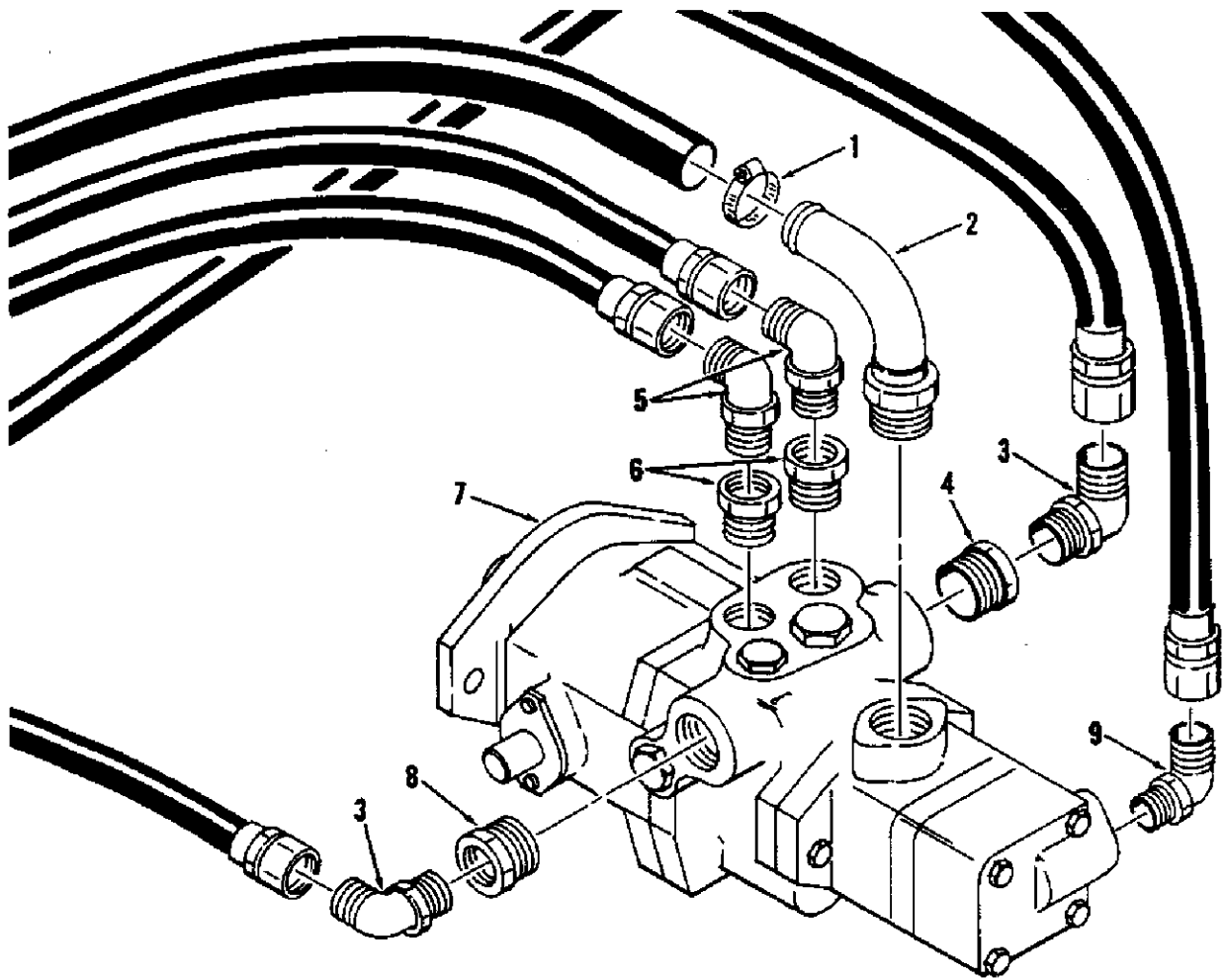


FIG. 23 - VICKERS PUMP AND RELATED PARTS-STD.265 WITH VICKERS PUMP

FIG. 23 - HYDRAULIC PUMP & RELATED PARTS-STD.265 WITH VICKERS PUMP

Ref. No.	TENNANT Part No.	Description	Qty.
1	29696	CLAMP, Wormdrive	1
	50312A	PUMP ASSEMBLY, Hydraulic oil	1
2	47696	ELBOW	1
3	53076	ELBOW	2
4	47934	CONNECTOR	1
5	51782	ELBOW	2
6	47516	CONNECTOR	2
7	47925	PUMP, Complete tandem	1
		(For parts breakdown see "Hydraulic Components Section"	
8	50430	CONNECTOR	1
9	56827	ELBOW	1

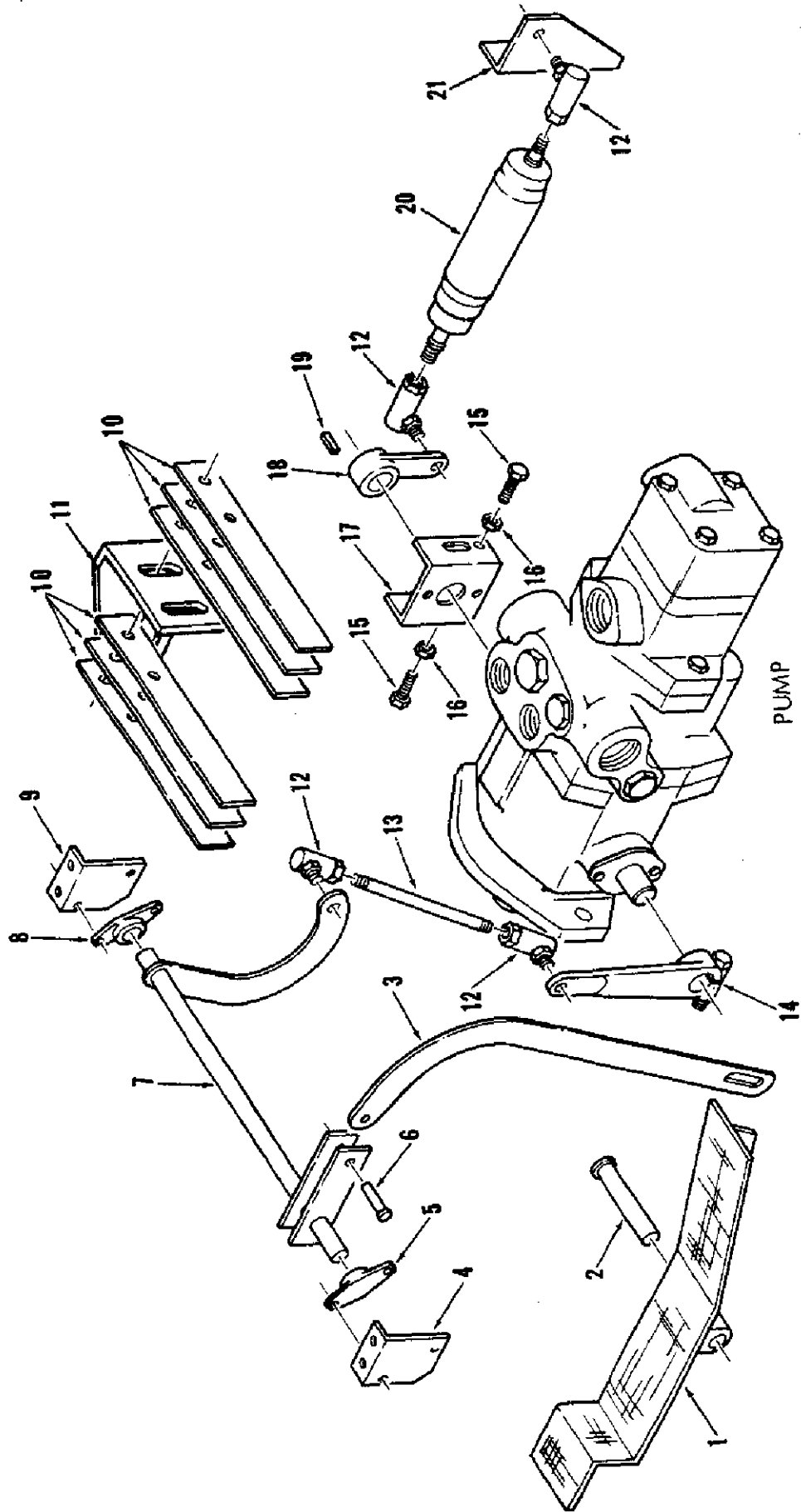
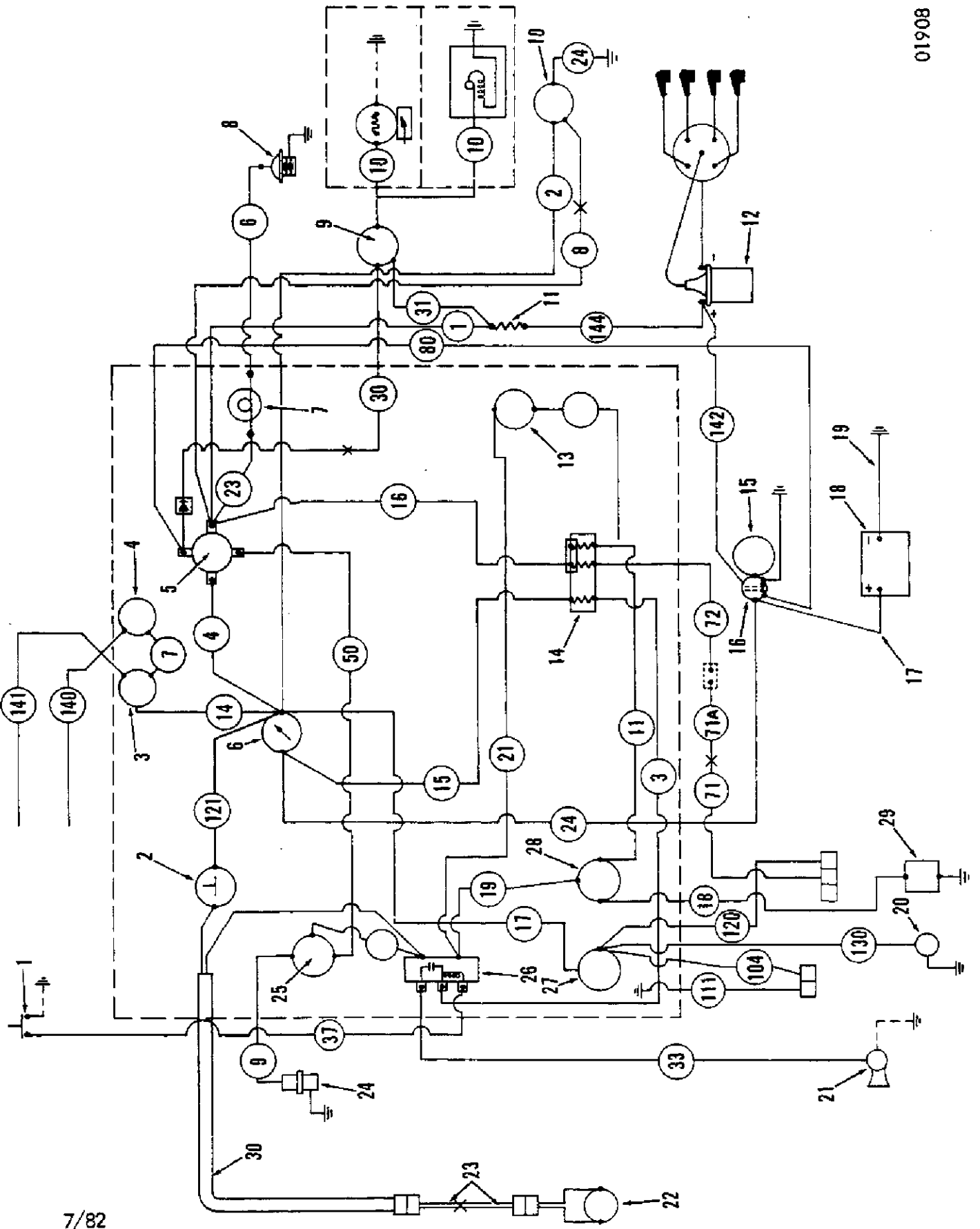


FIG. 24 - PUMP CONTROL LINKAGES

Ref. No.	TENNANT Part No.	Description	Qty.
1	42240	PEDAL, Foot control	1
2	06474A	PIN, Clevis	1
3	36956	ARM	1
	47762	SUPPORT ASSEMBLY, Control rod R.H.	1
4	53351A	SUPPORT, Control rod	1
5	53352	BEARING, Control rod	1
6	09088	PIN, Clevis	1
7	35680	ROD, Pump control	1
	47762-1	SUPPORT ASSEMBLY, Control rod L.H.	1
8	53351A	SUPPORT, Control rod	1
9	53352	BEARING, Control rod	1
10	49681	SPRING, Pump arm centering	6
11	19840	SUPPORT, Pump centering spring	1
12	14506	BALLJOINT	4
13	47931	ROD, Pump control	1
14	50426	ARM, Pump control	1
15	-	BOLT, Hex cap (0.25" - 20 x 1")	2
16	-	NUT (0.25" - 20)	2
17	47938	BRACKET, Speed limiter	1
18	47937	ARM	1
19	00911	KEY	1
20	62700	SHOCK ABSORBER (no longer used)	1
21	47939	MOUNT, Shock absorber	1



01908



FIG. 25 - ELECTRICAL SYSTEM

Ref. No.	TENNANT Part No.	Description	Qty.
1	47010	BUTTON, Horn	1
2	44078	SWITCH, Shaker	1
3	14137	SWITCH, Flashing-rotating light (accessory)	1
4	24576	FLASHER, Flashing light (accessory)	1
5	62530	SWITCH, Ignition	1
	62530-1	KEY, Ignition	1
6	54180	AMMETER	1
7	68222	LIGHT, Oil pressure indicating	1
8	37351	SWITCH, Oil pressure sending	1
9	51805	SWITCH, Oil pressure (LP machines only)	1
10	58536	ALTERNATOR	1
11	54911-15	RESISTOR, Bias (Ford)	1
12	54911-11	COIL, Ignition	1
13	24518	HOUR METER	1
	28838	DAMPER, Hour meter	1
14	44080	BLOCK, Fuse	1
	14215	FUSE, 20 AMP	5
15	54911-4	MOTOR, Starter	1
16	SK2460	SOLENOID, Starter	1
17	29830-9	CABLE, Battery (positive)	1
18	37183	BATTERY	1
19	40681-1	CABLE, Battery (negative)	1
20	GE1141	BULB, Spotlight	1
21	14138A	HORN	1
22	54121	MOTOR, Filter, shaker	1
23	53028-1	LEAD, Shaker motor	1
24	78005-2	SENDING UNIT, Temperature	1
25	50330	GAUGE, Temperature	1
26	32300	RELAY, Horn	1
27	14137	SWITCH, Light	1
28	47472	GAUGE, Fuel	1
29	47473	SENDING UNIT, Fuel gauge	1
	54875A	WIRE KIT LP	1
	54418 B	WIRE HARNESS	1
	50302	WIRE HARNESS	1
30	24108	LEAD, Shaker motor	1
	54911-30	STRAP, Coil	1
	54911-31	WIRE, High tension	1
	50387	WIRE KIT, incl. wires: 12 & 23	1
	09385	CLAMP, Cable	1

MODEL 265 DECAL REPLACEMENT KIT 33638

TENNANT Part No.	Description	Qty.
24669	Decal, Fram Air Cleaner	1
51368	Decal, Warning-Keep Radiator Fins Clean	1
48242	Decal, Alternator	1
53299	Decal, Throttle	1
47852	Decal, Caution, Battery Leads	2
19048	Decal, Gasoline Only	1
68223	Decal, Oil Temp	1
51773	Decal, Main Brush Lift	1
65072 (Hi-Dump only)	Decal, Caution, Hopper	1
54517	Decal, Roll In-Out	1
23144 (Sweepers)	Decal, Tire Pressure	1
54299 (Scrubbers)	Decal, Tire Pressure	1
55373	Decal, Caution-Safety Arm	2
54896	Decal, 265	2
46193	Decal, TENNANT, Blue green background	1
54103	Decal, Filter Service	1
50310A	Data Plate	1
37089 (Hi-Dump only)	Decal, Caution, Travel Slowly	1
53920	Decal, Filter Shaker	1
47682	Decal, Valve	1
54918	Decal Kit (consists of '265' & 'TENNANT')	1
55375 (Hi-Dump only)	Decal, Caution, Stay Clear	2
10735	Decal, Data Plate, UL Label, LP	1
45579	Decal, Factory Mutual, Type "G"	1
45580	Decal, Factory Mutual, Type "LP"	1
24049	Data Plate, LP	1
54911-7	Decal, Service Information	1
54911-6	Decal, Heavy Duty-Ford	1
45851	Decal, Hydraulic Oil	1
48088-6	Decal, Instructions	1
45742-1	Decal, TENNANT, Black letters	1
45742-2	Decal, TENNANT, Black letters	1
24507	Decal, Caution, This Side Out	1
53348B-2	Decal, Filter Element	1
50560-2	Decal for Pump 50560	1
53733-3	Decal for Motor 53733	1
53733-2	Decal for Motor 53733-1	1
62550-1	Decal for Valve 62550	1
69181-4	Decal for Pump 69181	1
47454	Decal, UL Type "Gas"	1
54135 (Std. only)	Decal, Vacuum Attachment	1
24787 (Std. only)	Decal, Windro Broom	1
46276 (Std. only)	Decal, Scrubber	1
44695 (Std. only)	Decal, Scrubber instructions	1
46847 (Std. only)	Decal, Detergent Recommended	1
50530-2 (Std. only)	Decal for Pump 50530	1
24892 (Std. only)	Data Plate, Machine Attachment, Scrubber	1
24892-2 (Std. only)	Data Plate, Machine Attachment, Broom	1
24892-3 (Std. only)	Data Plate, Machine Attachment, Snow	1
43566 (Std. only)	Decal, Water Control	1
62088	Decal, Caution - rotating fan	1
36603	Decal, Patent - power sweeper	1
47892	Decal, Caution	2

# 265 HI-DUMP POWER SWEEPER

## CONTENTS PAGE

Fig. 1 - Main Frame & Related Parts - - - - -	2&3
Fig. 2 - Seat & Instrument Panel - - - - -	4&5
Fig. 3 - Hopper Lift Arm Assembly - - - - -	6&7
Fig. 4 - Stabilizer Safety Leg - - - - -	8&9
Fig. 5 - Hopper & Related Parts - - - - -	10&11
Fig. 6 - Dust Filter & Shaker Motor - - - - -	12&13
Fig. 7 - Vacuum Fan Assembly - - - - -	14&15
Fig. 8 - Engine & Related Parts - - - - -	16&17
Fig. 9 - Gasoline Carburetor, Fuel Pump, Governor & Related Parts - - - - -	18&19
Fig. 10 - Gasoline Tank & Filter - - - - -	20&21
Fig. 11 - Air Cleaner & Related Parts - - - - -	22&23
Fig. 12 - Cooling System - - - - -	24&25
Fig. 13 - Exhaust System - - - - -	26&27
Fig. 14 - Steering & Related Parts - - - - -	28&29
Fig. 15 - Rear Wheel Drive Motor & Support Parts Group - - - - -	30
Fig. 16 - Rear Drive Wheel Parts Group - - - - -	31
Fig. 17 - Front Wheels & Brakes - - - - -	32&33
Fig. 18 - Side Brush Drive & Support - - - - -	34&35
Fig. 19 & 20 - Main Brush Drive - - - - -	36-38
Fig. 21 - Model 265 Hi-dump Complete Hydraulics - - -	39
Fig. 22 - Pump Assembly Group - - - - -	40&41
Fig. 23 - Hydraulic Tank Group - - - - -	42&43
Fig. 24 - Rollout Cylinders & Control Valve Group - -	44&45
Fig. 25 - Hopper Dump Cylinder & Its Control Valve - -	46&47
Fig. 26 - Main Brush, Side Brush, Vacuum Fan Motor & Side Brush Control Valve - - - - -	48&49
Fig. 27A - Heat Exchanger & Oil Filter (current) - - -	50
Fig. 27 - Heat Exchanger & Oil Filter (obsolete) - - -	51
Fig. 28 - Pump Control Linkage Parts Group - - - - -	52&53
Fig. 29 - Rear Drive Motor - - - - -	54
Fig. 30 - Electrical System for 265 Hi-dump - - - - -	55&56

hi-dump parts

[Home](#)

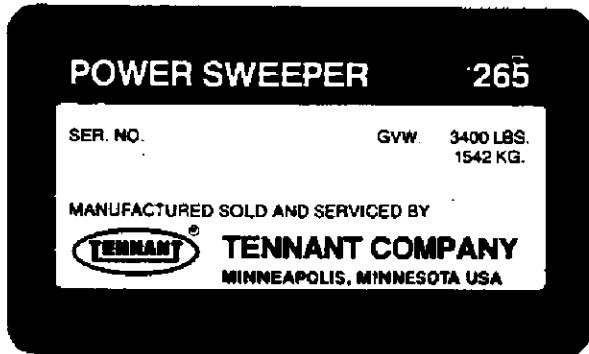





## ORDERING REPAIR PARTS

To avoid errors or delays in filling parts orders, please furnish all of the following information.

1. Always specify the machine model number and the machine serial number shown on the machine data plate.



2. Give the part number, description, and the quantity needed of each item on the order. Do not order by reference number or the figure number of the illustrated parts.
3. Indented items indicate parts of assemblies. Standard hardware is furnished only when part of a purchased assembly. Please order hardware from a local hardware supplier.
4. If the old part cannot be identified, send it to us with the quantity needed specified on the order.
5. State definite shipping instructions to include the shipping address and/or the billing address if there is a difference. Any claim for loss or damage to a shipment in transit should be filed promptly against the transportation company making the delivery. Shipments will be complete unless the packing list or order acknowledgement indicate items back ordered.

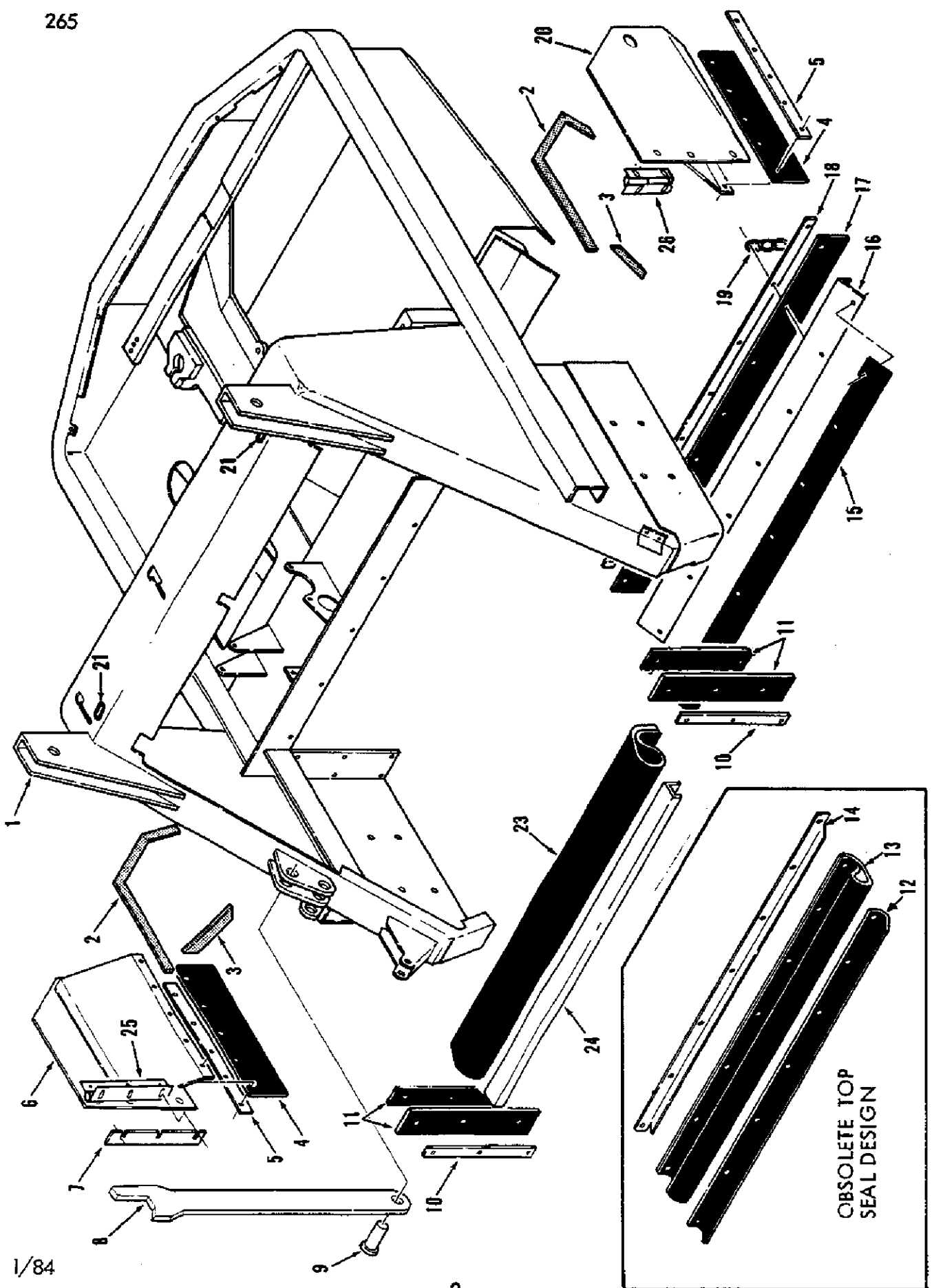
If parts received are suspected to be incorrect or defective, please write, wire, or phone the Tennant Company representative from whom you ordered the part. They will give authorization for return and/or handle replacement shipments when required.

### SI (INTERNATIONAL SYSTEM) UNITS OF MEASURE

Metric equivalents have been included, where applicable, throughout this parts catalog.

### BOLT AND CAP SCREW STRENGTH IDENTIFICATION

Bolts and cap screws required to have high-strength qualities equivalent to SAE Grade 8 are identified throughout this catalog by the description GR 8. Unless identified by this description, all standard bolts and cap screws are SAE Grade 5.



1/84

FIG. 1  
MAIN FRAME & RELATED PARTS

Ref. No.	TENNANT Part No.	Description	Qty.
1	33505	FRAME, Main	1
2	53052	SEAL, Brush door	2
3	53974	SEAL, Brush door	2
4	23275	SKIRT, Side	2
5	45857	RETAINER, Side skirt	2
6	*33762	DOOR, Brush R.H.	1
7	23752-2	SHIM (if needed for weld-hinged door)	1
8	32368	ARM, Hopper stop safety	1
9	36994	PIN, Safety arm	1
10	23384-2	RETAINER, Side seal	2
11	23382	SEAL, Hopper side	4
12	To replace	SEAL, Top pan	1
13	order		1
14	SK2125	BRACKET, Top pan seal	1
15	53298	SKIRT, Rear (Brush contact)	1
16	53219	ANGLE, Skirt mount	1
17	53137	SKIRT, Rear (Floor contact)	1
18	23268-1	RETAINER, Rear skirt	1
19	09342	CHAIN, Static drag	1
20	**33760	DOOR, Access L.H.	1
21	10632-13	GROMMET, Lintel hose	2
23	23386	SEAL, Top pan	1
24	50447	BRACKET, Top pan seal	1
	55373	DECAL, Safety arm	2
	54918	DECAL KIT "TENNANT" & "265"	1
25	32885	HINGE, Brush door, R.H.	1
26	32886	HINGE, Brush door, L.H.	1

\*To replace R.H. Brush door with welded on hinge, order SK2515; to replace door with bolted on hinge used on machines up to serial number 8543, order SK2726.

\*\*To replace L.H. Brush door with welded on hinge, order SK2514; to replace door with bolted on hinge used on machines up to serial number 8543, order SK2724.

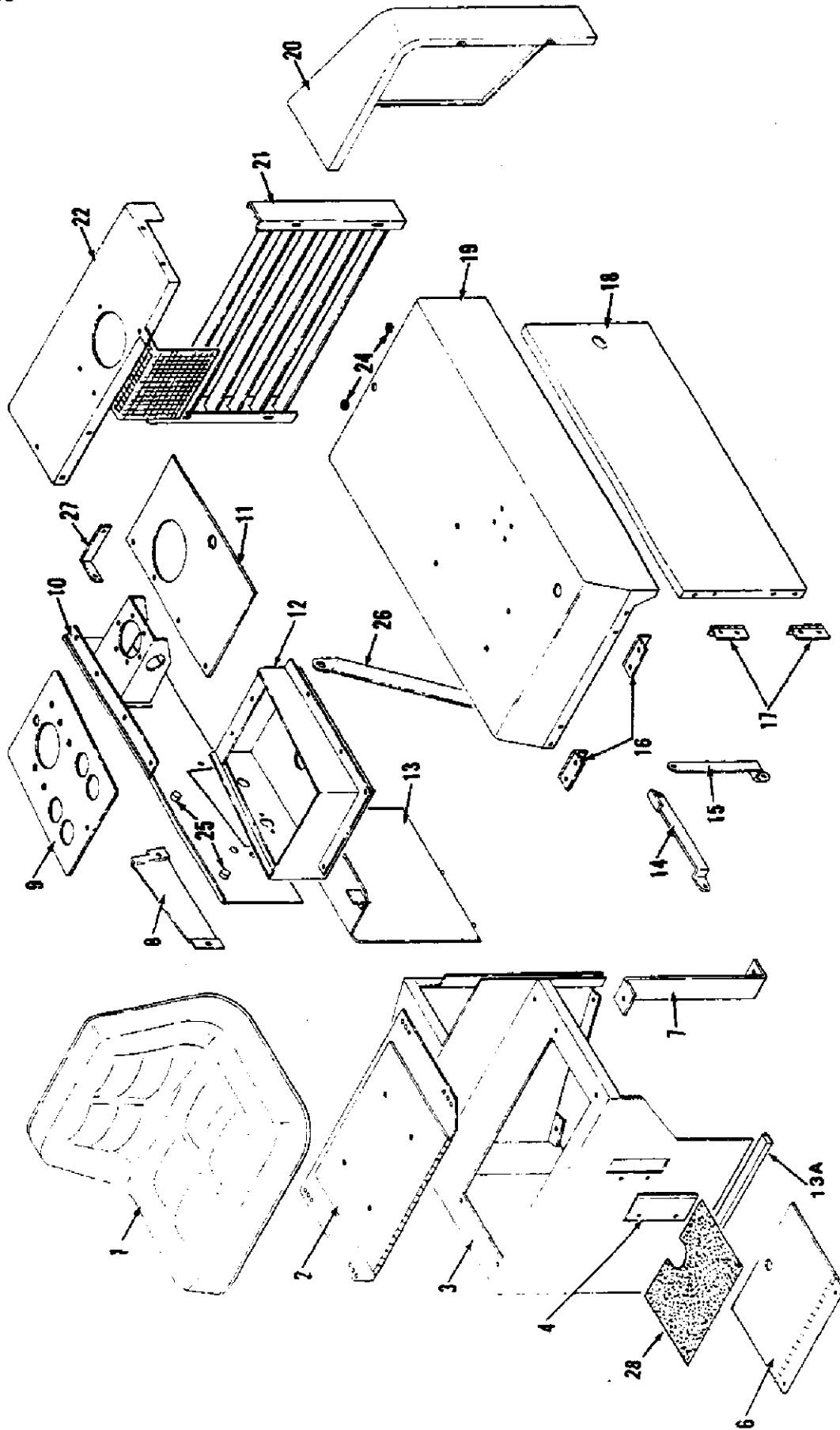


FIG. 2 - SEAT, INSTRUMENT PANEL & RELATED PARTS



Ref. No.	TENNANT Part No.	Description	Qty.
1	53871	SEAT	1
2	53844	MOUNT, Seat	1
3	53729A	SUPPORT, Seat	1
4	53128	PLATE, Cover	1
6	53465-2	COVER, Battery	1
7	50824	BRACKET, Seat support	1
8	54371-1	PANEL, Access	1
9	53513	PANEL, Instrument	1
10	54936	COVER, Engine panel	1
11	50808	DOOR, Instrument panel	1
12	54721	BOX, Instrument	1
13	32820	PANEL ASSEMBLY	1
13A	23826	SEAL, Seat support	1
14	37093	ARM, Hinge	1
15	37091	ARM, Hinge	1
16	47700	HINGE, Engine cover	2
17	47692	HINGE, Side door	2
18	50847	DOOR, Side	1
19	54937	COVER, Engine	1
20	53849A	PANEL, Corner	1
21	39228	GRILL	1
22	50751	COVER, Top rear	1
24	51787	BUMPER	2
25	53051A	SLEEVE, Instrument box mounting	2
26	54157	BRACE	1
27	24528	BRACKET	1
28	32270	TREAD, Floor	1

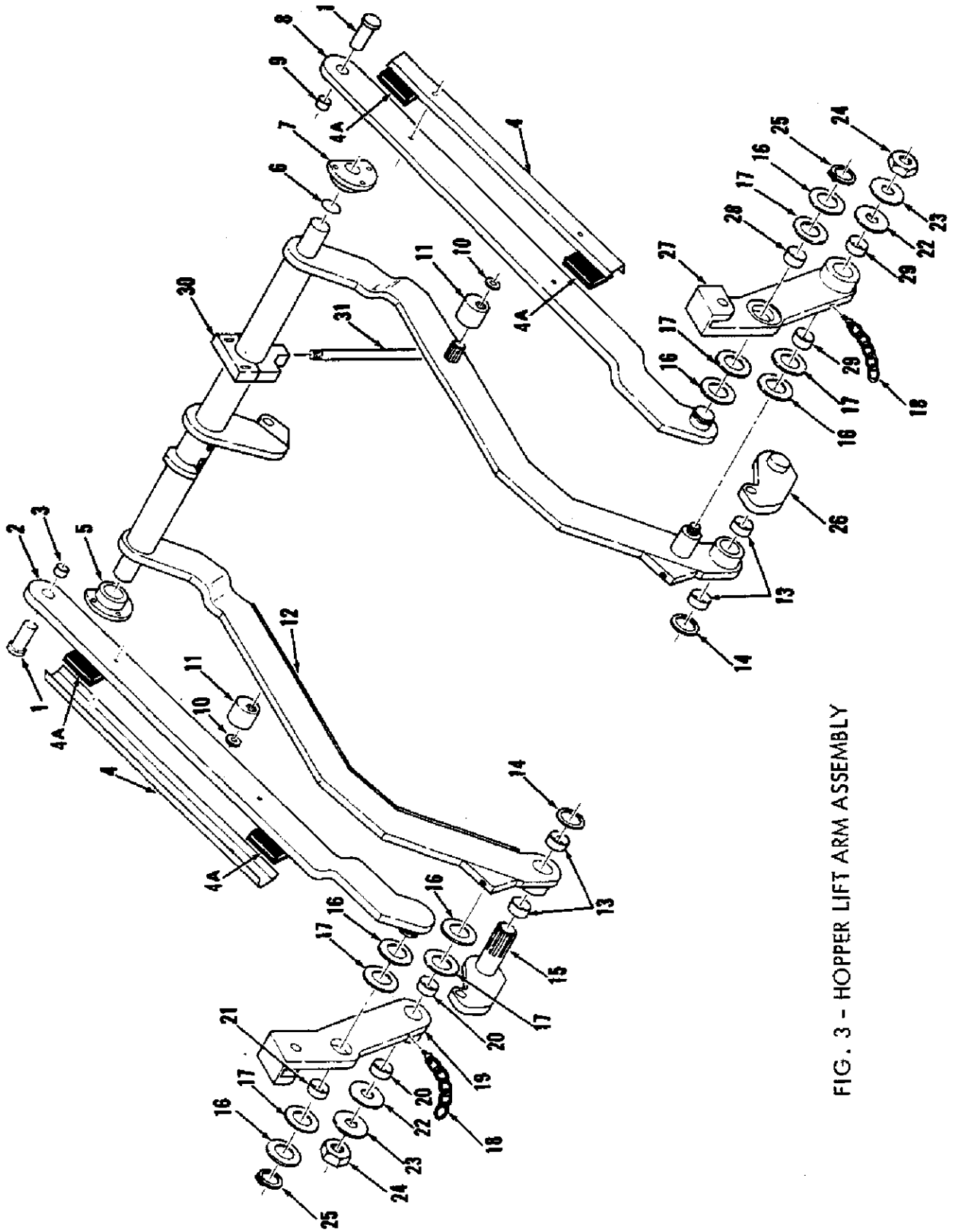


FIG. 3 - HOPPER LIFT ARM ASSEMBLY

FIG. 3 - HOPPER LIFT ARM ASSEMBLY

Ref. No.	TENNANT Part No.	Description	Qty.
1	04733-5	PIN, Upper pivot arm	2
2	* 55203	ARM ASSEMBLY, Upper pivot R.H.	1
3	35529	BEARING, Journal	1
4	36988	CLAMP, Hose	2
4A	36989	PAD, Rubber hose	2
5	35631	BEARING, Lift arm R.H.	1
6	23138	SHIM, Lift arm	1
7	35631-1	BEARING, Lift arm L.H.	1
8	* 55204	ARM ASSEMBLY, Upper pivot L.H.	1
9	35529	BEARING, Journal	1
10	36996	WASHER, Cam	2
11	33541	CAM, Splined	2
12	35512-1	ARM, Hopper lift	1
13	35561	BEARING, Journal	4
14	35629	WASHER	6
15	35640	SHAFT, Torque R.H.	1
16	35615	WASHER	6
17	* 37139	BEARING, Thrust	6
18	32448	CHAIN & EYEBOLT ASSEMBLY	2
	32440	CHAIN	1
	11893	EYEBOLT	1
19	35621-1	ARM ASSEMBLY, Front pivot R.H.	1
20	35561	BEARING, Journal	2
21	35665	BEARING, Journal	1
22	35666	BEARING, Thrust	2
23	35614	WASHER	2
24	14242	NUT	2
25	35686	RING, Retaining	2
26	35636	SHAFT, Torque L.H.	1
27	35620-1	ARM ASSEMBLY, Front pivot L.H.	1
28	35665	BEARING, Journal	1
29	35561	BEARING, Journal	2
30	35630	BEARING, Center torque tube	1
	35668	BEARING, Journal	1
31	35595	ROD, Tie	1

\* Before serial number 6106, Arm Assembly, R.H. was 35645A; Arm Assembly, L.H. was 35645-3; Bearing 37139 was 35667.

To replace Arm Assembly, R.H. on machines before serial number 6106, order SK2694.  
To replace Arm Assembly, L.H. on machines before serial number 6106, order SK2695.

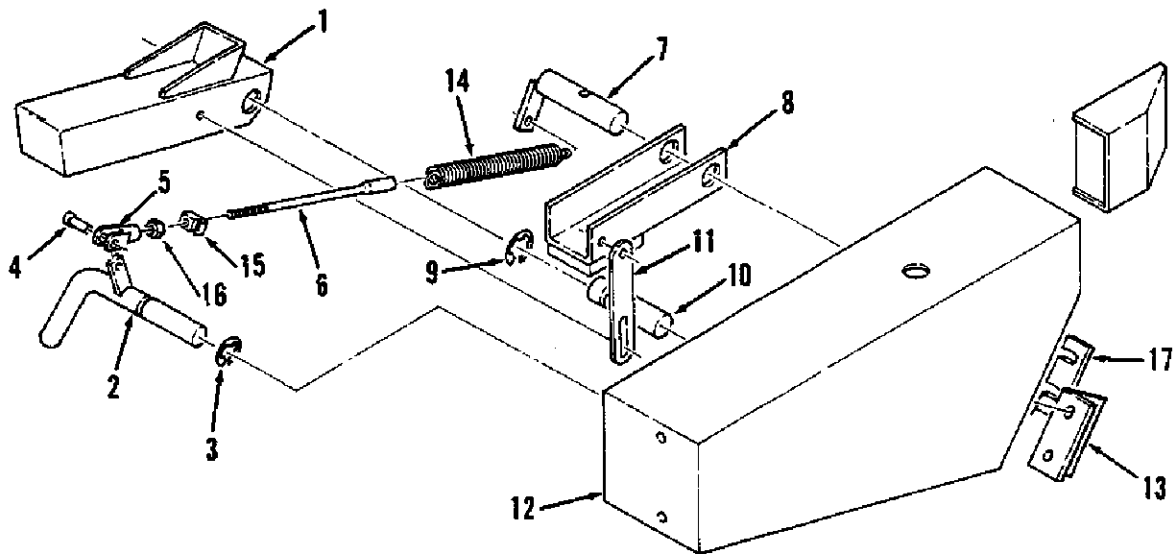


FIG. 4A - STABILIZER SAFETY LEG  
(used on machines with serial number 7355 and above)

Ref. No.	TENNANT Part No.	Description	Qty.
	32286	STABILIZER LEG ASSEMBLY	1
1	35591	LEG, Safety	1
2	*33568	LEVER	1
3	23788-1	RING, Retaining	1
4	51727	PIN, Clevis	2
5	14595-1	CLEVIS, Adjustable	1
6	**33563	ROD, Threaded	1
7	33763	PIVOT, Shaft	1
8	35533	SUPPORT, Safety leg	1
9	23788	RING, Retaining	1
10	36972	PIN, Grooved	1
11	35527	LINK	1
12	32282	BUMPER, L.H.	1
13	24528	BRACKET, "L"	1
14	33523	SPRING, Tension	1
15	33565	LUG, Adjusting	1
16	32899	NUT	1
17	14895	SHIM	1

\* Previous lever 32280 has been replaced by SK2606 which also includes the new rod with spring adjustment.

\*\* To replace old-style rod, order SK2607 which includes the improved spring tension design.

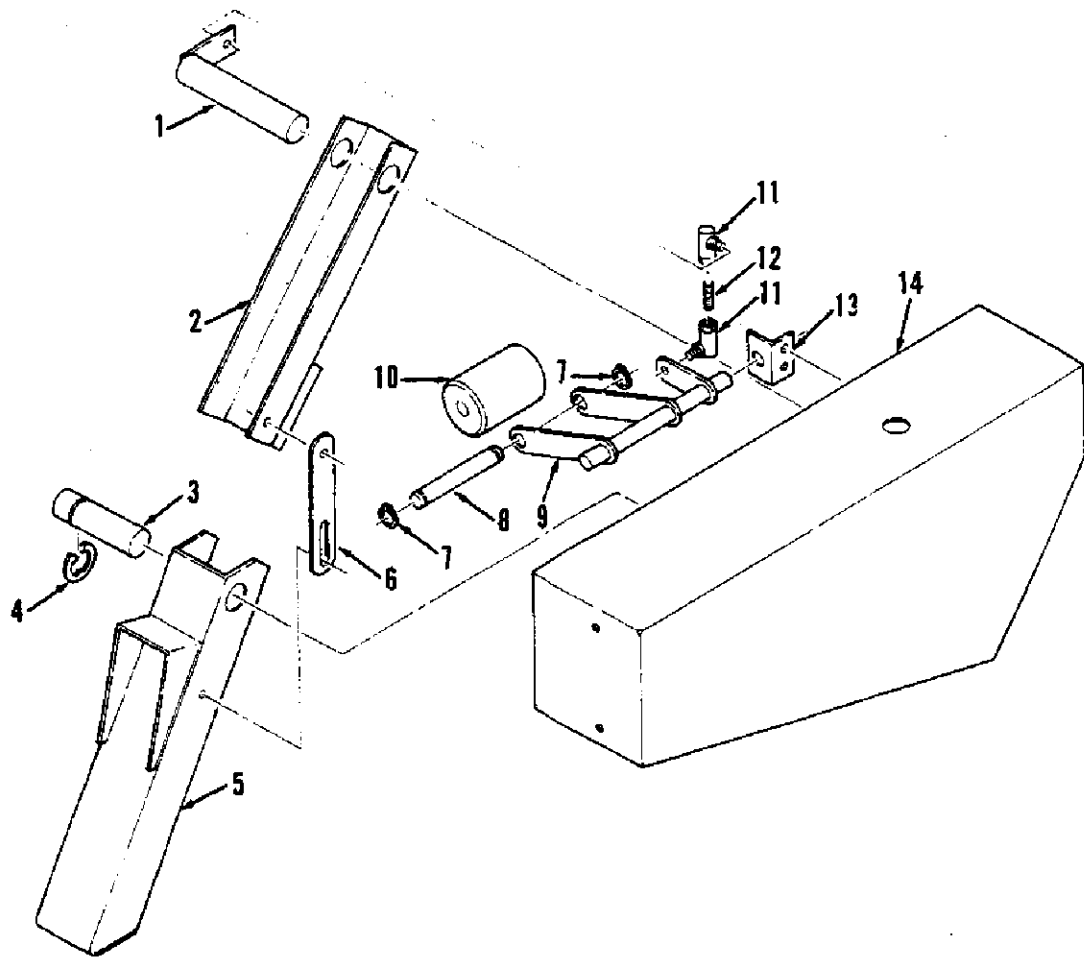
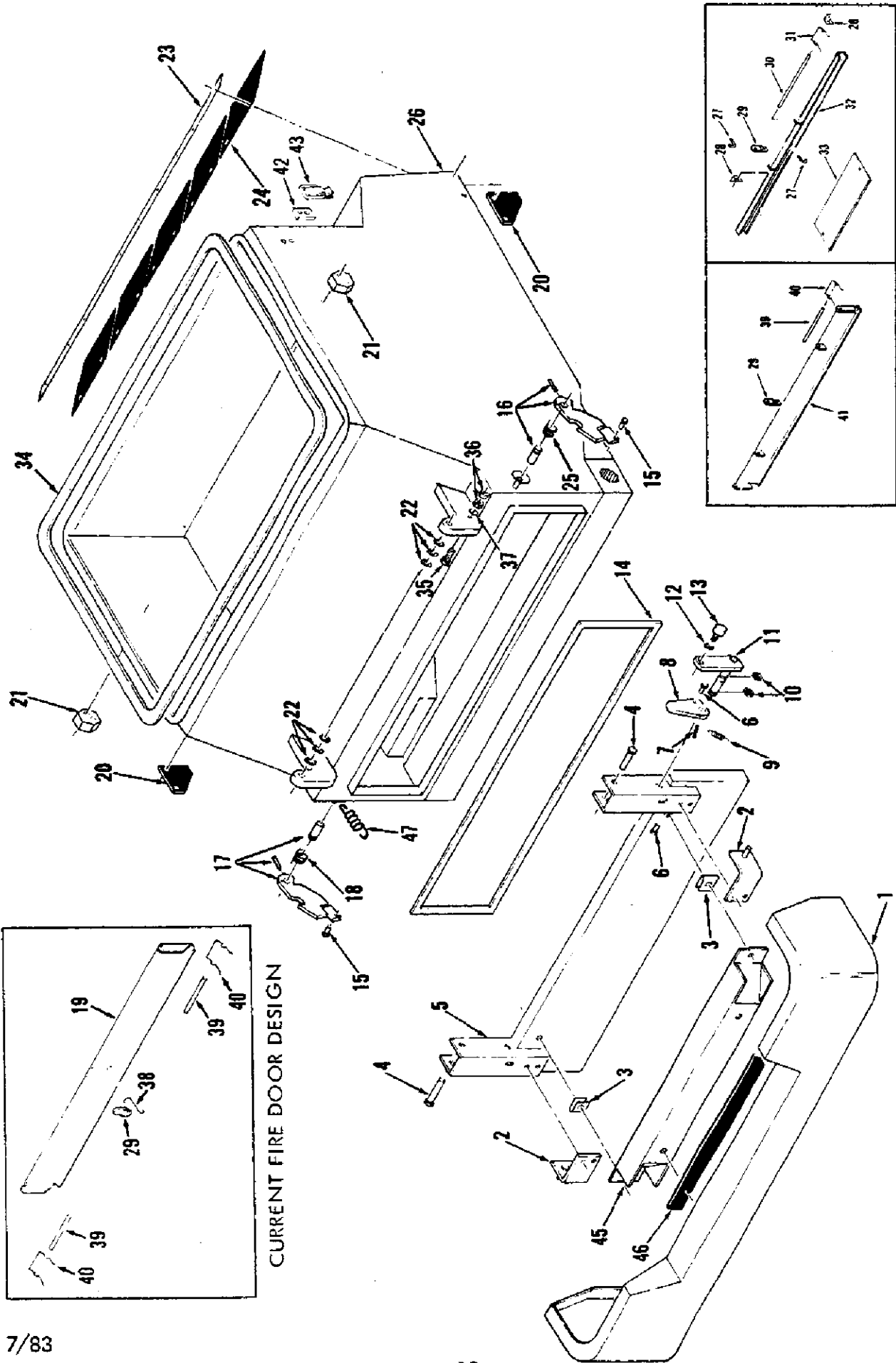


FIG. 4 - STABILIZER SAFETY LEG  
 (used on machines with serial number up to and including 7354)

Ref. No.	TENNANT Part No.	Description	Qty.
	36997	LEG ASSEMBLY, Stabilizer	1
1	48968	SHAFT, Pivot	1
2	35533	SUPPORT, Safety leg	1
3	36972	PIN, Safety leg pivot	1
4	23788	RING, Retaining	1
5	35591	LEG, Stabilizer	1
6	35527	LINK	1
7	23524	LINK, Retaining	2
8	48954	PIN, Roller	1
9	45794	SHAFT, Roller	1
10	48957	ROLLER	1
11	14601	BALLJOINT	2
12	36971	STUD	1
	-	NUT, 0.25" - 28	1
13	45795	BRACKET, Roller shaft	1
14	45797	BUMPER	1



OBsolete FIRE DOOR DESIGNS

FIG. 5 - HI-DUMP HOPPER AND RELATED PARTS

7/83

FIG. 5 - HI-DUMP HOPPER AND RELATED PARTS

Ref. No.	TENNANT Part No.	Description	Qty.
1	48692	BUMPER	1
2	36984	BRACKET, Door latch	2
3	35588	NUT	2
4	04733-3	PIN, Hopper door pivot	2
5	35526	DOOR, Hopper	1
6	51727	PIN, Clevis	2
7	23146	*PIN, Roll, 0.18" OD, 1.62" long (old style)	1
7	46585	PIN, Roll, 0.18" OD, 1.38" long (current style)	1
8	37074	*BRACE, Hopper door	1
9	28387	SPRING	1
10	23788-1	RING, Retaining	2
11	37073	*SHAFT, Hopper door latch trip	1
12	35546	SLEEVE	1
13	48930	ROLLER	1
14	37061	SEAL, Hopper door	1
15	10120	PIN, Clevis	2
16	37078	LATCH ASSEMBLY, L.H.	1
17	37079	LATCH ASSEMBLY, R.H.	1
18	48928	SPRING, R.H.	1
19	32811	DOOR, Fire	1
20	37021	LIP, Hopper side	2
21	36995	CAM	2
22	35540	SHIM	6
23	53758	RETAINER	1
24	35607	LIP, Hopper lower	5
25	48927	SPRING, L.H.	1
26	37057	**HOPPER	1
27	53698	HOOK, Fusible link	2
28	46087	BRACKET, Fire door pivot pin	2
29	SK1511	LINK, Fusible	1
30	46088	PIN, Fire door pivot	1
31	28564	SPRING, Fire door	1
32	53703	DOOR, Fire	1
33	53693	BAFFLE, Fire door	1
34	53244	SEAL, Hopper cover	1
35	***	CAPSCREW, (.312" - 18 x 1.375")	1
36	***	NUT, (.312" - 18)	2
37	***	WASHER, Springlock, (.312")	1
38	35559A	HOOK, Fuse	1
39	35555	PIN, Fire door pivot	2
40	51372	SPRING, Fire door	2
41	SK2398	DOOR, Fire	1
42	37085	STRIP, Latch	8
43	37083-1	LATCH, Cover	4
	35558A	BRACKET, Hinge (not used on current machines)	2
45	36980	SUPPORT, Bumper	1
46	36979	STRIP, Rubber, bumper	1
47	29545	SPRING	1
	20154	STRAIN RELIEF	1

\* To replace old style hopper door brace, hopper door latch trip shaft, and roll pin, order SK2003.

\*\* For machines with serial numbers less than 6070, order SK2060.

\*\*\* Used only on machines with serial numbers less than 6070.

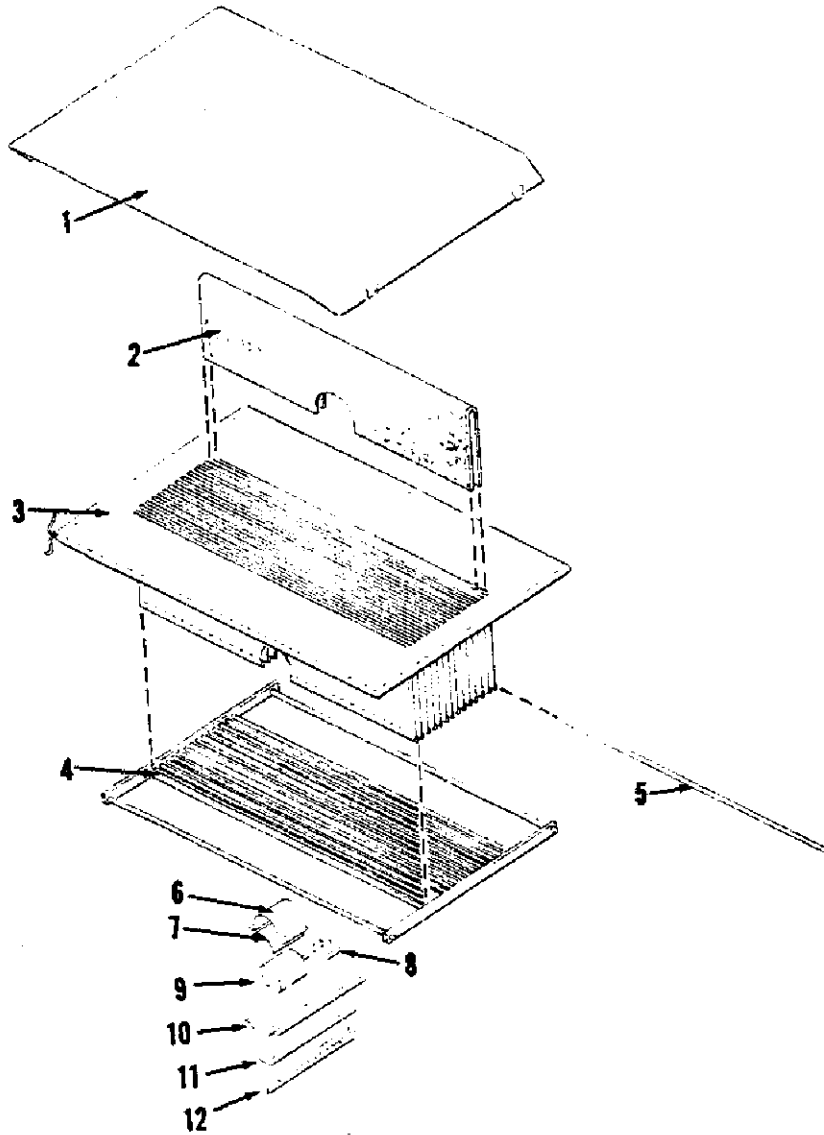


Fig. 6 - FILTER SYSTEM



Fig. 6 - FILTER SYSTEM

Ref. No.	TENNANT Part No.	Description	Qty.
1	37088	* COVER, Filter box	1
2	53260	SEPARATORS	7
3	53259	BAG, Filter	1
4	46071	RACK, Bag	1
5	53934	BAR	14
	54078	SHAKER MOTOR ASSEMBLY	1
6	44979	STRAP, Shaker motor	1
7	44893	BAR, Rubber	1
8	53264	WEIGHT, Eccentric	1
9	54121	MOTOR, Shaker (sealed, not repairable)	1
10	44980	SUPPORT	1
11	53189	STRIP, Rod clamp	1
12	53421	ROD, Clamp, lower	1

\* Note: Before Serial No. 3649, Filter Box Cover was #53338.  
 For field replacement of 53338, order SK2349.

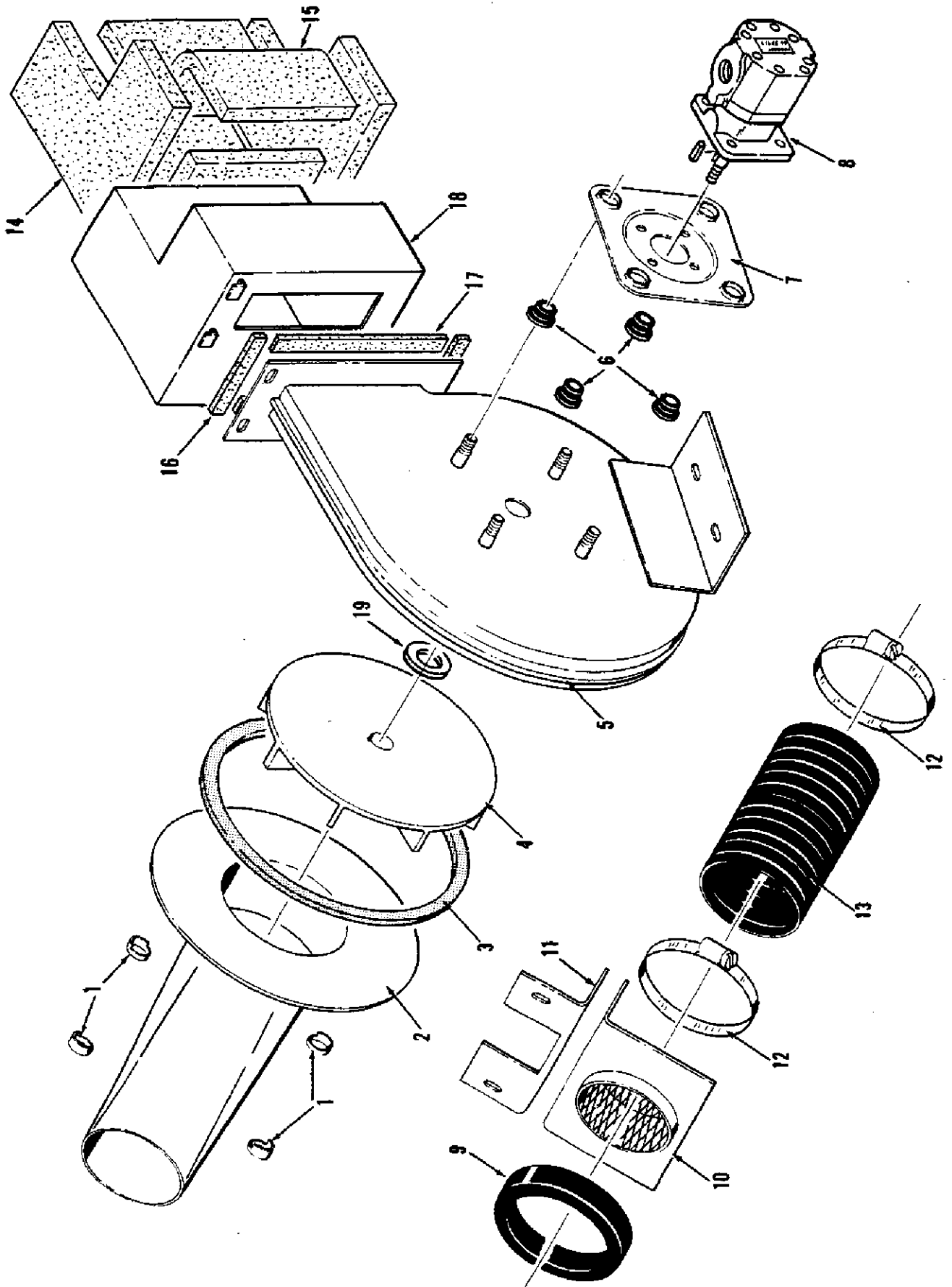


FIG. 7 - VACUUM FAN ASSEMBLY

Fig. 7 - VACUUM FAN ASSEMBLY

Ref. No.	TENNANT Part No.	Description	Qty.
1	03467A	CLIP, Vacuum housing	4
2	53148	MANIFOLD, Intake	1
3	23542	SEAL, 0.31" x 30.50" (7.9 x 777 mm)	1
4	56481	IMPELLER	1
5	54304A	HOUSING, Impeller	1
6	54274	ISOLATOR, Vibration	4
7	54275A	PLATE, Motor mounting	1
8	*77110	MOTOR, Vacuum fan (includes hardware)	1
	SK2561	SEAL KIT	1
9	47069	SLEEVE	1
10	36907-1	ADAPTER, Hose	1
11	36906	BRACKET, Hose adapter	1
12	23498	CLAMP, Wormdrive	2
13	23481	HOSE	1
	55017	MUFFLER ASSEMBLY, Fan	1
14	55726	MUFFLER, Fan	1
15	54271	SEAL, Foam rubber, 3.3" (84 mm)	2
16	54272	SEAL, Foam rubber, 6.6" (168 mm)	2
17	54268	INSULATION, Muffler, top	2
18	54270	INSULATION, Muffler, side	2
19	T5951	WASHER, Flat, 0.38"	1

\*Note: Before serial number 7701, vacuum fan motor was 53923. To replace 53923, order SK2560. Seal kit for both motors is SK2561.

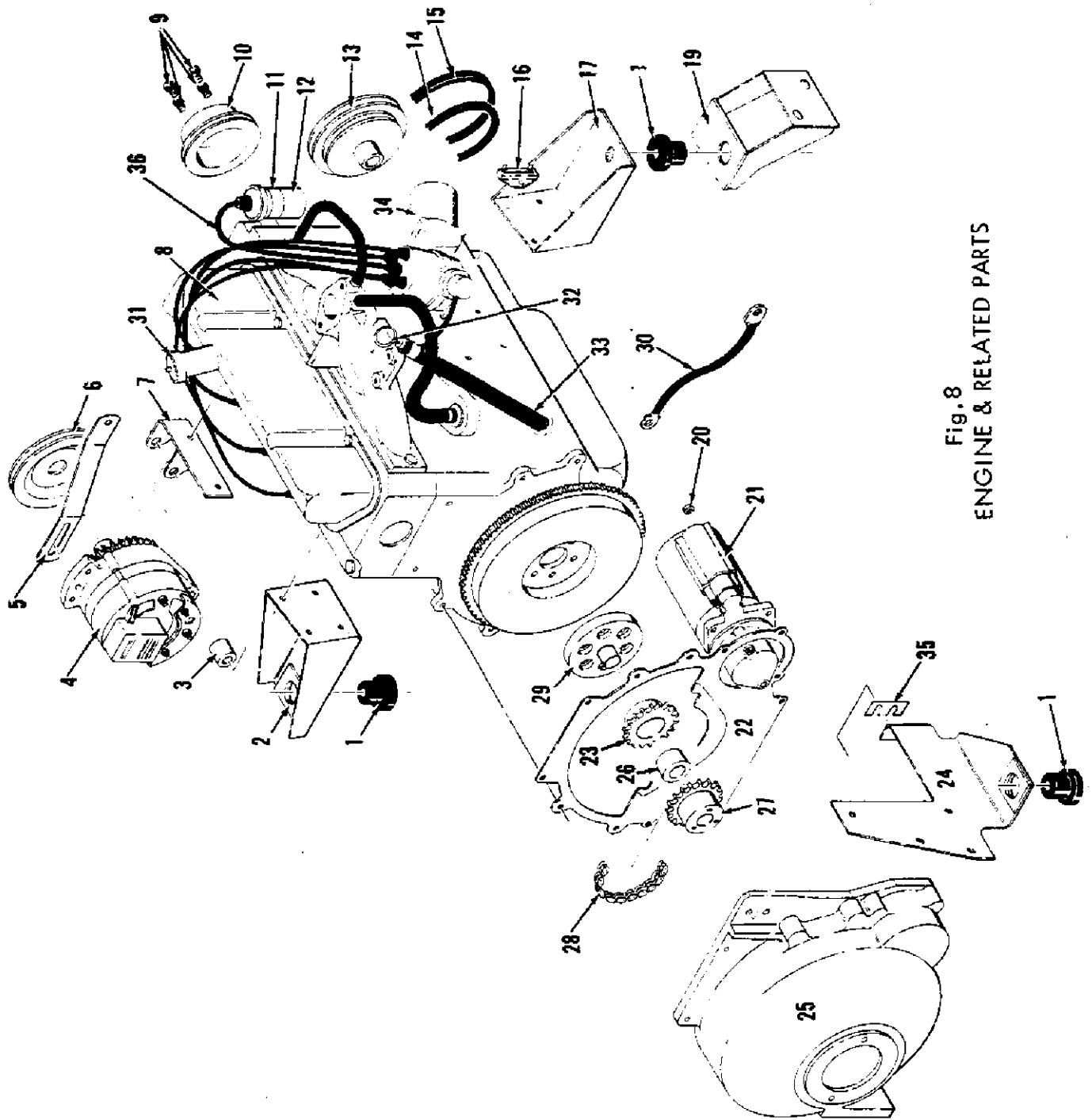


Fig. 8  
ENGINE & RELATED PARTS

Ref. No.	TENNANT Part No.	Description	Qty.
1	51176	DAMPER, Engine	3
2	54860	MOUNT, Engine, left hand	1
3	54959	SPACER, Alternator mounting	1
4	54915	ALTERNATOR ASSEMBLY (including following)	1
	54915-1	ALTERNATOR	1
	54915-2	REGULATOR, Voltage	1
	54915-3	FAN, Alternator	1
5	50309	STRIP, Alternator bracket	1
6	54914	SHEAVE, Alternator	1
7	54928	BRACKET, Alternator mounting	1
8	32837	**ENGINE, Basic, Gasoline	1
9	50388	SCREW, Hex cap, 8mm	4
10	54911-10	PULLEY, Water pump	1
11	54911-30	STRAP, Coil (new strap not mounted on engine)	1
12	54911-11	COIL, Ignition	1
13	54911-9	PULLEY, Crankshaft	1
14	44561	V-BELT, Alternator-water pump	1
15	50854	V-BELT, Fan, radiator	1
16	54911-15	*RESISTOR, Ignition coil	1
17	54892	MOUNT, Engine, right hand	1
19	54889	BRACKET, Motormount	1
20	50335	NUT, Hex, 5mm	1
21	32453	*STARTER, Engine	1
22	54911-5	*RING, Starter locating	1
	54911-16	*PIN, Dowel	2
23	53531-2	COUPLING, Chain, (Engine side)	1
24	54836A	BRACKET, Motor & valve mount	1
25	54921A-1	HOUSING, Flywheel	1
26	15280-1	BUSHING (Key No. 00926)	1
27	53386-1	COUPLING, Chain, half (pump side)	1
28	53392-3	CHAIN, Coupling	1
29	47933	PLATE, Pump drive adaptor	1
30	29832-7	CABLE, Grounding	1
31	50352	CAP, Oil filler & breather	1
32	54911-26	*DIPSTICK, Oil level	1
33	54911-27	*TUBE, Dipstick	1
34	50353	ELEMENT, Engine oil filter	1
35	47854	SHIM (16-GA thick)	as req.
	47854-1	SHIM (0.19" thick)	as req.
36	54911-31	WIRE, High tension, coil to distributor	1
	51564	WASHER, Engine mounting	1
	54911-32	*DRAIN COCK, Block	

\*\*NOTE: Basic engine 32837 replaces engine 54912-1 on machines with S/N 7514 and above. To replace previous engine 54912-1, order SK2493. Basic engine does not include alternator, voltage regulator, V-belts, fan, carburetor, pulleys, coil, resistor, etc.

\* NOTE: These parts are included in basic engine 32837.

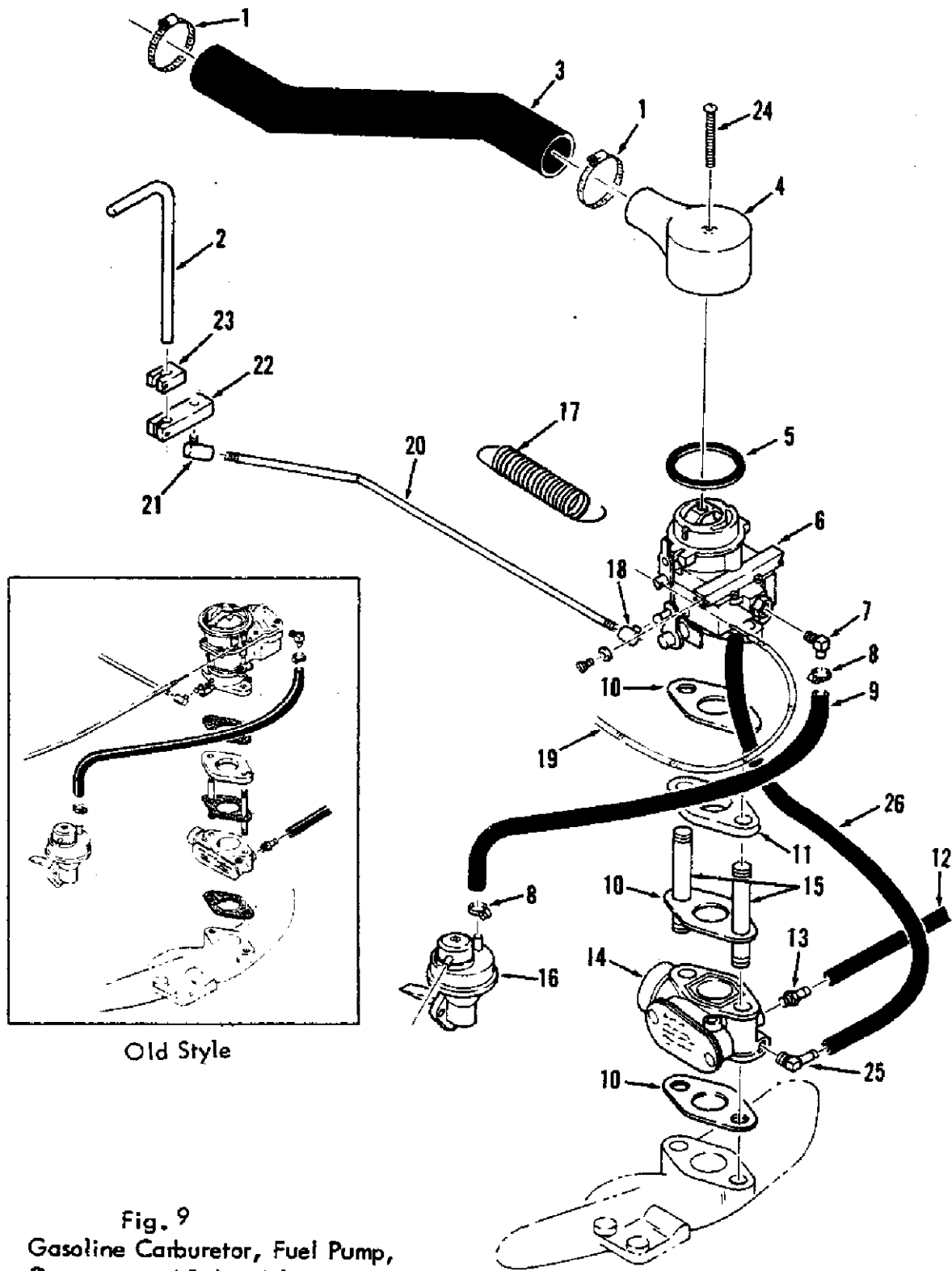


Fig. 9 - GASOLINE CARBURETOR, FUEL PUMP, GOVERNOR &amp; RELATED PARTS

Ref. No.	TENNANT Part No.	Description	Qty.
1	11531	CLAMP	2
2	53267	LEVER, Throttle	1
3	+50331-2	HOSE, Air intake (new one-piece molded type)	1
4	50308	AIR-HORN, Carburetor	1
5	54912-4	GASKET, Carburetor to air horn	1
6	32996	*CARBURETOR, Gasoline (Repair kit is 38501)	1
7	53029	ELBOW, Fuel inlet	1
8	43844	CLAMP, Wormdrive	2
9	**09369	HOSE, Gasoline, 0.31" x 16" (7.9 x 406 mm)	1
10	54912-8	GASKET, Carburetor	3
11	54854	PLATE, Carburetor spacer	1
12	—	HOSE, Rubber, governor to distributor , 0.16" x 12" (4 x 305 mm) furnished with engine	1
13	40607	CONNECTOR	1
14	54933	GOVERNOR, Speed	1
15	54844	STUDS, 1.31" - 18 x 3.38" (33 - 18 x 86 mm)	2
16	54912-2	PUMP, Fuel (Gasoline only)	1
17	50304	SPRING, Throttle return	1
18	50332	BALLJOINT	1
19	53140	CABLE ASSEMBLY, Choke	1
20	50300	ROD, Throttle	1
21	14601	BALLJOINT	1
22	53270	PIVOT, Arm	1
23	53290	CLAMP, Stop, throttle control	1
24	32301	SCREW, 0.25" - 20 x 1.75"	1
25	32183	ELBOW, Barbed	1
26	32302	HOSE	1
	54912-7	SLEEVE, Stud	2

\* To replace "Old-style" Carburetor, order SK2588.

\*\* Ford Part Number

+Previous air intake hose (#50331) included a spring (#50349) inside it.  
To replace this hose with the new molded type, order SK1844

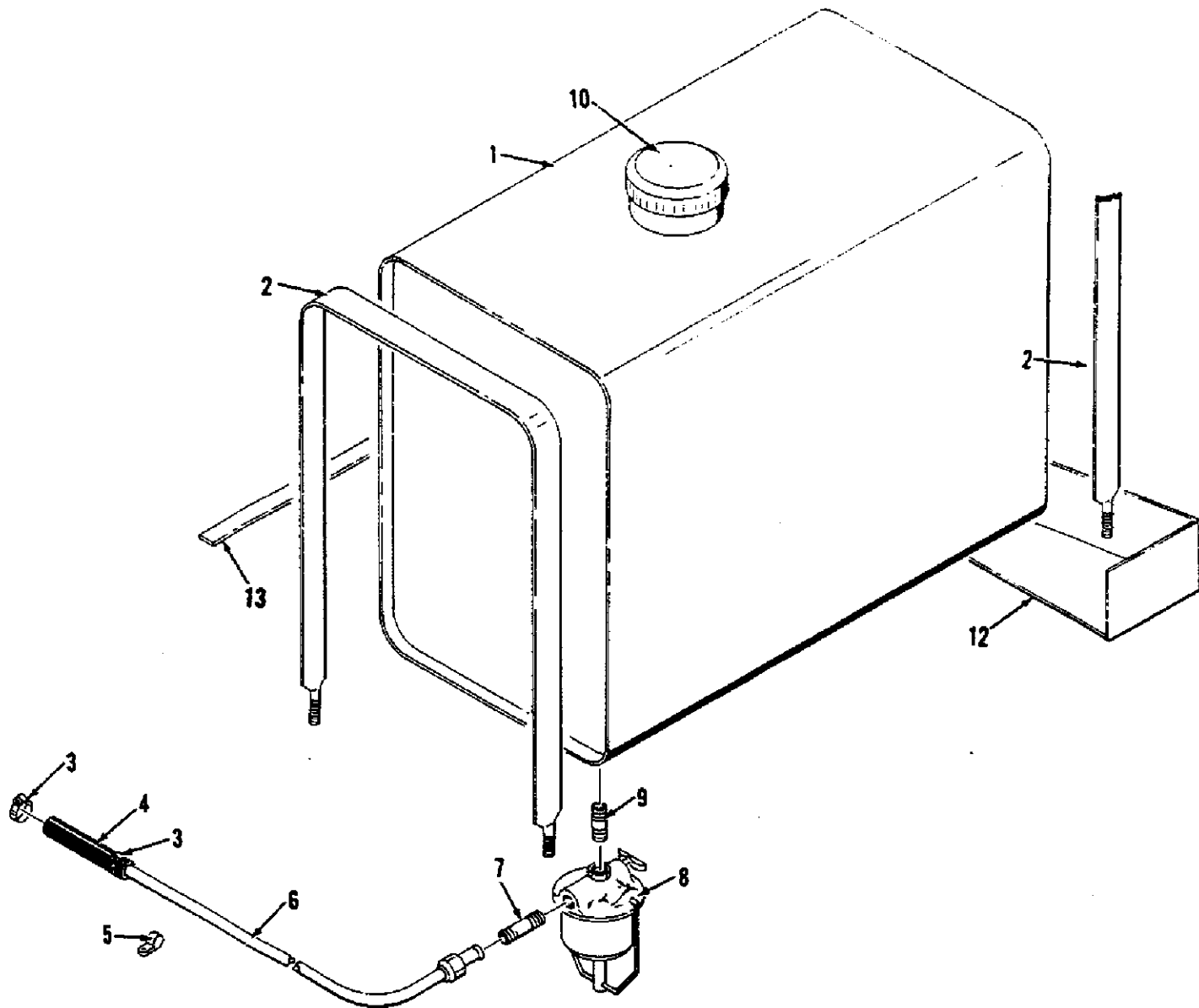


FIG. 10 - GASOLINE TANK & FILTER



Ref. No.	TENNANT Part No.	Description	Qty.
1	23390	TANK, Gas	1
2	23254	STRAP, Gas tank	2
3	43844	CLAMP, Hose, worm dirve	2
4	54845	HOSE, Rubber	1
5	46236	CLAMP, Hose	1
6	53390-1	GAS LINE ASSEMBLY	1
7	22383	NIPPLE	1
8	04601	STRAINER & SEDIMENT BOWL, Fuel	1
9	17413	NIPPLE	1
10	48267	CAP, Gas (includ. in item 1)	1
12	53014	SHIELD, Gasoline	1
13	23826	SEAL, Seat support	1

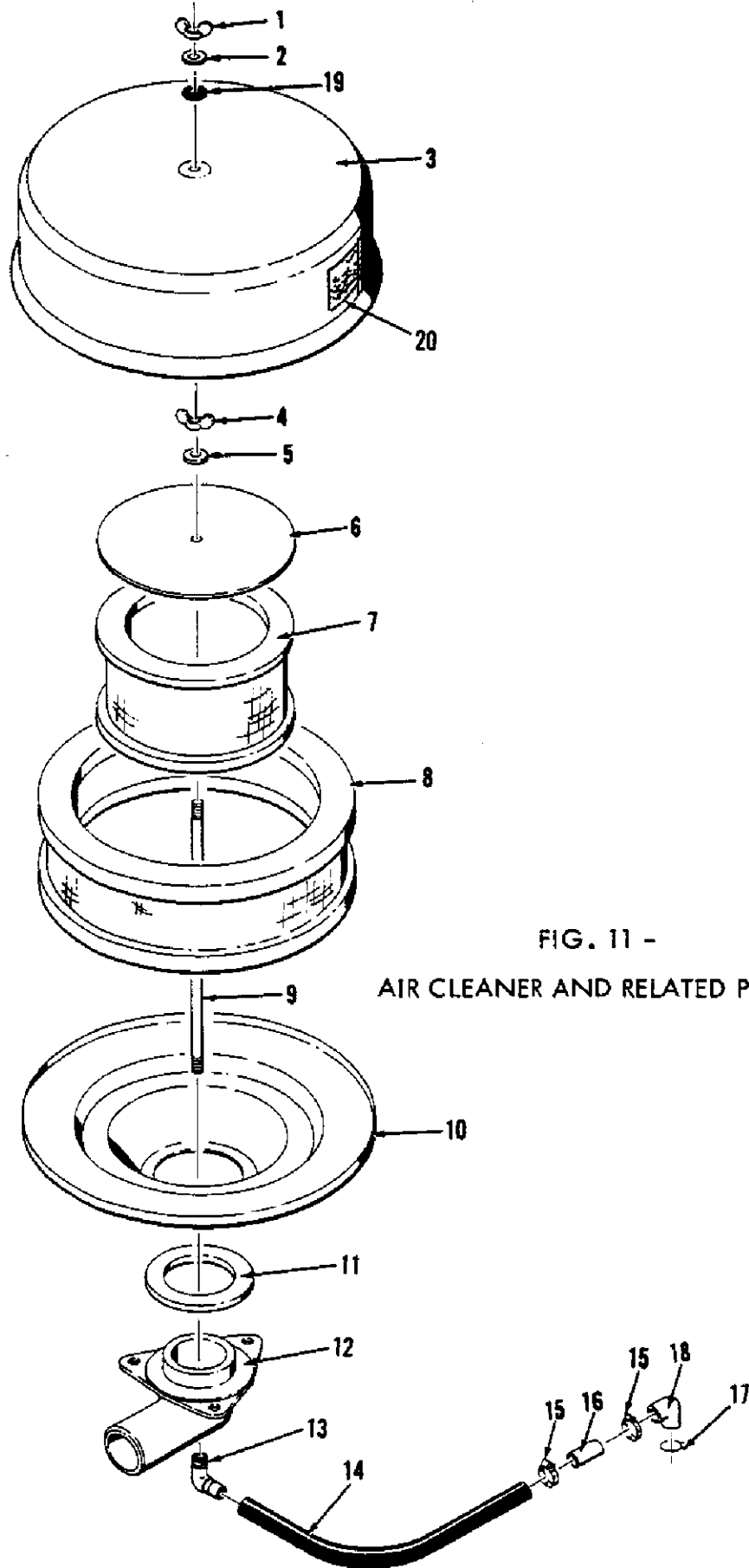


FIG. 11 -  
AIR CLEANER AND RELATED PARTS

Ref. No.	TENNANT Part No.	Description	Qty.
1	26509	NUT, Wing , 0.25" - 20	1
2	41178	WASHER , Steel	1
3	23791B	COVER, Air cleaner	1
4	46591	NUT, Wing , 0.25" - 20	1
5	24924	WASHER, Nylon	1
6	54081	COVER, Air cleaner	1
7	27313	ELEMENT, Air filter, inner	1
8	23792	ELEMENT, Air filter, outer	1
9	54082	STUD	1
10	54080	FLANGE, Air cleaner	1
11	23731	WASHER, Neoprene	1
12	23727A-2	BASE, Air cleaner	1
13	47388	ELBOW	1
14	54148	HOSE, Breather	1
15	54333	* CLAMP	2
16	51706	* SLEEVE	1
17	46818	CLAMP, Wire	1
18	54155	* ELBOW, Rubber	1
19	33518	WASHER, Rubber	1
20	24669	DECAL, Fram air cleaner	1

\* Note: Used on old style air cleaner only.

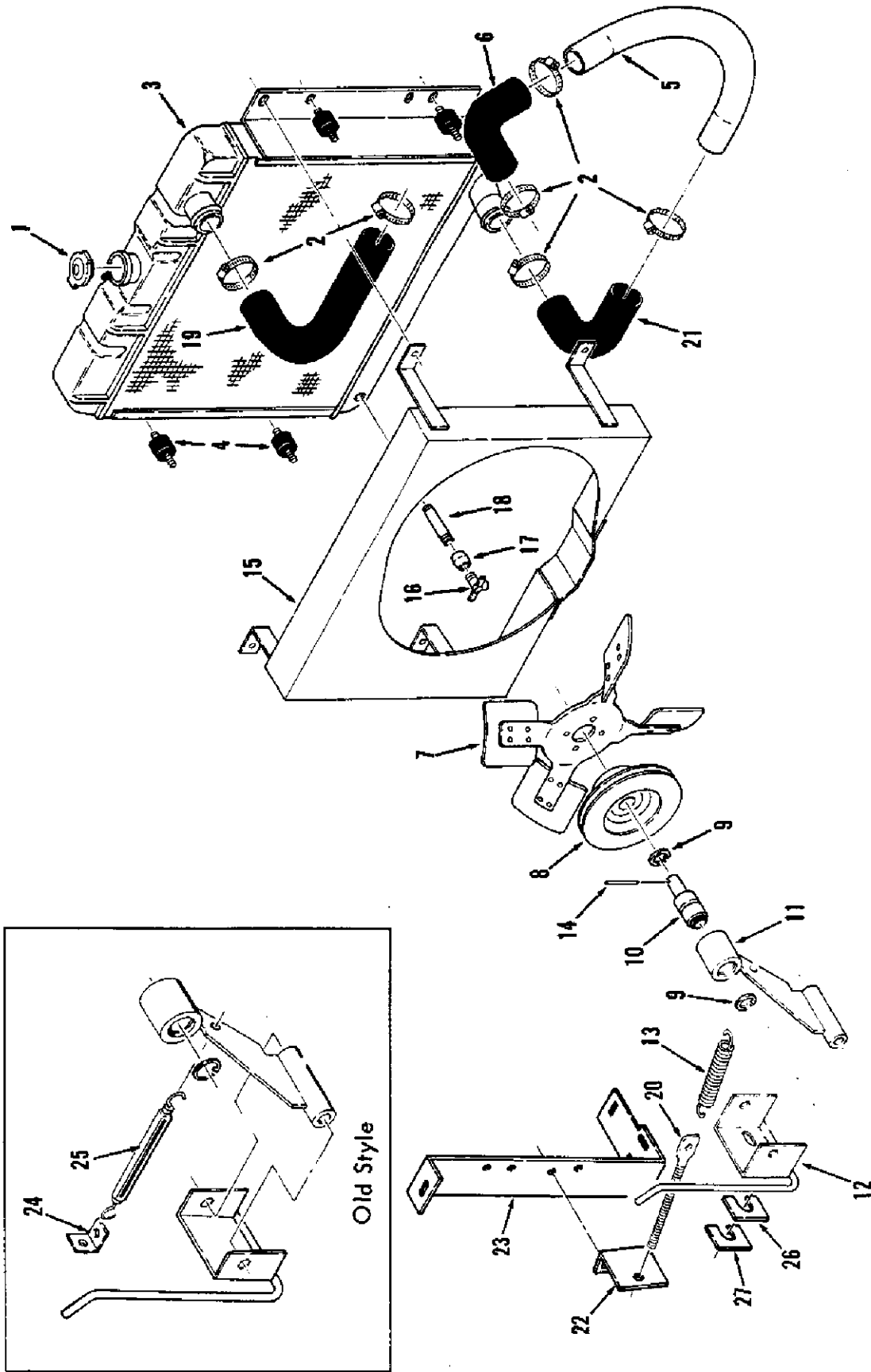


Fig. 12 - COOLING SYSTEM

Ref. No.	TENNANT Part No.	Description	Qty.
1	51321-3	CAP, Radiator	1
2	11531	CLAMP, Wormdrive	6
3	* 19593	RADIATOR	1
4	51322	DAMPER, Radiator, vibration	4
5	54874	TUBE, Radiator	1
6	54884	HOSE, Radiator, (To engine)	1
7	48648	FAN (4-blade)	1
8	53867	PULLEY, Fan	1
9	23217	RING, Retaining	2
10	28868	BEARING & SHAFT, Fan	1
11	53673-1	ARM, Fan, mounting	1
12	32836	BRACKET, Fan, arm mounting	1
13	50864	SPRING	1
14	11398	PIN, Roll	1
15	54387	SHROUD, Fan	1
16	51305	DRAIN, Radiator angle	1
17	26897	COUPLING	1
18	26385	NIPPLE	1
19	**50956	HOSE, Radiator, Upper	1
20	42331-1	BOLT, Eye	1
21	50476	HOSE, Radiator (Bottom)	1
22	50825	BRACKET, Support	1
23	50824	BRACKET, Spring	1
24	54795	+ BRACKET, Turnbuckle	1
25	25494	+ TURNBUCKLE, Belt tensioning	1

\*To replace radiator on machines with serial number up to and including 7587, order SK2487. Machines with serial number from 7588 to 8157 use SK2676.

\*\*Machines with serial number up to and including 7587 used hose 10323-6. To replace 10323-6, order SK2544.

+Note: Machines with serial number up to and including 8132 used the old style turnbuckle tensioning. To replace with the new spring tensioning, order SK2564.

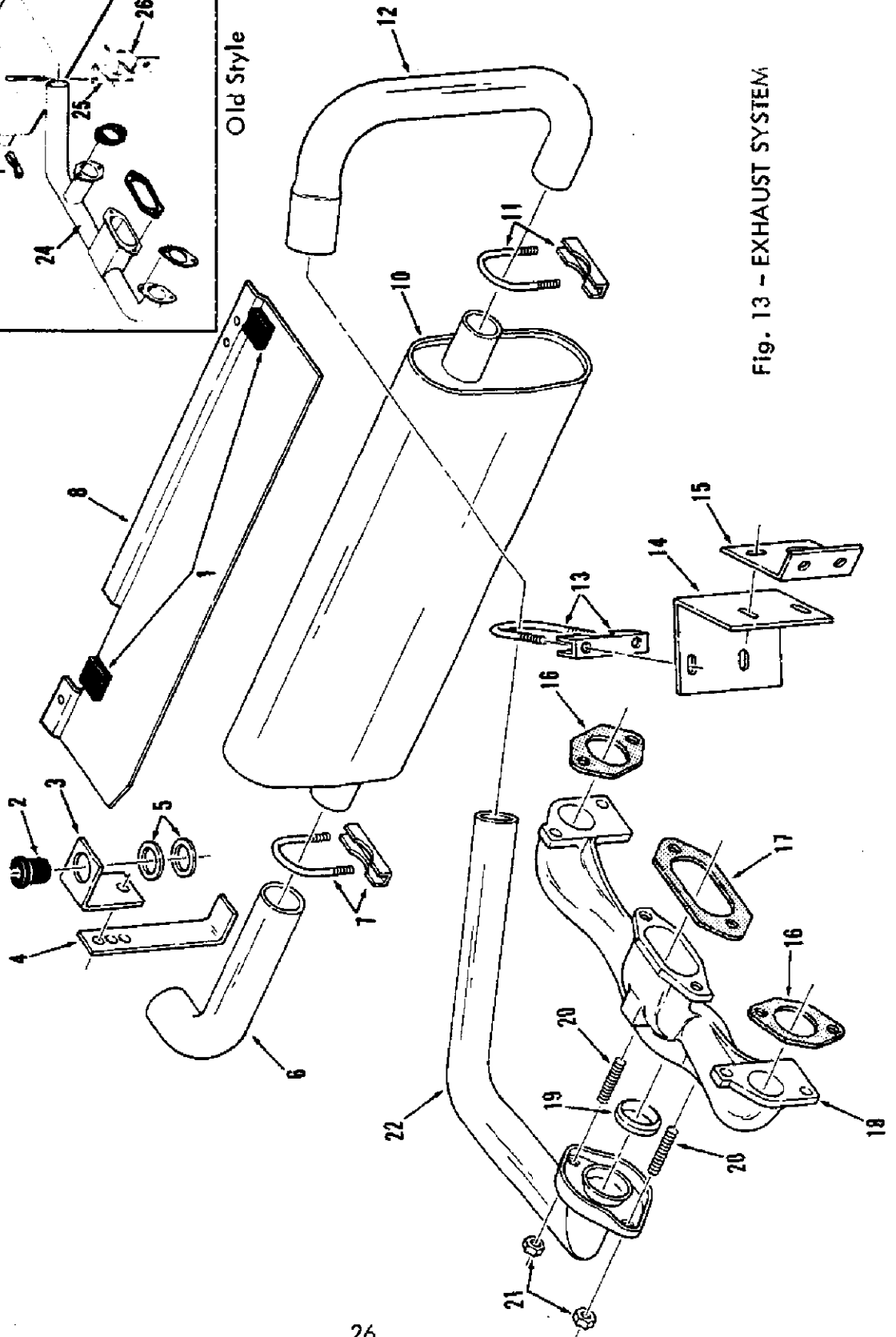
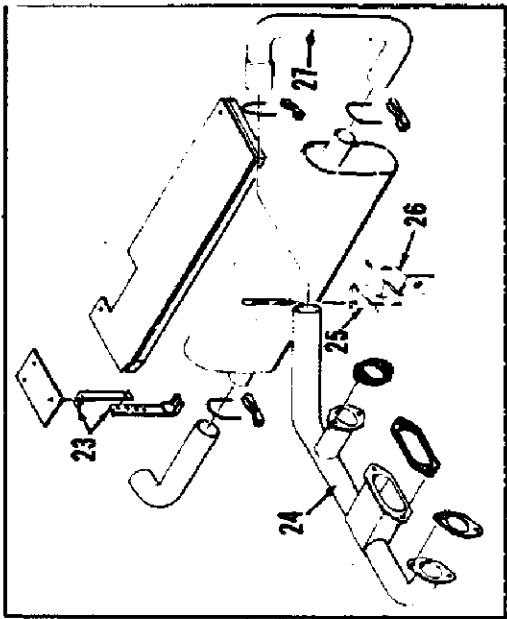


Fig. 13 - EXHAUST SYSTEM

7/82

26

## Fig. 13 - EXHAUST SYSTEM

01896

Ref. No.	TENNANT Part No.	Description	Qty.
1	50962	PAD, Rubber	2
2	54274	ISOLATOR	1
3	47989	*BRACKET, Muffler support	1
4	47990	*SUPPORT, Muffler	1
5	09832	SPACER	2
6	53884	PIPE, Tail	1
7	23693	CLAMP, Muffler	1
8	50830	SHIELD, Muffler, heat	1
10	53820	MUFFLER	1
11	24012	CLAMP, Muffler	1
12	50966	** PIPE, Exhaust	1
13	24012-1	CLAMP, Muffler	1
14	50957	** BRACKET, Exhaust tube	1
15	48630	BRACKET, Exhaust tube	1
16	54911-21	GASKET, Exhaust manifold, end	2
17	54911-20	GASKET, Exhaust manifold, center	1
18	32838	MANIFOLD, Engine exhaust	1
19	32840	GASKET	1
20	32841	STUD	2
21	32842	NUT	2
22	50958	** PIPE, Exhaust	1
23	SK2068	HANGER KIT, Muffler, includes items: 2, 3, 4, and 5	1
24	SK2131	*MANIFOLD KIT, Replacement, includes items: 12 through 22	1
25	48631	*BRACKET, Exhaust pipe	1
26	48630	*BRACKET, Exhaust pipe	1
27	54926	*PIPE, Exhaust	1

\* Applicable to machines with serial number up to 7032

\*\* To replace these parts on machines with serial numbers up to and including 8132, order SK2565

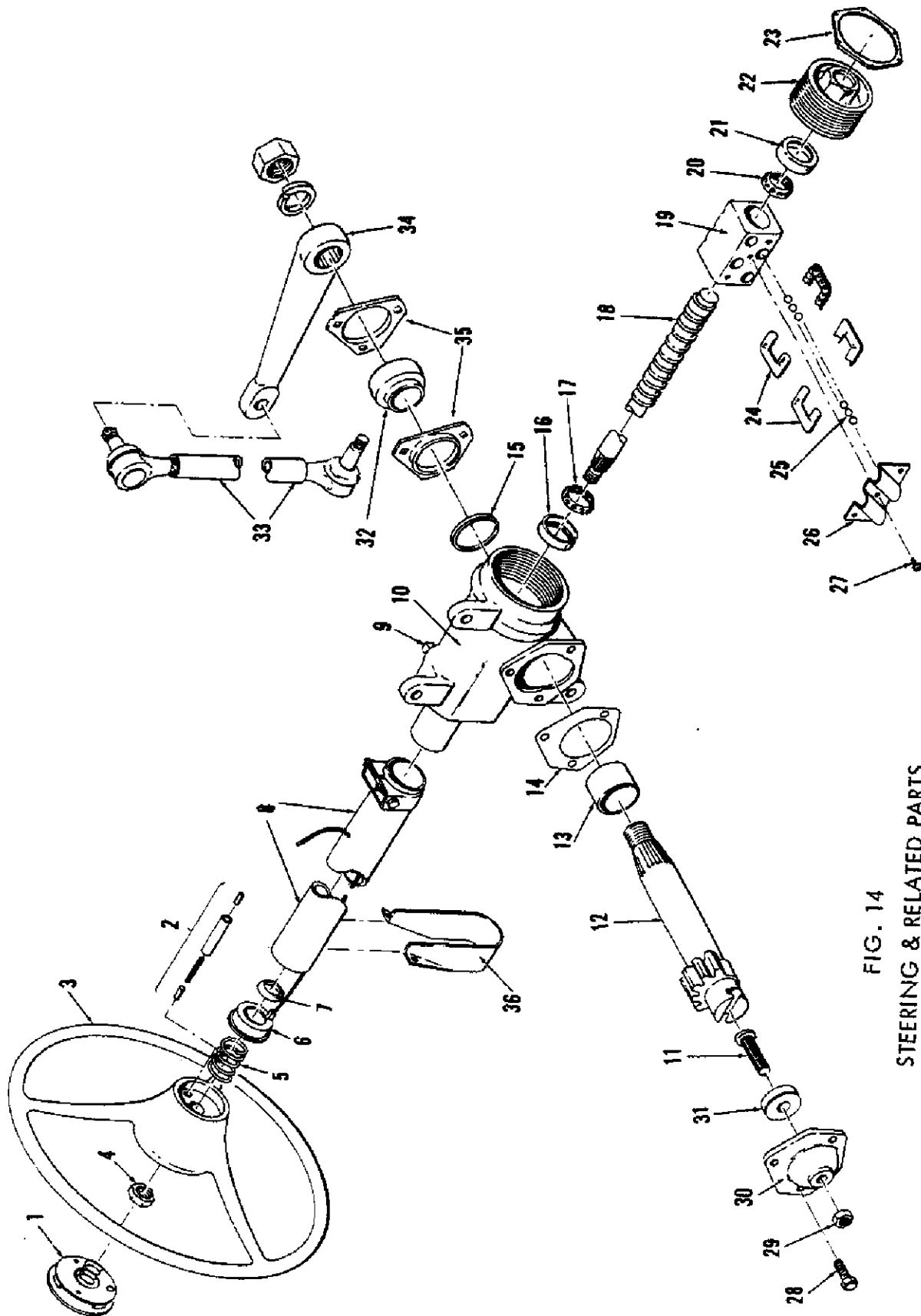


FIG. 14  
STEERING & RELATED PARTS

9/79



## Fig. 14 - STEERING &amp; RELATED PARTS

Ref. No.	TENNANT Part No.	Description	Qty.
1	47010	BUTTON, Horn	1
2	47011	BRUSH UNIT, Horn	1
3	47008	WHEEL, Steering	1
	47007	* COLUMN & GEAR ASSEMBLY	1
4	114496	NUT, Steering wheel (0.50"- 20 jam nut)	1
5	264832	SPRING	1
6	5695951	BEARING & CABLE ASSEMBLY	1
7	264831	SEAT, Spring	1
8	5695956	COLUMN	1
9	103868	PLUG, Filler	1
10	5692532	HOUSING	1
11	7802482	ADJUSTER, Lash	1
12	7812838	SECTOR AND SHAFT ASSEMBLY	1
13	266316	BUSHING, Sector shaft	1
14	566734	GASKET	1
15	7801626	SEAL	1
16	5666683	CUP, Upper worm bearing	1
17	5666693	BEARING, Upper ball	1
18	5695954	WORMSHAFT	1
19	5666886	NUT, Ball	1
20	5666693	BEARING, Lower ball	1
21	5666683	CUP, Lower worm bearing	1
22	5666681	WORM BEARING ADJUSTER	1
23	5676217	LOCKNUT, Worm bearing adjuster	1
24	5666887	BALL GUIDE	4
25	266800	BALLS	54
26	5666888	CLAMP, Ball guide	1
27	187375	SCREW, Ball guide clamp	1
28	7807009	BOLTS, Side cover	3
29	114495	LOCKNUT, Lash adjuster (0.44"-20 jam nut)	1
30	7802483	HOUSING SIDE COVER & BUSHING ASSY.	1
31	266903, 5, 7, 9	SHIM, Lash adjust	1
32	** 48050-1	BEARING	1
33	53481	LINK	1
34	35618	ARM, Steering, front	1
35	** 51449	RETAINER, Bearing	1
36	23315-2	SUPPORT, Steering column	1
	09385	CLAMP, Cable	1

\* COLUMN & GEAR ASSEMBLY part no.'s are Saginaw part no.'s.

\*\*Note: Bearing #48050-1 was 53043; Retainer #51449 was 53044.  
For Field Replacement of old bearing or retainer, order SK2360.

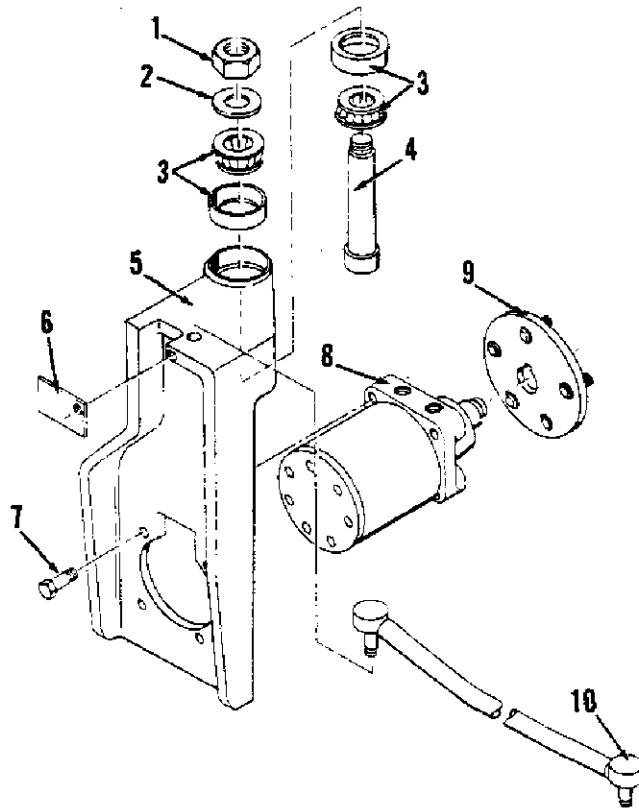


FIG. 15 - REAR WHEEL DRIVE MOTOR & SUPPORT PARTS GROUP

Ref. No.	TENNANT Part No.	Description	Qty.
1	14242	NUT	1
2	47719	WASHER	1
3	49225	BEARING & CONE ASSEMBLY, Motor support (includes 2 bearings & 2 cones)	1
4	24984	PIN, Support	1
5	53525A	SUPPORT	1
6	53528	BAR, Hose support	1
7	39305	SCREW, 0.50" - 13 x 2.75" (12.7 - 13 x 70 mm)	4
8	37041	MOTOR, Drive	1
	SK1951	SEAL KIT	1
9	53893	HUB ASSEMBLY, Drive wheel	1
	24338	STUD	5
10	53481	LINK, Steering	1

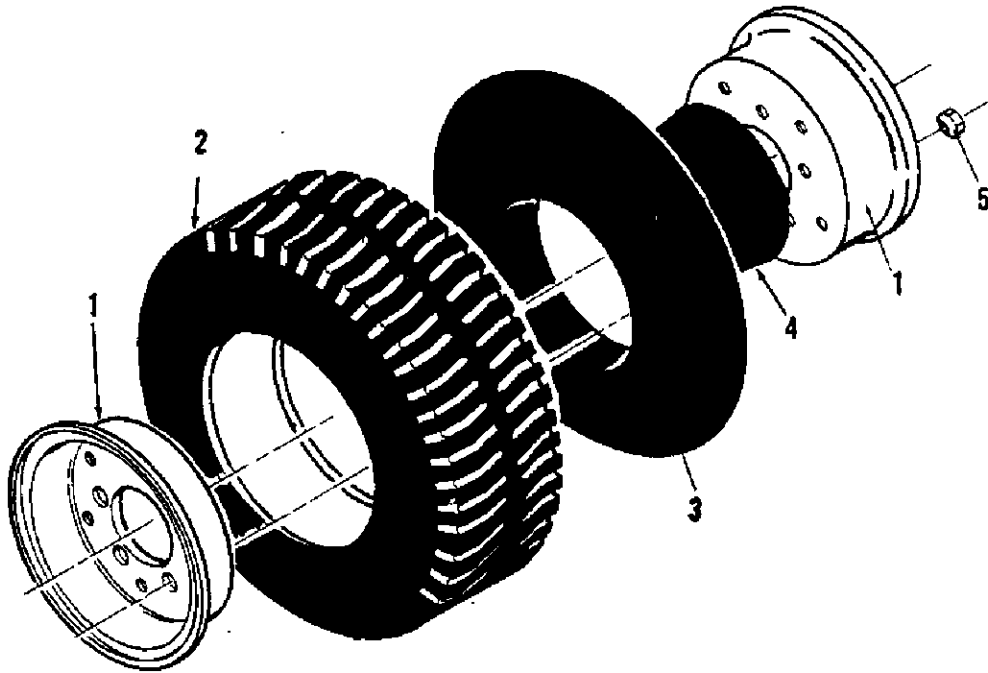


FIG. 16 -REAR DRIVE WHEEL PARTS GROUP

Ref. No.	TENNANT Part No.	Description	Qty.
	47550	WHEEL ASSEMBLY	1
1	53818	RIM	1 (pair)
2	47525	TIRE, 570/500-8, 6 ply)	1
3	53819-1	TUBE, Inner tire 570/500-8	1
	45786	CAP, Valve stem	1
4	53819-2	FLAP, Tire-tube	1
5	24339	NUT, Wheel	5

RIGHT & LEFT HAND  
WHEEL & AXLE ASSEMBLIES  
ARE THE SAME

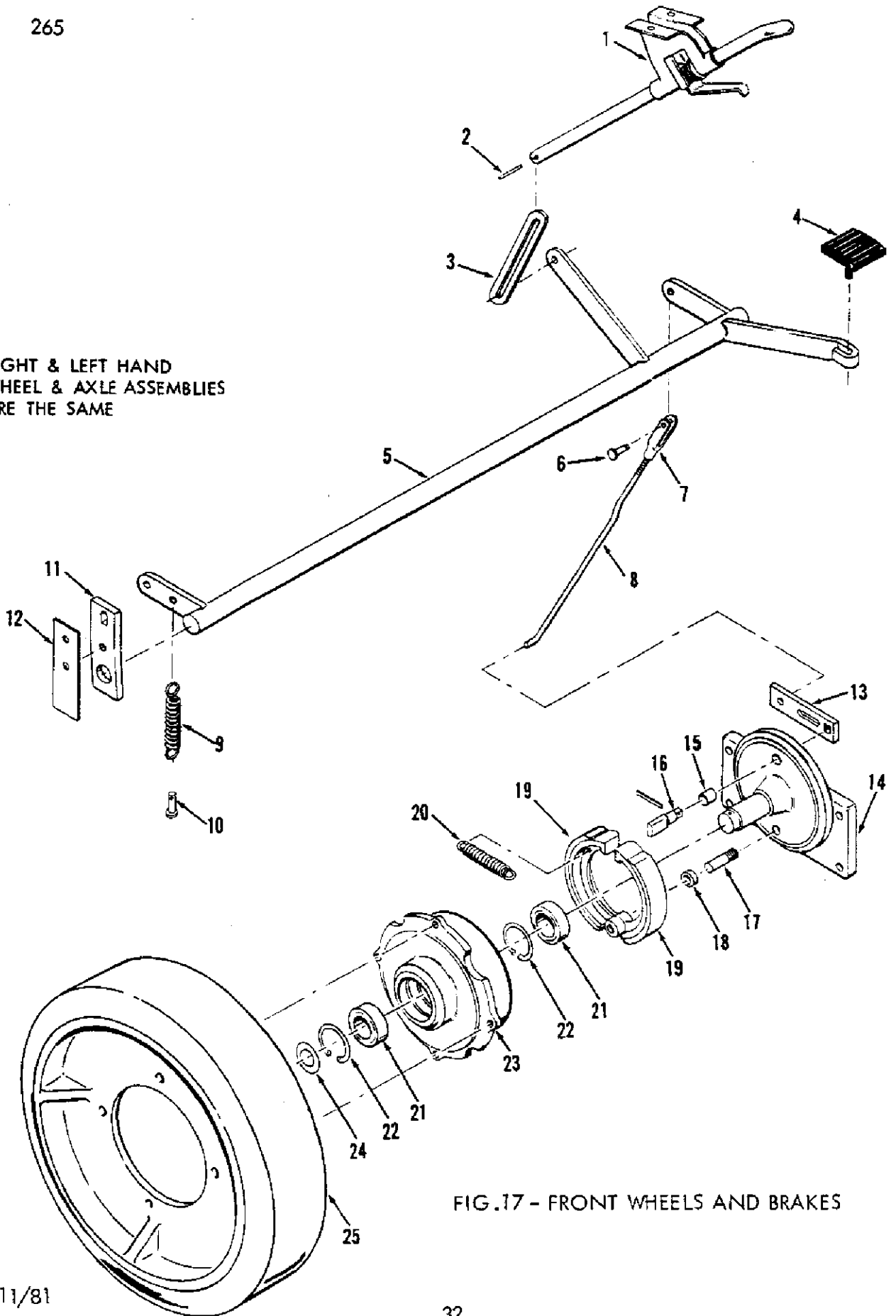


FIG.17 - FRONT WHEELS AND BRAKES

## FIG. 17- FRONT WHEEL &amp; BRAKES

Ref. No.	TENNANT Part No.	Description	Qty.
1	36913	BRAKE, Parking	1
2	18141	PIN, Roll	1
3	23529A	STRAP	1
4	07142	PAD	1
5	35676	SHAFT, Brake	1
6	14605	PIN, Clevis, 0.25" x 0.75" (6.4 x 19 mm)	1
7	14595-1	CLEVIS, Adjustable	1
8	23483-2	ROD, Adjusting	1
9	03091	SPRING	1
10	28296	PIN, Clevis, 0.25" x 0.50" (6.4 x 12.7 mm)	1
11	23280-2	HANGER	1
12	23758-1	SHIM, Hanger	as req.
	*19966	AXLE ASSEMBLY	2
13	23484	ARM	1
14	**19965	AXLE & BUSHING ASSEMBLY	1
15	24992	BUSHING	1
	20021	PIN, Roll	1
16	23272	CAM	1
17	10413	PIN, Threaded	1
18	10415	SPACER	1
19	10414	SHOE, Brake (2 per wheel)	2
20	09758	SPRING, Tension	1
	48076	WHEEL ASSEMBLY, Front	2
21	13534	BEARING	2
22	23244	RING, Retaining	2
23	23332	HUB	1
24	09006	SPACER	1
25	24120	TIRE & RIM ASSEMBLY	1
	25193A	WHEEL ASSEMBLY	1
	25197A	TIRE, Front, solid (bonded to rim)	1

\*To replace axle assembly on machines with serial number up to and including 8331 order SK2604.

\*\*To replace axle and bushing assembly on machines with serial number up to and including 8331 order SK2603.

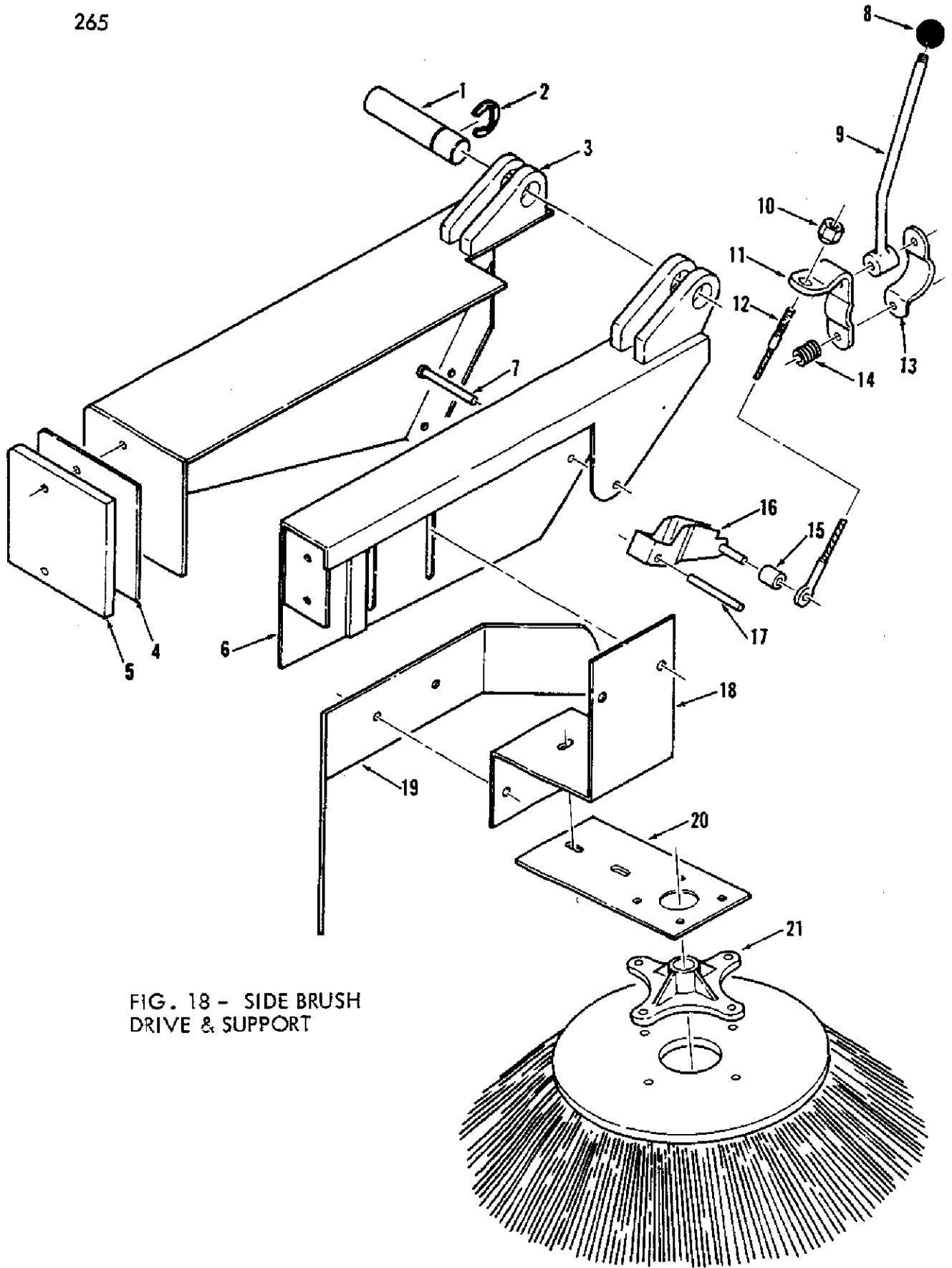


FIG. 18 - SIDE BRUSH DRIVE & SUPPORT

9/79

## FIG. 18 - SIDE BRUSH DRIVE &amp; SUPPORT PARTS GROUP

Ref. No.	TENNANT Part No.	Description	Qty.
1	36993	PIN	1
2	23788	RING, Retaining	1
3	36958	BUMPER, Side brush arm	1
4	48951-1	PLATE, Bumper end	1
5	36986	PLATE, Bumper end	1
6	55662	ARM, Side brush	1
7	23191	PIN, Clevis	1
8	26156	KNOB	1
9	35649	HANDLE	1
10	23293	NUT (0.31"- 24)	1
11	23307-1	LEVER, Lift handle	1
12	23294	CABLE ASSEMBLY, Side brush lift	1
13	23306-1	BRACKET, Clip	1
14	14174	SPRING	1
15	22143	SPACER	1
16	23503A	YOKE, Side brush lift	1
17	23536	PIN, Yoke pivot	1
18	53773	BRACKET, Bumper	1
19	53826	BUMPER	1
20	53772	MOUNT, Side brush motor	1
21	47501	ADAPTER, Side brush	1

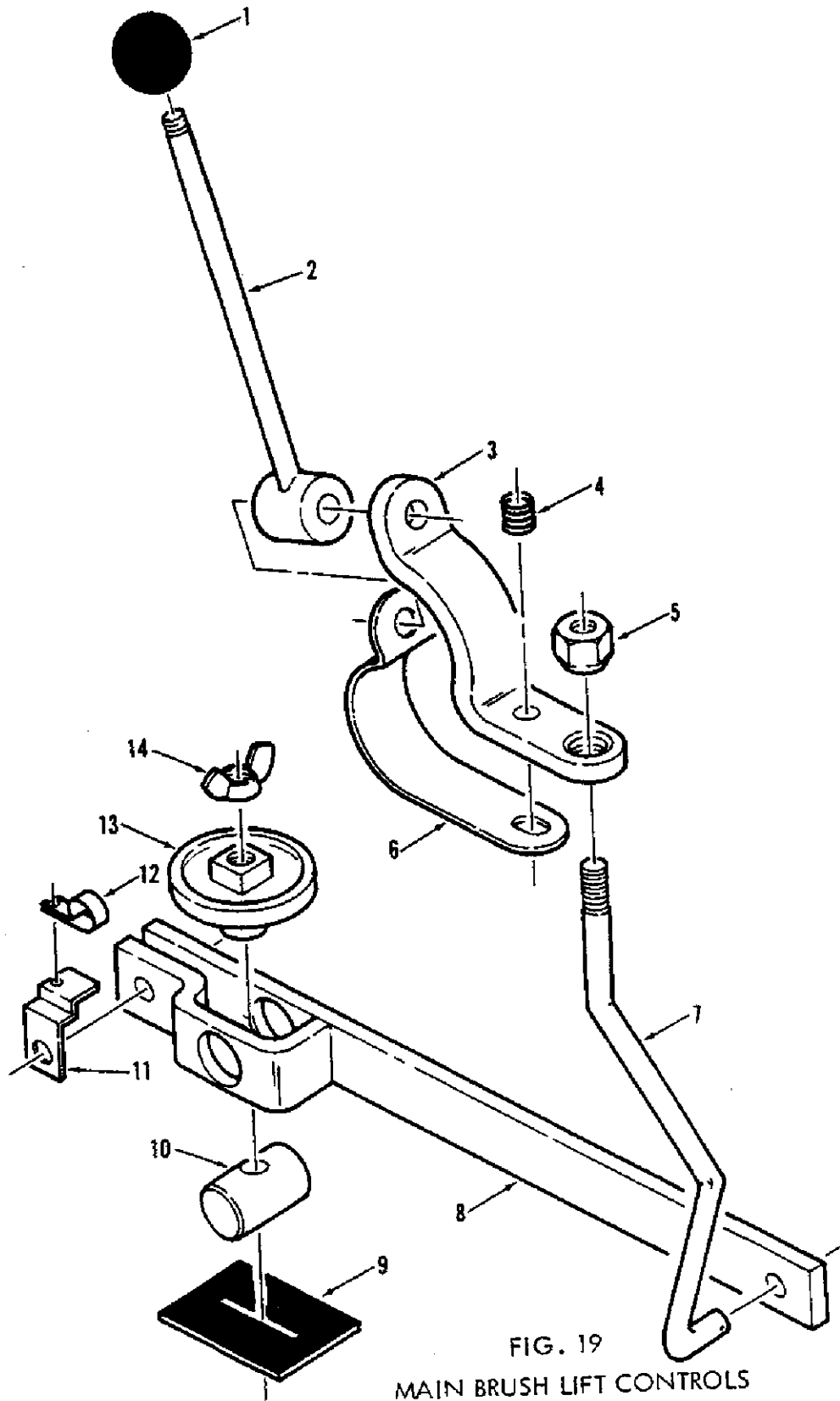


FIG. 19  
MAIN BRUSH LIFT CONTROLS



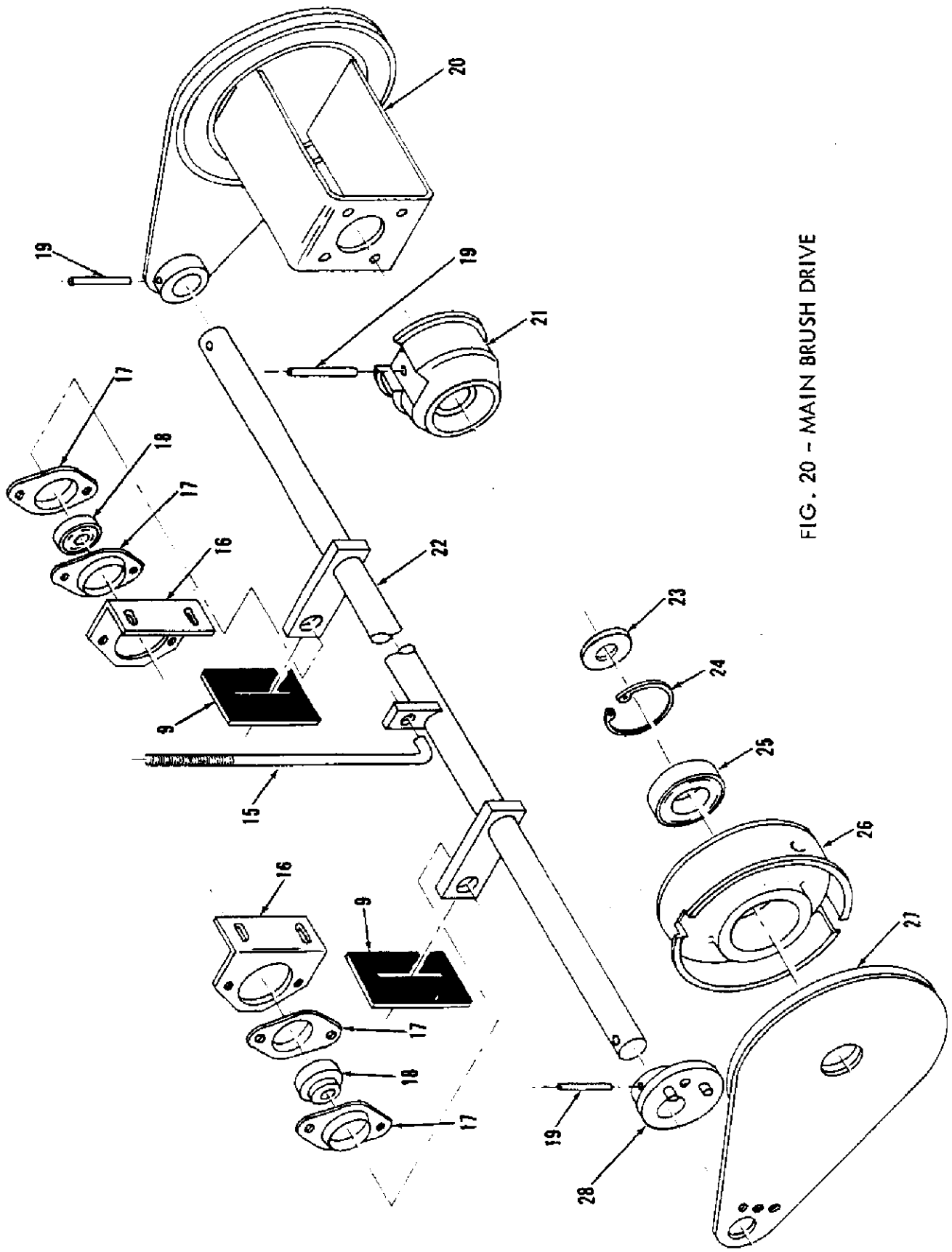


FIG. 20 - MAIN BRUSH DRIVE

## FIG. 19 &amp; 20 - MAIN BRUSH LIFT CONTROLS &amp; MAIN BRUSH DRIVE

Ref. No.	TENNANT Part No.	Description	Qty.
1	26156	KNOB	1
2	23304	HANDLE	1
3	53907	LEVER, Lift handle	1
4	14174	SPRING	1
5	24339	NUT, 0.50" - 20	1
6	53899	CLIP	1
7	53182	ROD, Lift	1
8	53876	ARM, Lift	1
9	53906	SEAL	3
10	51391	PIN	1
11	35593	BRACKET, Clamp	1
12	26395-2	CLAMP, Cable hold down	1
13	51452	KNOB, Brush height adjusting	1
14	G137156	NUT, Wing, 0.50" - 13	1
15	35677	ROD, Lift	1
16	* 50521	BRACKET, Countershaft bearing	2
17	* 35973	FLANGE, Countershaft bearing	4
18	* 23624	BEARING, Countershaft	2
19	20050	PIN, Roll, 0.31" x 1.88" (7.9 x 48 mm)	3
20	53169	ARM, Brush L.H.	1
21	51036	PLUG, Brush drive	1
22	35674	SHAFT, Counter	1
	53187	ARM & PLUG ASSEMBLY, Brush R.H.	1
23	51564	WASHER	1
24	51046	RING, Retaining	1
25	24899	BEARING, Brush idler plug	1
26	51984	PLUG, Brush idler	1
27	53168	ARM, Brush R.H.	1
	53985	PLUG, Threaded dust, 0.50" - 13	1
28	53138	HUB, Countershaft end	1

\* Note: Bracket #50521 was 53132; Flange #35973 was 53879 and Bearing #23624-1 was 53878. For Field Replacement of former parts order SK2361

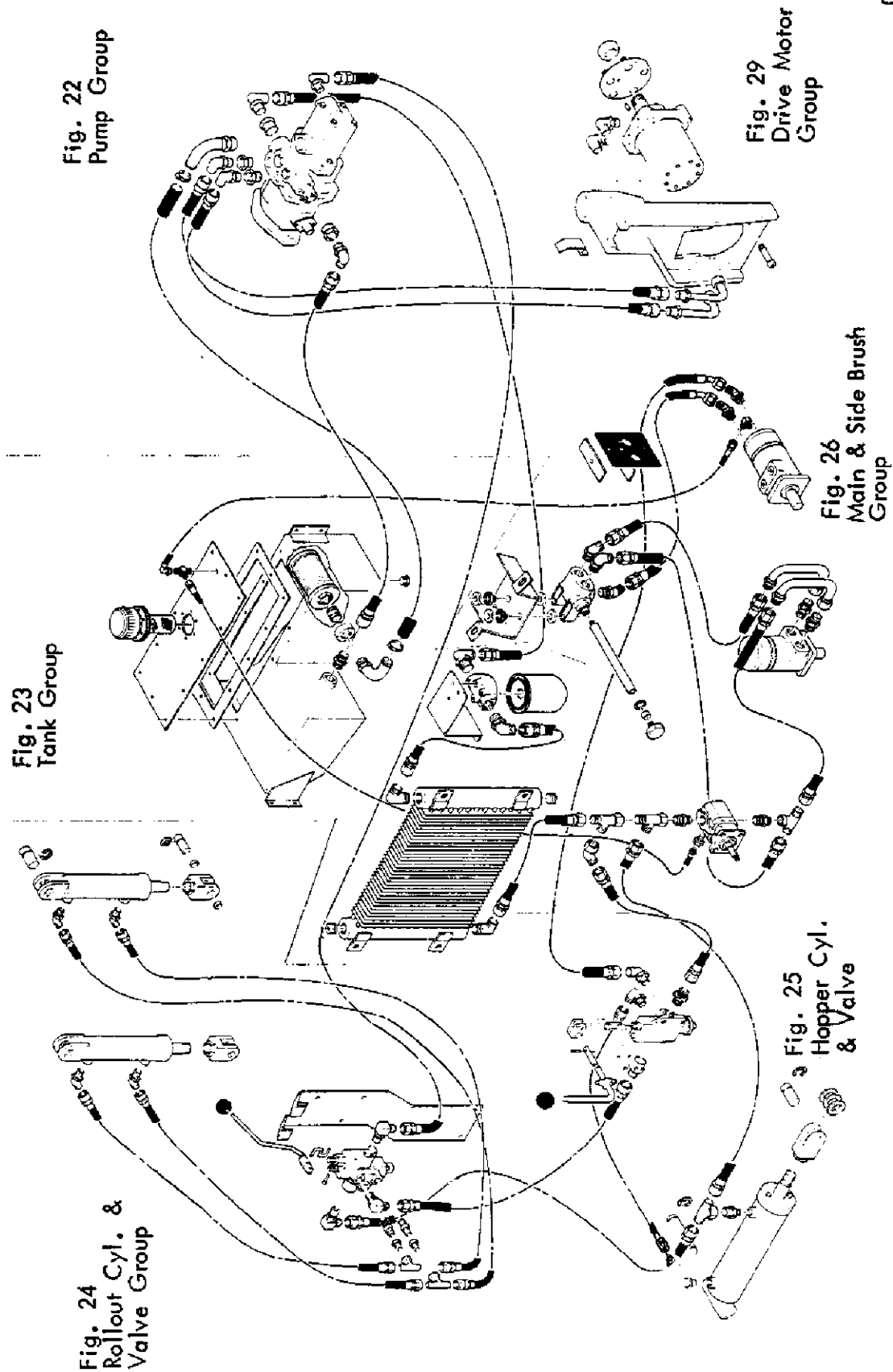


FIG. 21 - MODEL 265 HI-DUMP COMPLETE HYDRAULIC SYSTEM WITH VICKERS PUMP (Use this drawing as a guide to find parts needed, then refer to parts illustration and list on following pages.)

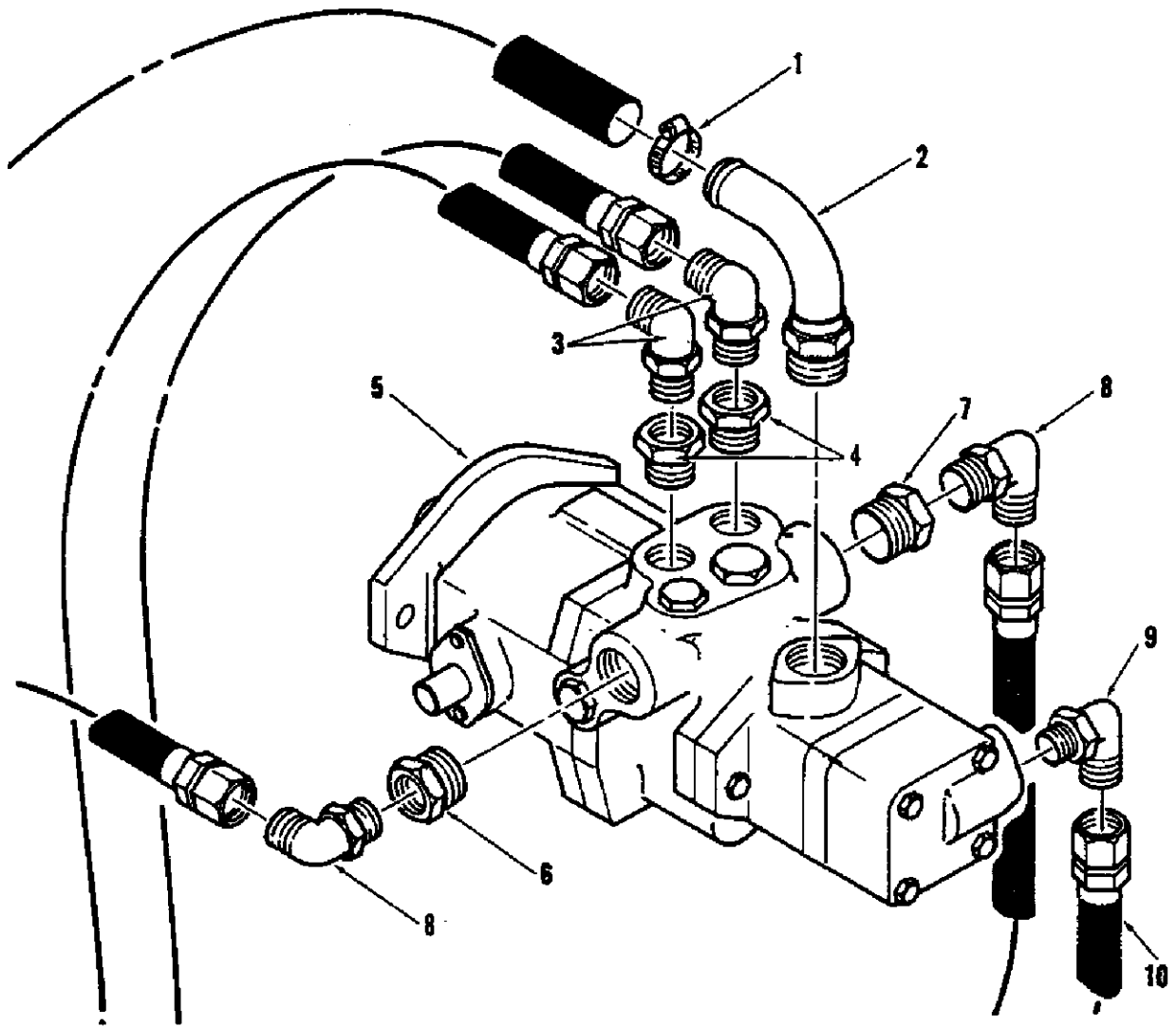


FIG. 22 - VICKERS PUMP and FITTINGS PARTS

FIG. 22 - VICKERS PUMP AND FITTINGS

Ref. No.	TENNANT Part No.	Description	Qty.
1	29696	CLAMP	1
2	47696	ELBOW	1
3	51782	ELBOW	2
4	47516	CONNECTOR	2
5	47861	*PUMP, Complete tandem (Vickers)	1
	* SK1344	SEAL KIT , Complete	1
6	50430	CONNECTOR	1
7	47934	CONNECTOR	1
8	53076	ELBOW	2
9	56827	ELBOW	1
10	47517-1	HOSE	1

\*NOTE: Shaft seal kit is SK1345.

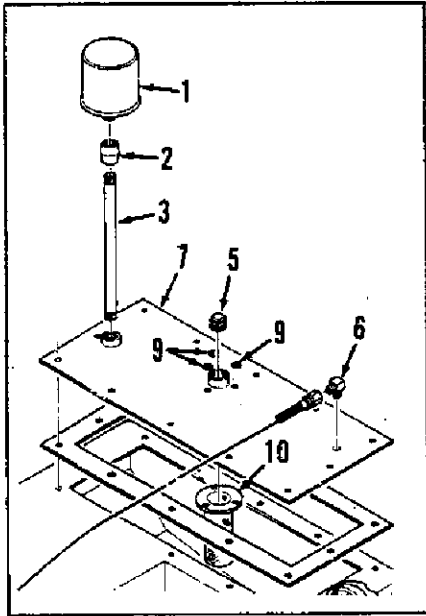


FIG. 23  
HYDRAULIC TANK PARTS GROUP

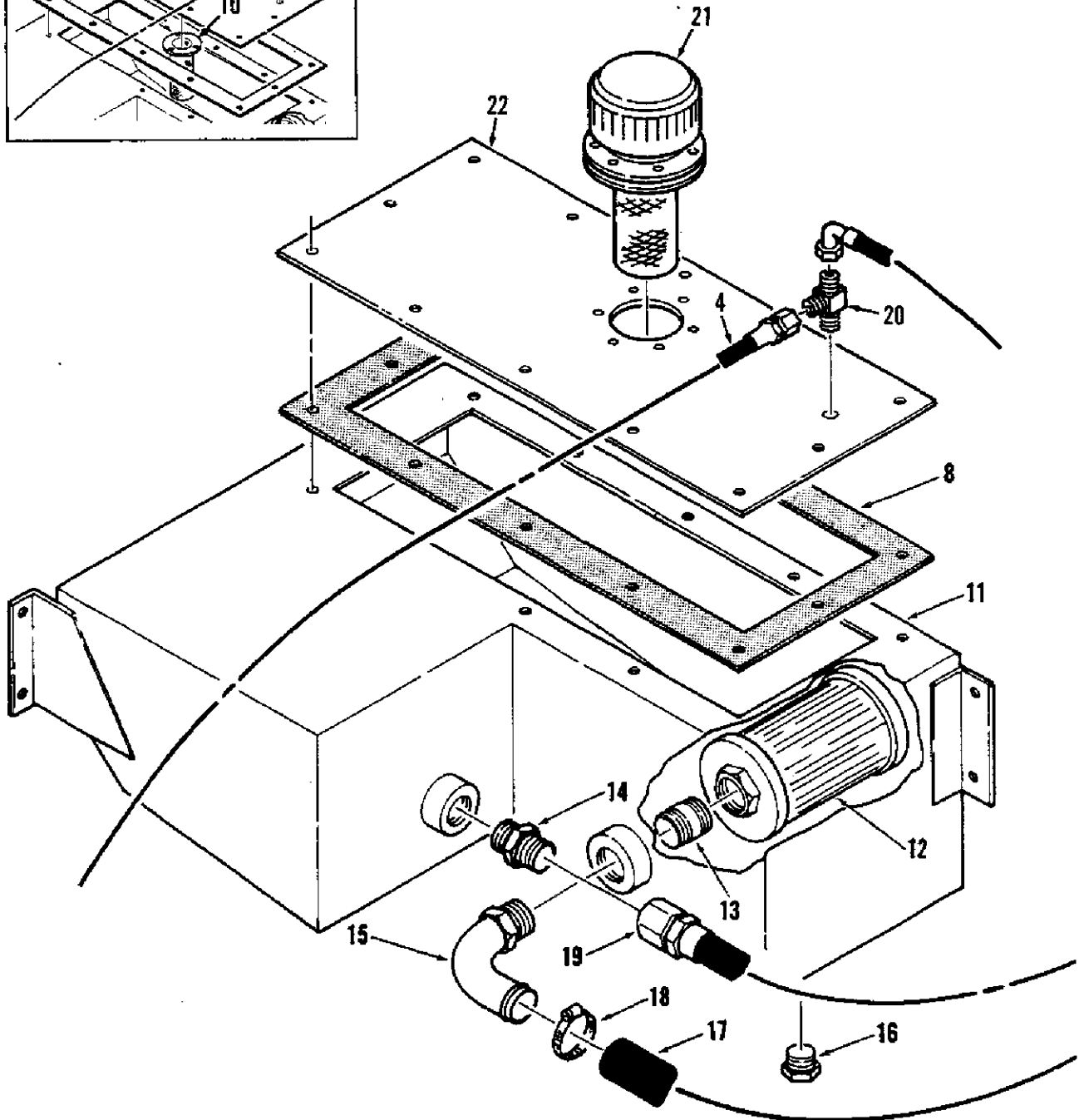


FIG. 23 - HYDRAULIC TANK PARTS GROUP

Ref. No.	TENNANT Part No.	Description	Qty.
1	*53430	VALVE ASSEMBLY, Breather & Relief	1
	*53431	ELEMENT, Breather	1
2	*10222	COUPLING	1
3	*10221	NIPPLE	1
4	56322	HOSE	1
5	*48117	PLUG, Filler	1
6	*06507	ELBOW	1
7	*SK2720	COVER, Hydraulic tank	1
8	33753	GASKET	1
9	*50022	WASHER	3
10	*48086	SCREEN, Tank filler	1
11	54873	TANK, Hydraulic fluid	1
12	51885	SCREEN, Tank sump	1
13	02546	NIPPLE, Sump screen	1
14	46480	CONNECTOR	1
15	47695	ELBOW	1
16	40362	PLUG, Tank drain	1
17	32375	HOSE	1
18	29696	CLAMP	1
19	53083T04	HOSE	1
20	34369	TEE	1
21	34306	CAP, Filler breather	1
22	33574	COVER, Hydraulic tank	1

\* Used on machines with serial number up to and including 8972.

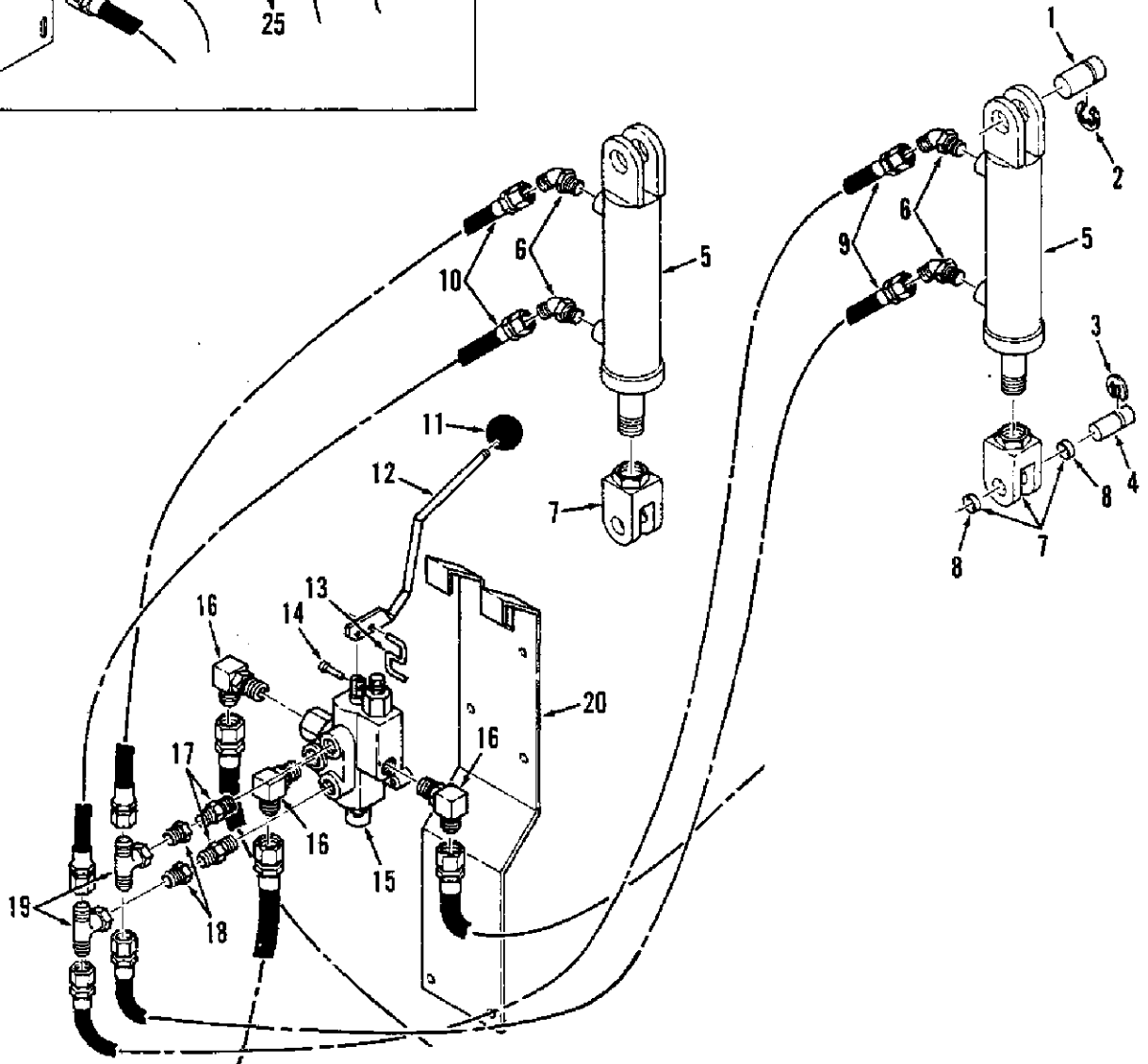
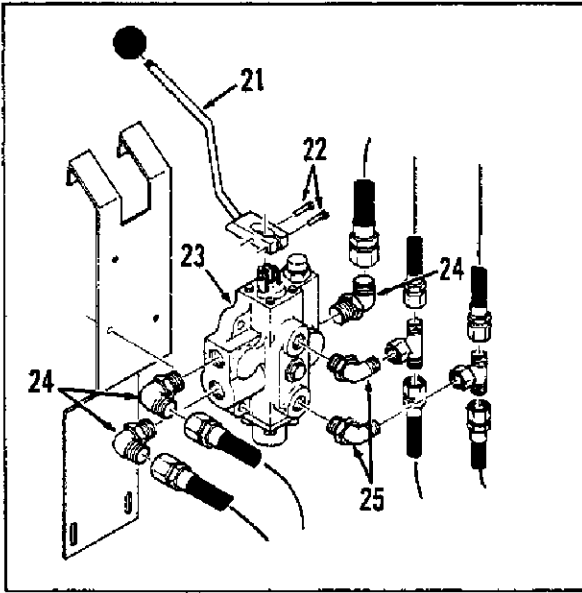


FIG. 24 - ROLLOUT CYLINDERS & CONTROL VALVE GROUP



FIG. 24 - ROLLOUT CYLINDERS & CONTROL VALVE GROUP

Ref. No.	TENNANT Part No.	Description	Qty.
1	23145	PIN, Clevis	2
2	23788	RING, Retaining	2
3	23788-1	RING, Retaining	2
4	37016	PIN	2
	*SK2026	CYLINDER ASSEMBLY REPLACEMENT KIT	2
	37081	CYLINDER ASSEMBLY, Rollout	2
5	**SK2025	CYLINDER REPLACEMENT KIT	1
5	37080	CYLINDER, Rollout	1
	SK1869	SEAL KIT	1
6	47522	ELBOW, 45°	2
7	37015	CLEVIS	1
8	37014	BEARING, Journal	2
9	35583	HOSE	2
10	32760	HOSE	2
11	26565	KNOB	1
12	32757	HANDLE	1
13	32759	LINK, "S" hook	1
14	14605	PIN, Clevis	1
15	32752	VALVE, Cylinder control	1
	SK1842	SEAL KIT	1
16	44868	ELBOW	3
17	56690	CONNECTOR	2
18	32754	ELBOW	2
19	35586	TEE	2
20	48940	BRACKET, Valve mounting	1
21	+36999	HANDLE	1
22	+50498	PIN, Clevis	2
23	+SK2615	VALVE REPLACEMENT KIT	1
24	51782	ELBOW	3
25	+SK2666	RESTRICTOR FITTING REPLACEMENT KIT	2

\* For machines with serial number up to and including 3229.

\*\* For machines with serial number up to and including 3229. (This kit contains two cylinders - it is necessary to replace both.)

+ For machines with serial number up to and including 8327.

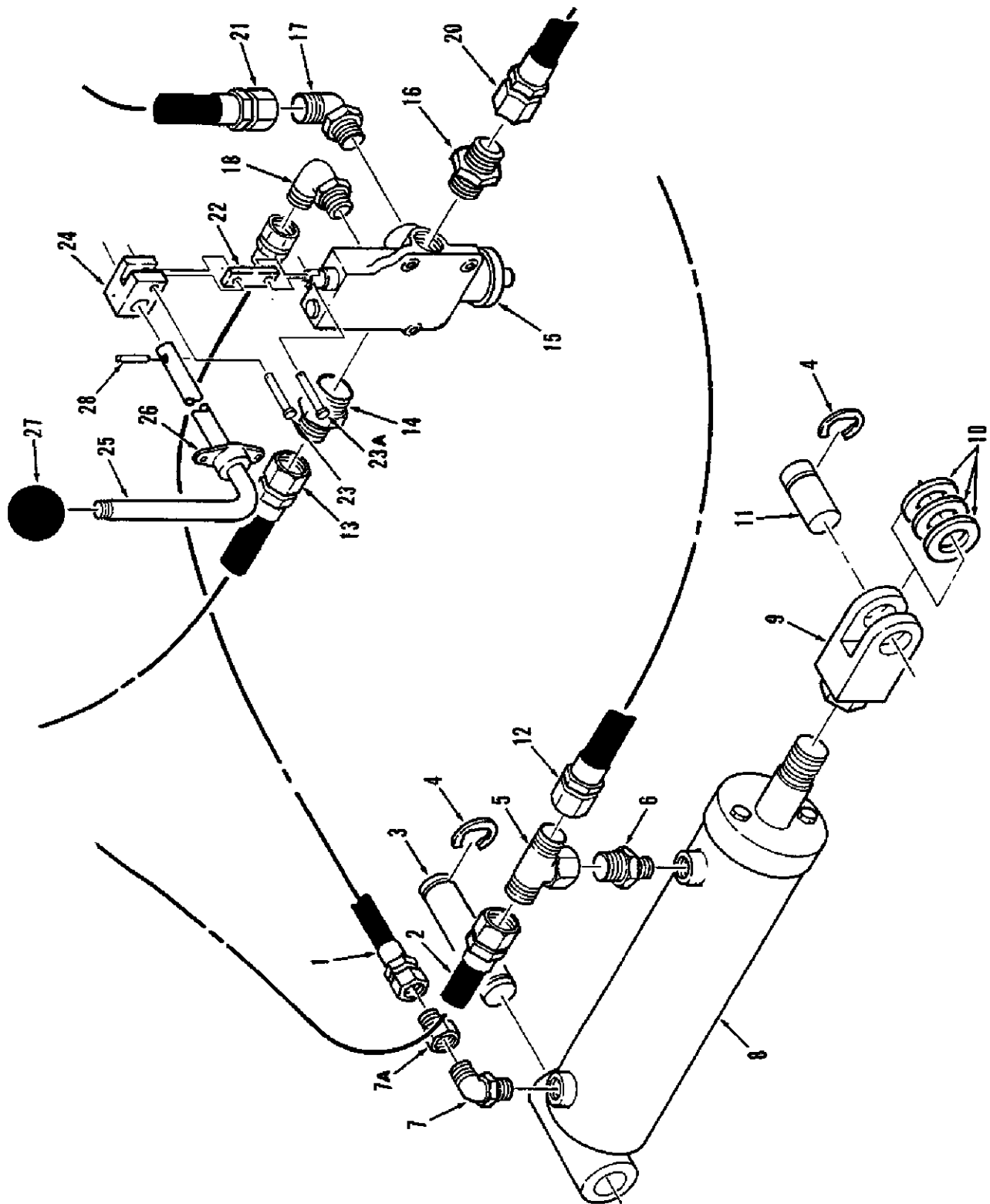


FIG. 25 - DUMP CYLINDER & ACCESSORIES CONTROL VALVE

FIG. 25 - DUMP CYLINDER & ACCESSORIES CONTROL VALVE

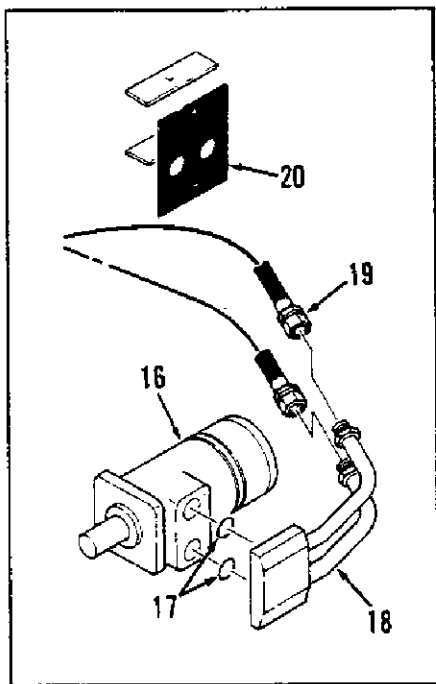
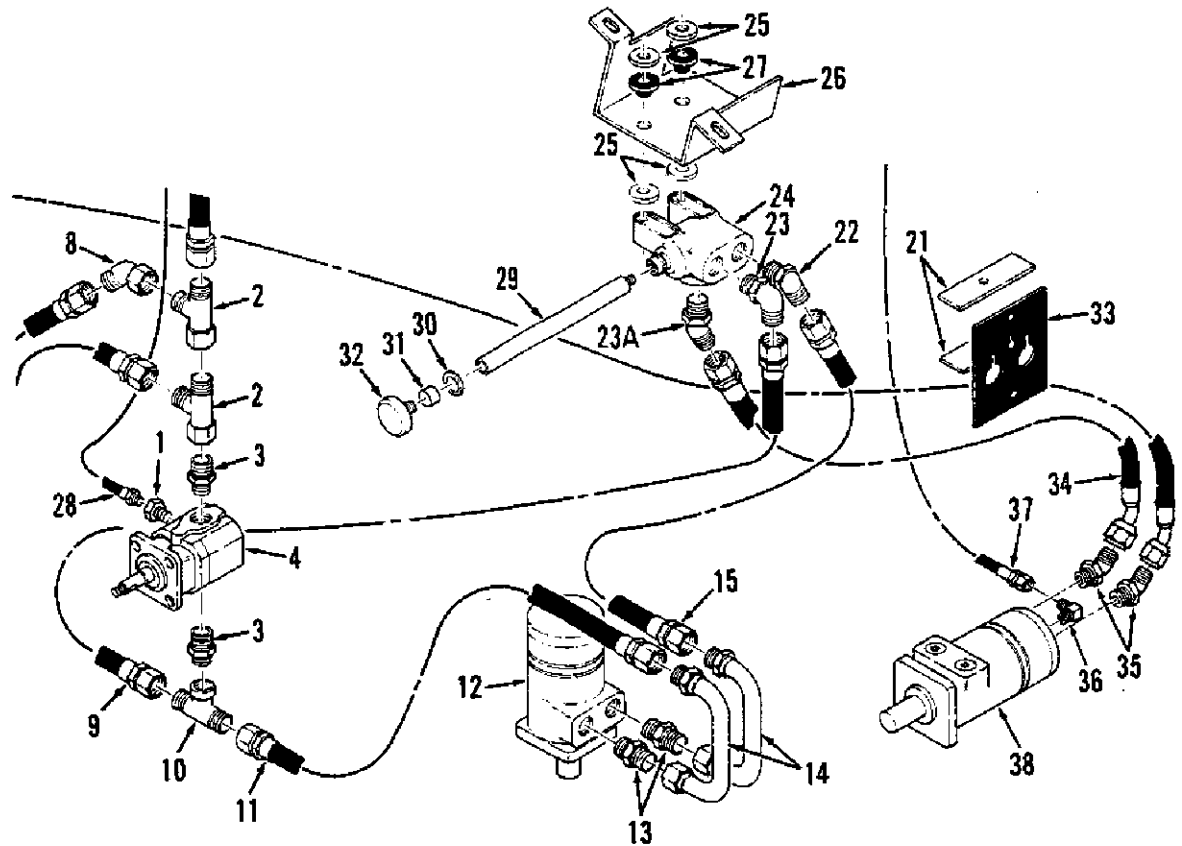
Ref. No.	TENNANT Part No.	Description	Qty.
1	47825	HOSE	1
2	52374	HOSE	1
3	35515	PIN, Dump cylinder pivot	1
4	23788	RING, Retaining	3
	++39206	CYLINDER ASSEMBLY, Dump	1
5	50421	TEE	1
6	35587	CONNECTOR	1
7	+56820	ELBOW	1
7A	+32754	RESTRICTOR	1
8	48981	CYLINDER, Dump	1
	SK1805	SEAL KIT	1
9	++32942	CLEVIS, Dump cylinder	1
10	35688	BEARING, Clevis journal	2
11	23145	PIN, Dump cylinder clevis	1
12	51753	HOSE	1
13	53083-6	HOSE	1
14	46480	CONNECTOR, In-port	1
	42223	CONNECTOR, In-port (used with Cross valves)	1
15	62550	VALVE, Dukes	1
	SK1863	SEAL KIT	1
	48 290	** VALVE, Obsolete Cross	1
	SK1842	SEAL KIT	1
	50435	** VALVE, Obsolete Cross	1
	SK1842	SEAL KIT	1
	48337	** VALVE, Obsolete Dukes	1
	SK 1863	SEAL KIT	1
16	46480	CONNECTOR	1
	53076	ELBOW, Out-port (used with Cross Valves)	1
17	44868	ELBOW (use elbow 56827 before S/N9003)	1
18	47512	ELBOW	1
20	53083-20	HOSE	1
21	16473	HOSE (use hose 53083-3 before S/N 9003 )	1
22	*32751	LINK, Connecting	1
23	*51727	PIN, Clevis	1
23A	*14605	PIN, Clevis	1
24	*32750	LEVER, Valve control	1
25	54054	HANDLE	1
26	47585	BEARING, Control handle	1
27	26156	KNOB	1
28	28270	PIN, Roll	1

+Machines with serial number up to and including 8326, order SK2703.

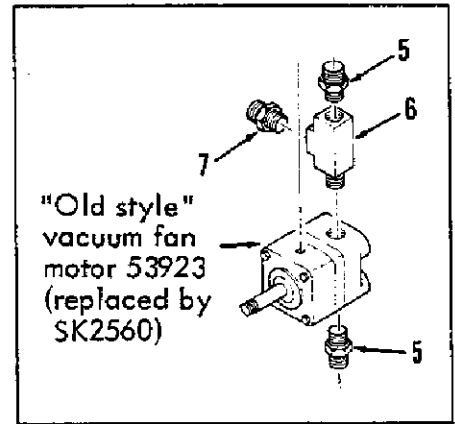
++Machines with serial number up to and including 7777, order SK2555 for replacement of Cylinder assembly. To replace clevis on machines with serial number up to and including 7777, order SK2554.

\*Machines with serial number up to and including 7899 used old-style linkage. To replace former design, order SK2563.

\*\*To replace obsolete valves, order SK2552.



"Old style" main brush motor replaced by SK2810



"Old style" vacuum fan motor 53923 (replaced by SK2560)

FIG. 26 - MAIN BRUSH, SIDE BRUSH & VACUUM FAN MOTORS & CONTROL VALVE

1/84

FIG. 26 - MAIN BRUSH, SIDE BRUSH & VACUUM FAN MOTORS & CONTROL VALVE

Ref. No.	TENNANT Part No.	Description	Qty.
1	76835	CONNECTOR	1
2	51779	TEE	2
3	47518	CONNECTOR	2
4	77110	**MOTOR, Vacuum fan (includes hardware)	1
	SK2561	SEAL KIT	1
5	46607	CONNECTOR (old style)	2
6	17400-11	TEE (old style)	1
7	47721	CONNECTOR (old style)	1
8	54194	ELBOW, 45° (no longer used)	1
9	53083-1	HOSE	1
10	50421	TEE	1
11	53083-6	HOSE	1
12	47542	MOTOR, Side brush (Ross)	1
	SK1694	SEAL KIT	1
	47650-12	MOTOR, Side brush (Char-Lynn)	1
	SK1600	SEAL KIT	1
13	46480	CONNECTOR	2
14	54044	TUBE, Side brush motor	2
15	53083-18	HOSE	1
16	SK2810	***MOTOR, Main brush (Ross)	1
	SK1694	SEAL KIT	1
	SK2810	***MOTOR, Main brush (Char-Lynn)	1
	SK1600	SEAL KIT	1
17	51403	***O-RING	2
18	62302	***BLOCK, Porting	1
19	53083-2	***HOSE	1
20	32103	*SEAL, Brush wrap hose	2
21	53489	STRIP	1
22	44936	ELBOW, 45°	1
23	51782	ELBOW	1
23A	44936	***ELBOW, 45°	1
23A	47513	ELBOW, 45°	1
24	48108A	VALVE, Side brush shut-off (Gresen)	1
	SK1288	SEAL KIT	1
	48108B	VALVE, Side brush shut-off (Dukes)	1
	SK1806	SEAL KIT	1
25	30013	WASHER	4
26	54722A	BRACKET, Valve mounting	1
27	54274	ISOLATOR, Vibration	2
28	56322	HOSE	1
29	32165	EXTENSION, Valve handle	1
30	10632-9	GROMMET	1
31	46564	BUSHING (no longer used)	1
32	48108A-1	KNOB, Valve handle	1
33	82799	SEAL, Hose	1
34	16463	HOSE	1
35	42226	ELBOW, 45°	2
36	82825	ELBOW	1
37	16474	HOSE	1
38	34423	MOTOR, Main brush (Char-Lynn)	1
	SK1600	SEAL KIT	1

\* To replace previous seal used on machines before serial number 6818, order SK2386

\*\* SK2560 replaces motor on machines with S/N below 7700 - Seal Kit is SK2561 for both.

1/84 \*\*\* Used on machines with serial number up to and including 9002.

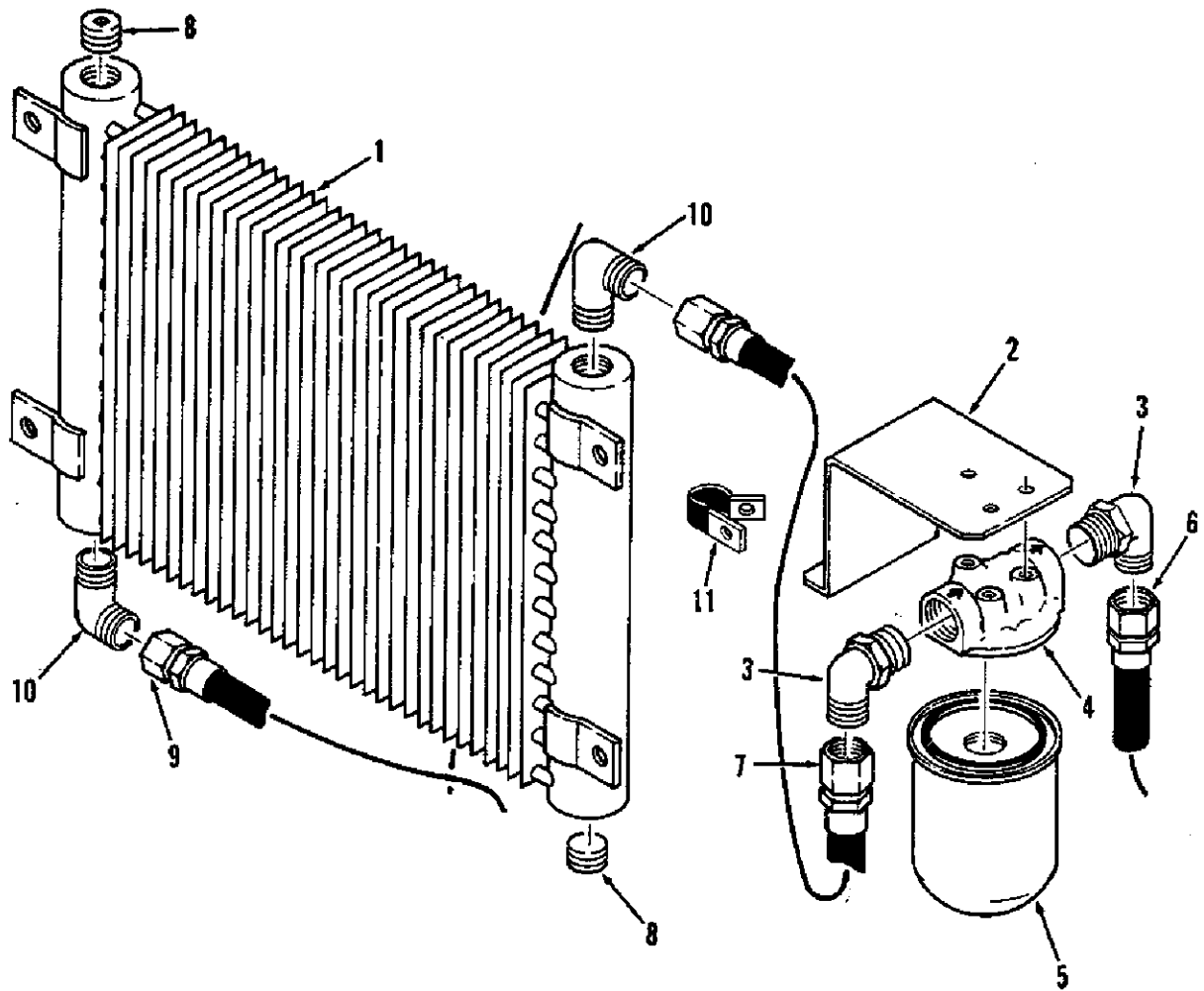


FIG. 27A - HEAT EXCHANGER & OIL FILTER  
(For machines with s/n 8157 and above)

Ref. No.	TENNANT Part No.	Description	Qty.
1	78227	EXCHANGER, Heat	1
2	54879	BRACKET, Oil filter mounting	1
3	53076	ELBOW	2
4	67718	FILTER ASSEMBLY, Hydraulic fluid (std. Deluxe)	1
5	* 67718-2	ELEMENT, Oil filter (std. Deluxe)	1
6	52908	HOSE	1
7	53083-5	HOSE	1
8	05178	PLUG	2
9	53083-10	HOSE	1
10	46611	ELBOW	1
11	26395-1	CLAMP, Hose	2

\*Note: Either Deluxe Products or Ripley filters may be used . The element part number is printed on the element.

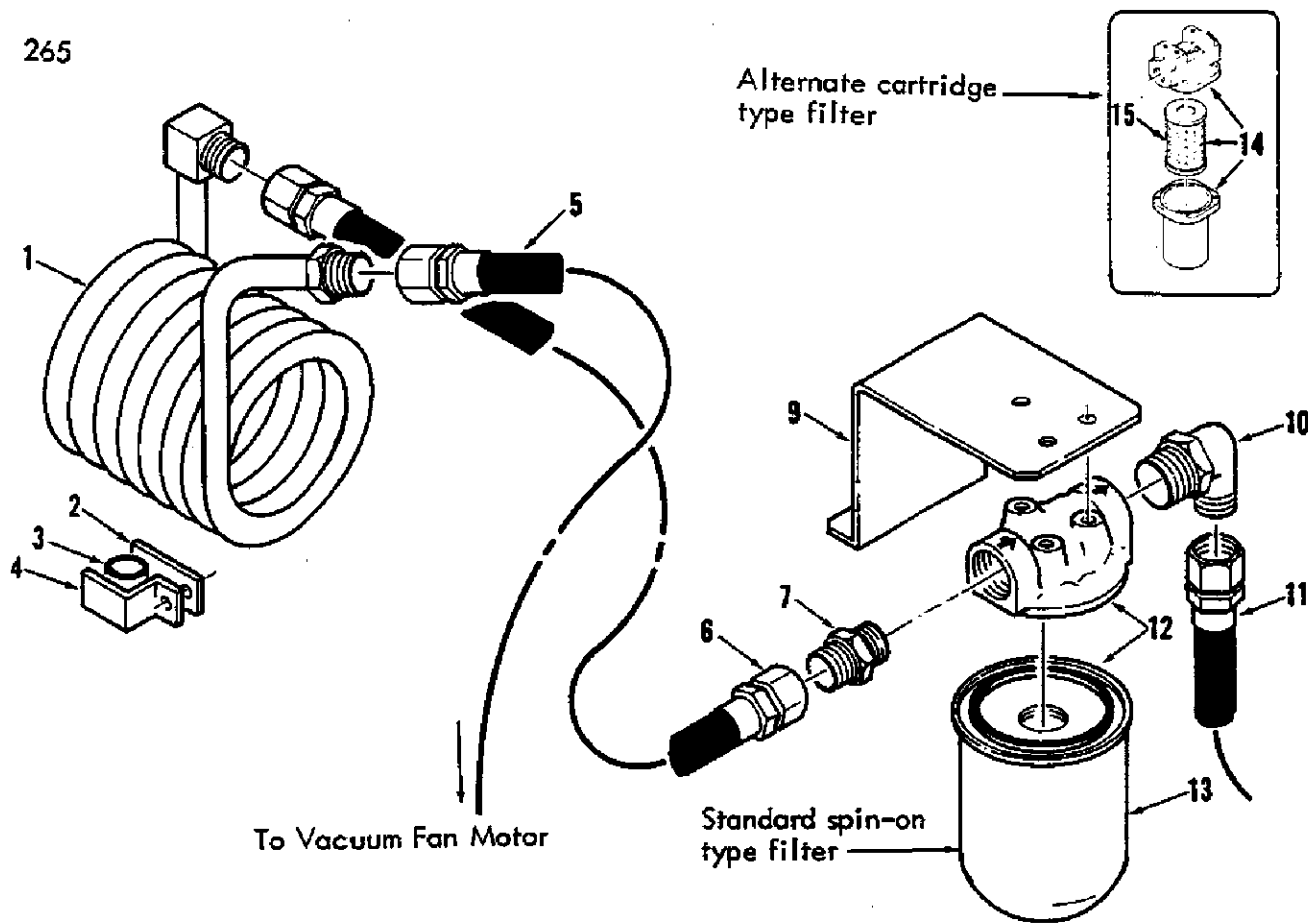


FIG. 27 - HEAT EXCHANGER & OIL FILTER  
(For machines with s/n up to and including 8156)

Ref. No.	TENNANT Part No.	Description	Qty.
1	53086	EXCHANGER, Heat	1
2	54214	BACKING, Clamp	1
3	54492	HOSE, Split	1
4	54493	CLAMP	1
5	52908	HOSE	1
6	51753-1	HOSE	1
7	42223	CONNECTOR	1
9	54879	BRACKET, Oil filter mounting	1
10	53076	ELBOW	1
11	53083-3	HOSE	1
12	67718	FILTER ASSEMBLY, Hydraulic oil (Std Deluxe)	1
13	67718-2	* ELEMENT, Oil filter (Std. Deluxe)	1
14	53348B	FILTER ASSEMBLY, Hydraulic oil (Alt Ripley)	1
15	53348-1	* ELEMENT, Oil filter (Alt Ripley) (O-Ring for filter is DH1004)	1

\*NOTE: Either Deluxe Products or Ripley filters may be used. Please check your machine before ordering filter elements. The element part number is printed on the element.

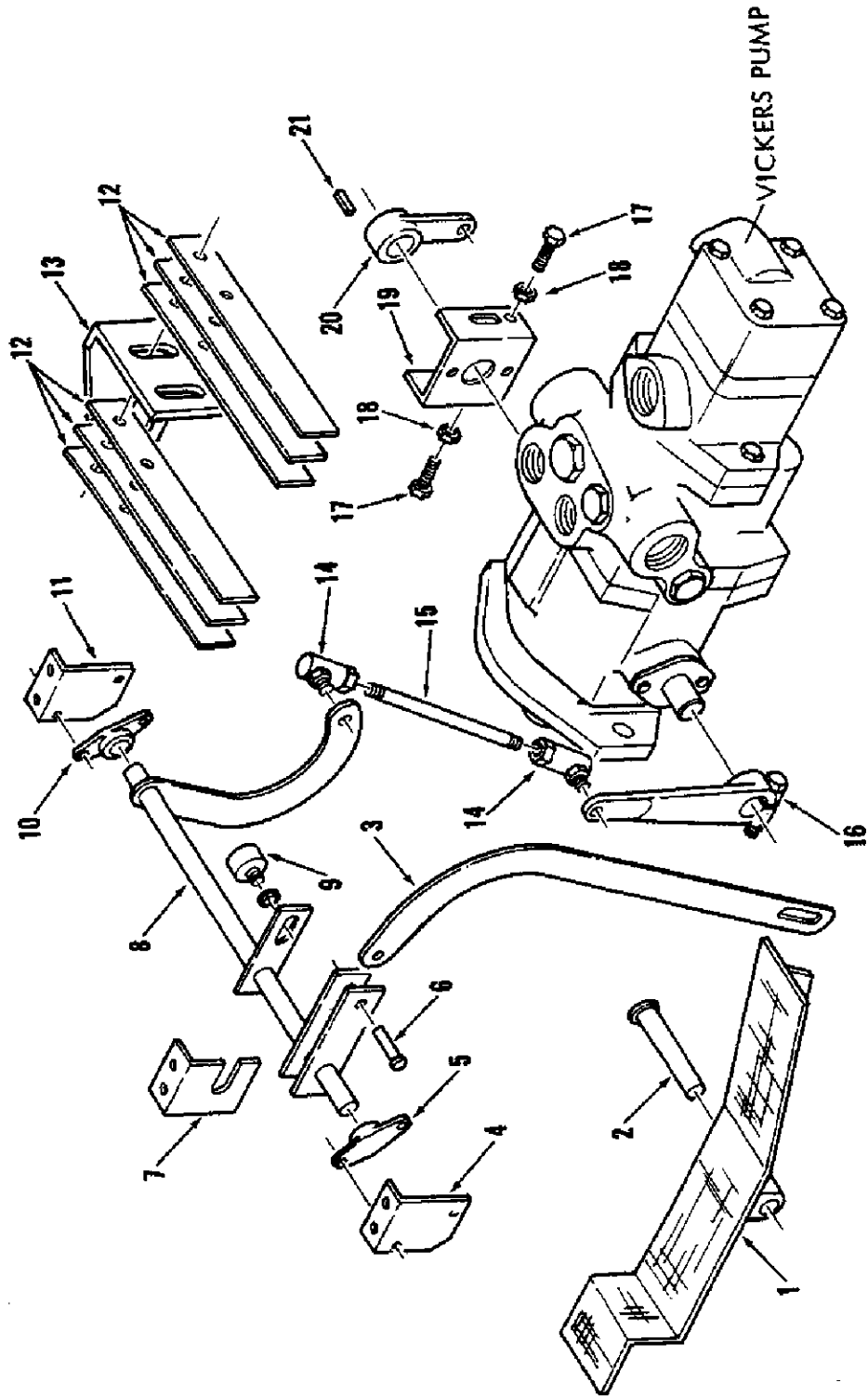


FIG. 28- PUMP CONTROL LINKAGE PARTS GROUP



FIG. 28 - PUMP CONTROL LINKAGE

01905

Ref. No.	TENNANT Part No.	Description	Qty.
1	42240	PEDAL, Foot control	1
2	06474A	PIN, Clevis	1
3	36956	ARM	1
	47762	SUPPORT ASSEMBLY, Control rod R.H.	1
4	53351A	SUPPORT, Control rod	1
5	53352	BEARING, Control rod	1
6	09088	PIN, Clevis	1
7	35600	SUPPORT, Follower cam	1
8	37012	ROD, Pump control	1
9	48930	CAM, Follower	1
	47762-1	SUPPORT ASSEMBLY, Control rod L.H.	1
10	53351A	SUPPORT, Control rod	1
11	53352	BEARING, Control rod	1
12	49681	SPRING, Pump arm centering	6
13	19840	SUPPORT, Pump centering spring	1
14	14506	BALLJOINT	2
15	47931	ROD, Pump control	1
16	50426	ARM, Pump control	1
17	-	BOLT, Hex cap, 0.25" - 20 x 1"	2
18	-	NUT, 0.25" - 20	2
19	47938	BRACKET, Speed limiter	1
20	47937	ARM, Shock absorber mounting	1
21	00911	KEY	1
	62700	SHOCK ABSORBER (no longer used)	1
	47939	MOUNT, Shock absorber (no longer used)	1
	14506	BALLJOINT, Shock absorber (no longer used)	1

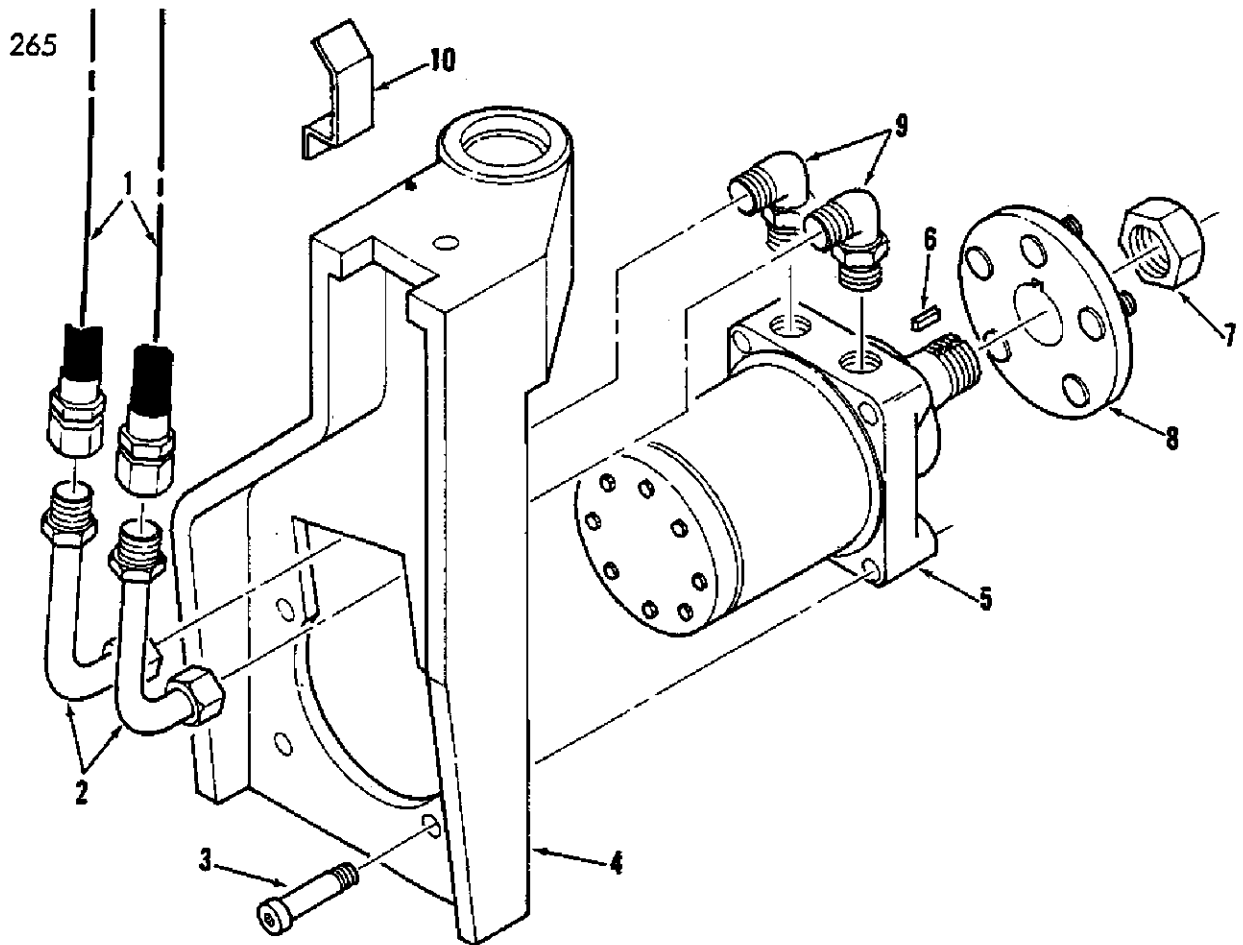


FIG. 29 - REAR DRIVE MOTOR

Ref. No.	TENNANT Part No.	Description	Qty
1	53084-3	HOSE	2
2	53004	TUBE	2
3	39305	BOLT, Socket head, 0.50" - 13 x 2.75"	4
4	53525A	SUPPORT, Rear drive motor	1
5	37041	** MOTOR, Rear drive	1
	SK1951	SEAL KIT	1
6	*039027	KEY	1
7	*025126	NUT	1
8	53893	HUB AND STUD ASSEMBLY	1
9	51782	ELBOW	2
10	54217	SUPPORT, Hose	1

\*Ross Company part number

\*\*For parts breakdown, see "Hydraulic Components" section.

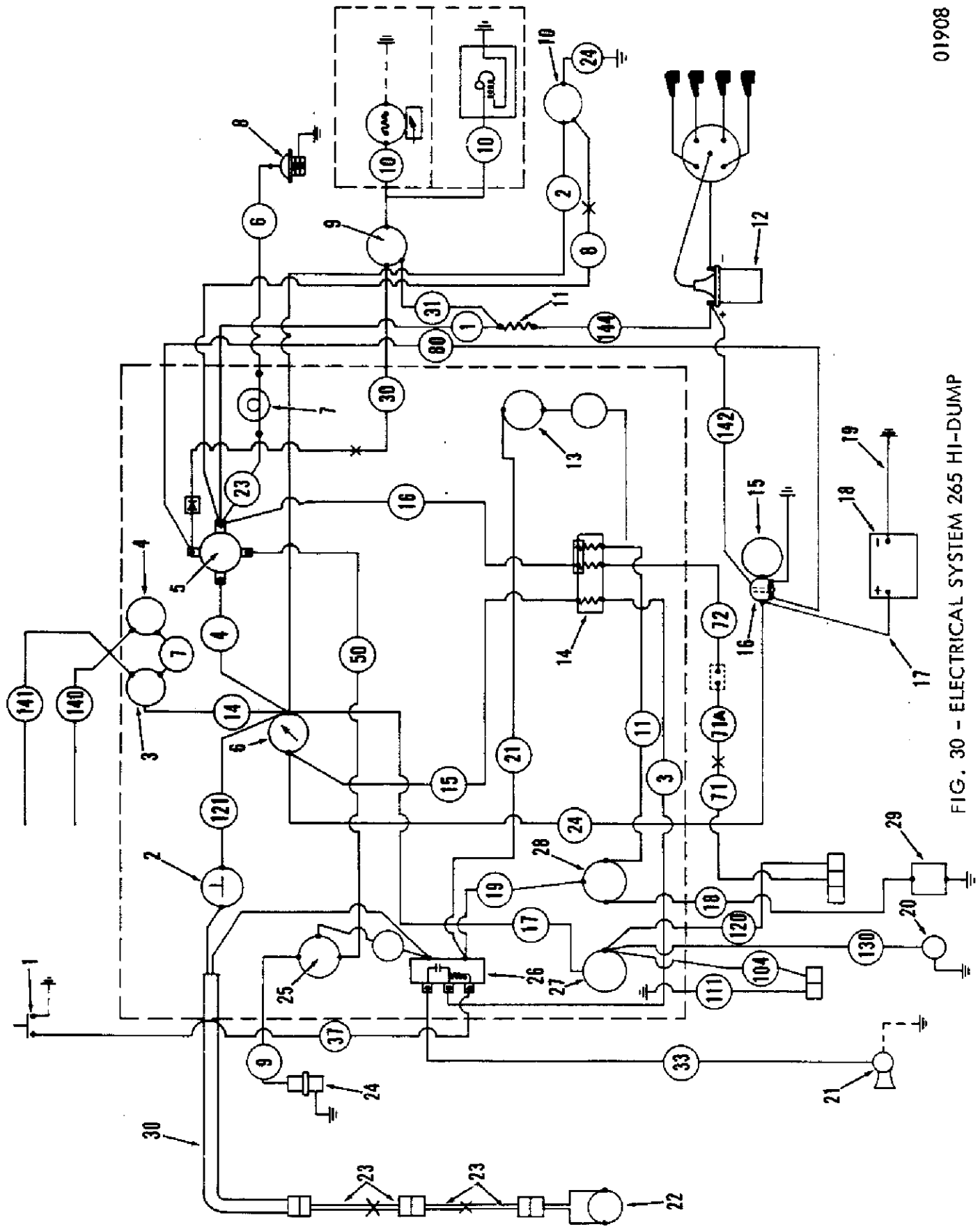


FIG. 30 - ELECTRICAL SYSTEM 265 HI-DUMP

FIG. 30 - ELECTRICAL SYSTEM 265 HI-DUMP

Ref. No.	TENNANT Part No.	Description	Qty.
1	47010	BUTTON, Horn	1
2	44078	SWITCH, Shaker	1
3	14137	SWITCH, Flashing-rotating light (accessory)	1
4	24576	FLASHER, Flashing light (accessory)	1
5	62530	SWITCH, Ignition	1
	62530-1	KEY, Ignition	1
6	54180	AMMETER	1
7	68222	LIGHT, Oil pressure indicating	1
8	*	SWITCH, Oil pressure sending	1
9	51805	SWITCH, Oil pressure (LP machines only)	1
10	58536	ALTERNATOR (does not include fan)	1
11	54911-15	RESISTOR, Bias	1
12	54911-11	COIL, Ignition	1
	50387	WIRE KIT, includes wire 23	1
13	24518	METER, Hour	1
	28838	DAMPER, Hour meter	1
14	44080	BLOCK, Fuse	1
	14215	FUSE, 20 AMP	5
15	54911-4	MOTOR, Starter	1
16	*	SOLENOID, Starter	1
17	29830-8	CABLE, Battery (positive)	1
18	37183	BATTERY	1
19	40681-1	CABLE, Battery (negative)	1
20	GE1141	BULB, Spotlight	1
21	14138A	HORN	1
22	54121	MOTOR, Filter, shaker	1
23	47882	LEAD, Shaker motor	2
24	*	SENDING UNIT, Temperature	1
25	50330	GAUGE, Temperature	1
26	32300	RELAY, Horn	1
27	14137	SWITCH, Light	1
28	47472	GAUGE, Fuel	1
29	47473	SENDING UNIT, Fuel gauge	1
	54875A	WIRE KIT LP	1
	54418 B	WIRE HARNESS	1
	50302	WIRE HARNESS	1
30	24108	LEAD, Shaker motor	1

\* See Ford parts section for Ford part numbers.

# 265

# POWER SWEEPER

Description	Page
Fig. 1 - Parts Required for Scrubbing . . . . .	1
Fig. 2 - Tank Holder Frame . . . . .	2 & 3
Fig. 3 - Pickup and Detergent Tanks . . . . .	4 & 5
Fig. 4 - Rear Squeegee . . . . .	6 & 7
Fig. 5 - Main Scrub Brush . . . . .	8 & 9
Fig. 6 - Detergent Solution Control . . . . .	10 & 11
Fig. 7 - Side Scrub Brush & Squeegee . . . . .	12 & 13
Fig. 8 - Headlights, Taillights & Spotlights Kits . . . . .	14 & 15
Fig. 9 - Revolving Light Kit . . . . .	16 & 17
Fig. 11 - Brake Light Kit . . . . .	18
Fig. 12 - Overhead Guard Kit . . . . .	19
Fig. 13 - Overhead Guard Kit (Hi-Dump) . . . . .	20
Fig. 14 - Sweeper Cab Kit . . . . .	21 & 22
Fig. 15 - Hi-Dump Cab Kit . . . . .	23 & 24
Fig. 16 - Scrubber Cab Kit . . . . .	25 & 26
Fig. 17 - Side Brush Dust Control . . . . .	27 & 28
Fig. 18 - Vacuum Wand Kit . . . . .	29 & 30
Miscellaneous Kits . . . . .	31 - 33
Accessories Not Illustrated . . . . .	34

**accessories**

9/79



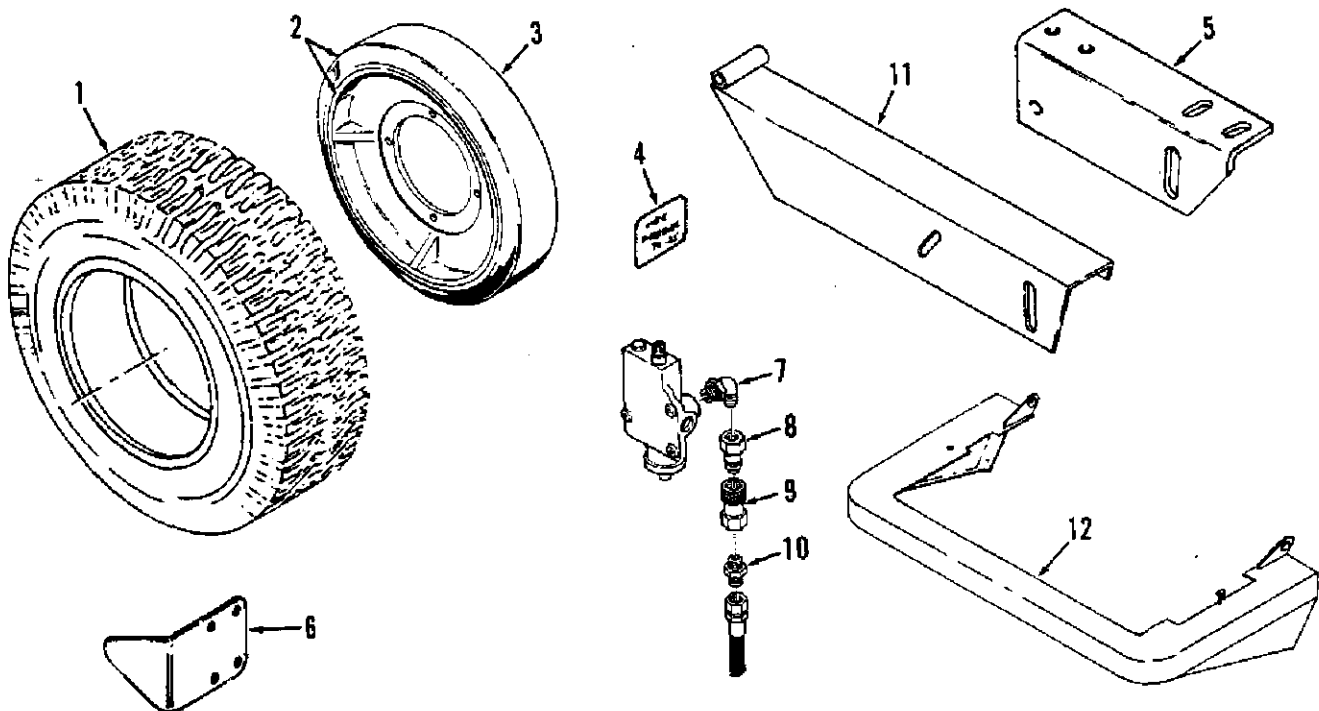


FIG. 1 - PREP FOR SCRUB KIT

02327

Ref. No.	TENNANT Part No.	Description	Qty.
	45740	PREP FOR SCRUB KIT	1
1	47525	TIRE	1
2	48076	TIRE AND WHEEL ASSEMBLY	2
3	25197A	TIRE, Solid	1
4	54299	DECAL, Tire pressure	1
5	46093	EXTENSION, Side brush arm	1
6	43346A	GUARD, Motor	1
7	32385	FITTING, Elbow	1
8	65084-1	COUPLING, Male	1
9	65084-2	COUPLING, Female	1
10	47518	FITTING, Straight	1
	*15687	FITTING, Straight	1
	*53445	FITTING, Elbow	1
	*77006	O-RING	1
11	**48062-1	ARM, Sidebrush	1
12	**53211	BUMPER	1

\* Used on machines with serial number up to and including 9002.  
 \*\* Used on factory installed scrubbers only.

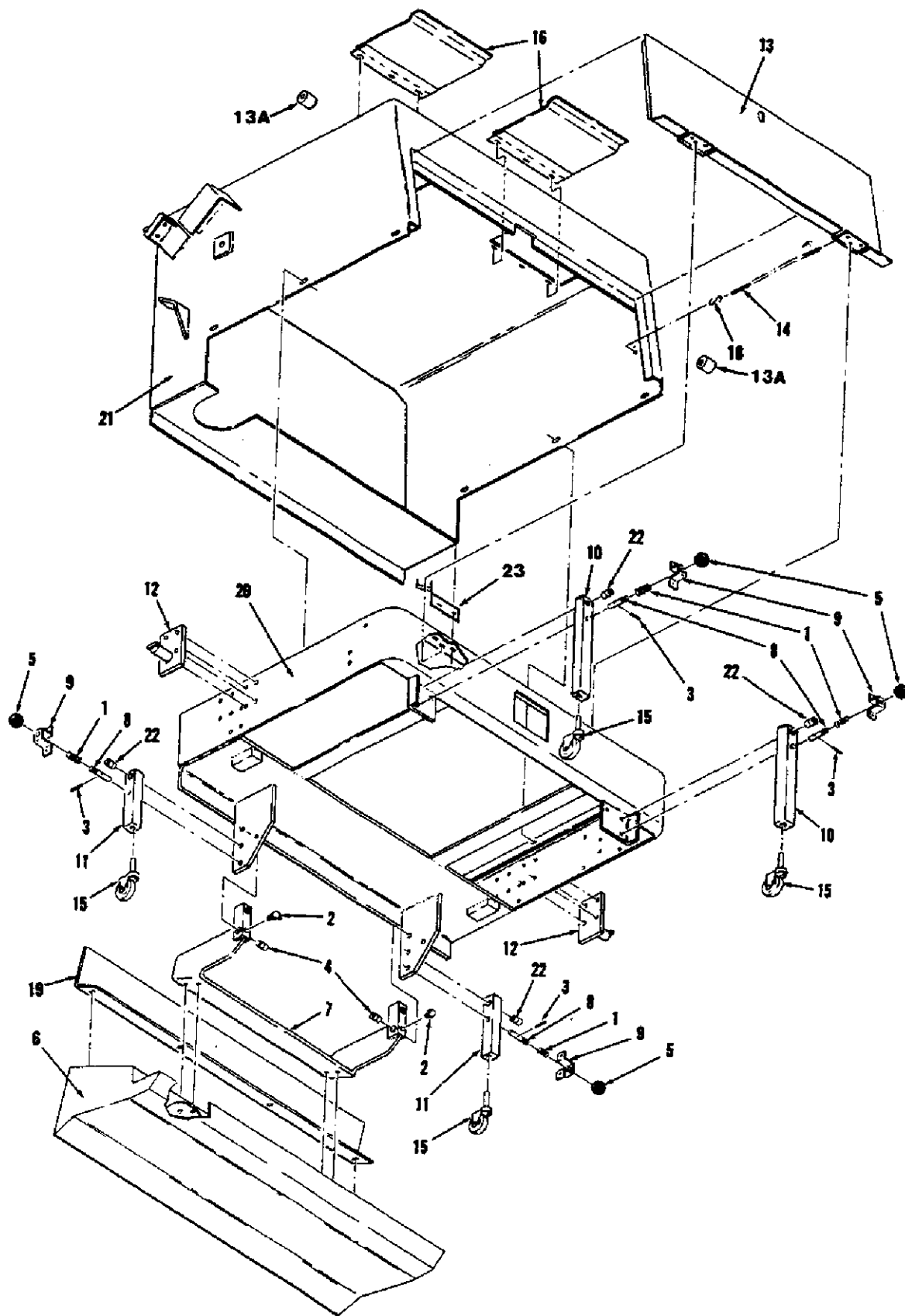


Fig. 2 - TANK HOLDER FRAME

7/83



Fig. 2 - TANK HOLDER FRAME

Ref. No.	TENNANT Part No.	Description	Qty.
1	04428A	SPRING	4
2	11048	FITTING, Grease	2
3	20160	PIN, Roll 0.13" x 0.63" (3.3 x 16 mm)	4
4	26065	BUSHING	2
5	26565	KNOB	4
6	43004	PICKUP TROUGH	1
7	43005	TROUGH SUPPORT	1
8	32449	PIN	4
9	43030	BRACKET, Pin	4
10	43614	FRONT LEG	2
11	43615	REAR LEG	2
12	43039	SUPPORT	2
13	43079	ACCESS PANEL	1
13A	43192	CAM, Pan adjusting	1
14	43203	CHAIN	1
15	43616	CASTER	4
16	43287	LID	2
18	43363	HOOK	1
19	53368	SHIELD, Spray	1
20	53371	BUMPER	1
21	43564	MAIN FRAME	1
22	43609	BUSHING	4
	54289	BAG ASSEMBLY, Wrench	1
23	43249	SUPPORT, L.H.	1

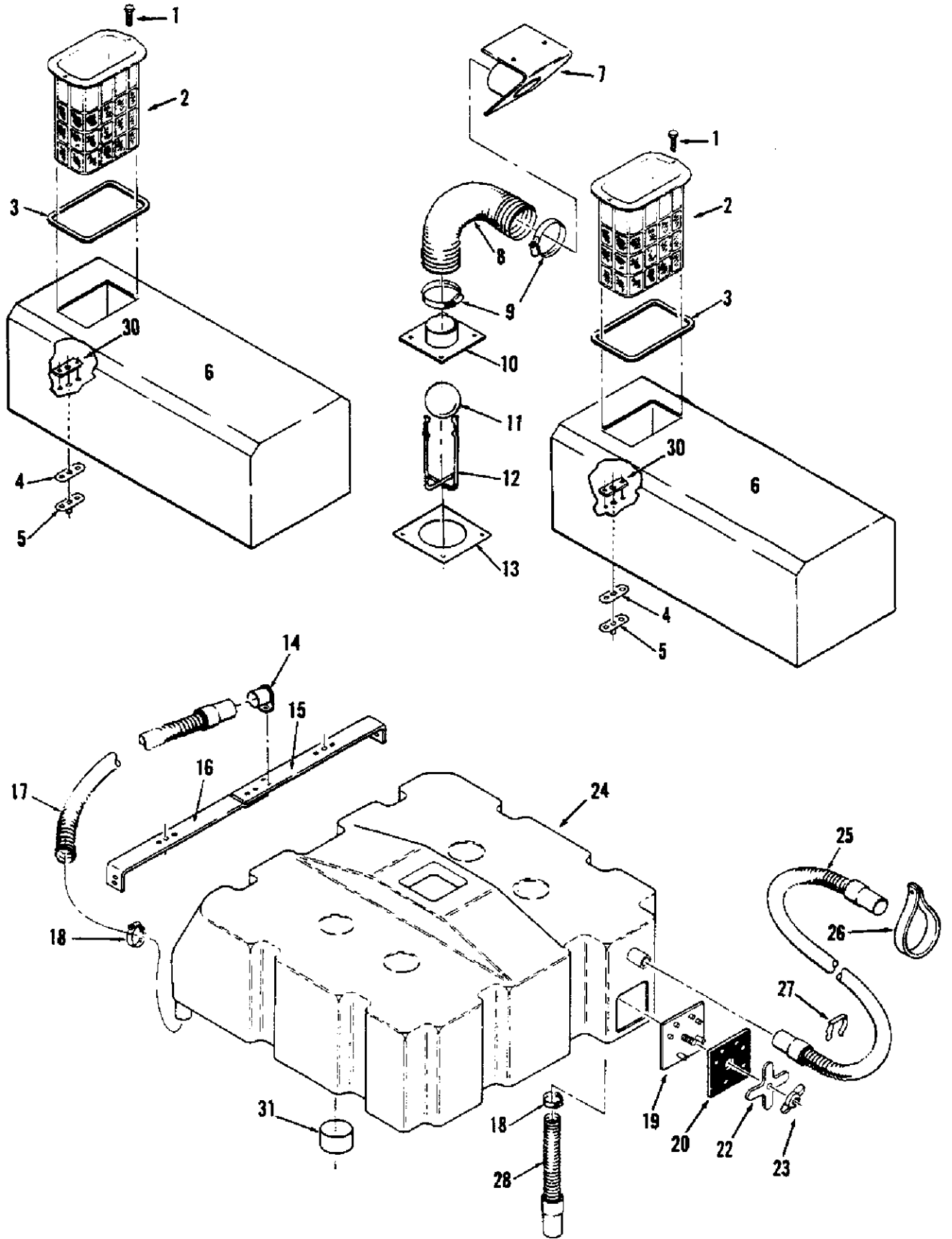


FIG. 3 - PICKUP AND DETERGENT TANKS PARTS GROUP

7/82

FIG. 3 - PICKUP & DETERGENT TANKS PARTS GROUP

Ref. No.	TENNANT PART No.	Description	Qty.
1	43678	SCREW	4
2	43516A	SCREEN	2
3	43382	SEAL, Lid	2
4	43016	GASKET, Hose Outlet	2
5	43057	CONNECTOR, Tank hose	2
6	43677	TANK, Detergent	2
7	43469-1	BRACKET, Flexible hose (incl. #43805 gasket)	1
8	43490	HOSE, Flexible	1
9	43555	CLAMP	2
10	47475	COLLAR, Float gauge	1
11	43170	BALL, Float	1
12	56489	GUIDE, Float ball	1
13	43552	GASKET	1
14	20215	PLUG	1
15	43344-1	BRACKET, Tank mounting, R.H.	1
16	43344-2	BRACKET, Tank mounting, L.H.	1
17	43208	DRAIN HOSE ASSEMBLY	1
	20236	CUFF, Hose	1
18	29696	CLAMP	2
	32690	*COVER ASSEMBLY, Pick-up tank	2
19	32684	PLATE, Sealing	1
20	32683	SEAL, Door cleanout	1
22	32680	LOCK, Cam	1
23	39274	NUT, Wing	1
24	32267	*TANK, Water pick-up	1
25	43209	VACUUM HOSE ASSEMBLY, Rear	1
	20236	CUFF, Hose	1
	43259	CUFF, Pickup	1
26	47795-1	STRAP, Hose retainer	1
27	43560	CLAMP, Hose	1
28	43207	VACUUM HOSE ASSEMBLY, Bottom	1
	43259	CUFF, Hose	1
	32685	BOLT, Pick-up tank	4
30	43056	FLANGE	2
31	32677	TUBE, Tank locating	2

\*Note: Machines with serial number up to and including 17901 used old-style metal recovery tank 43007B and cover assembly 43519.

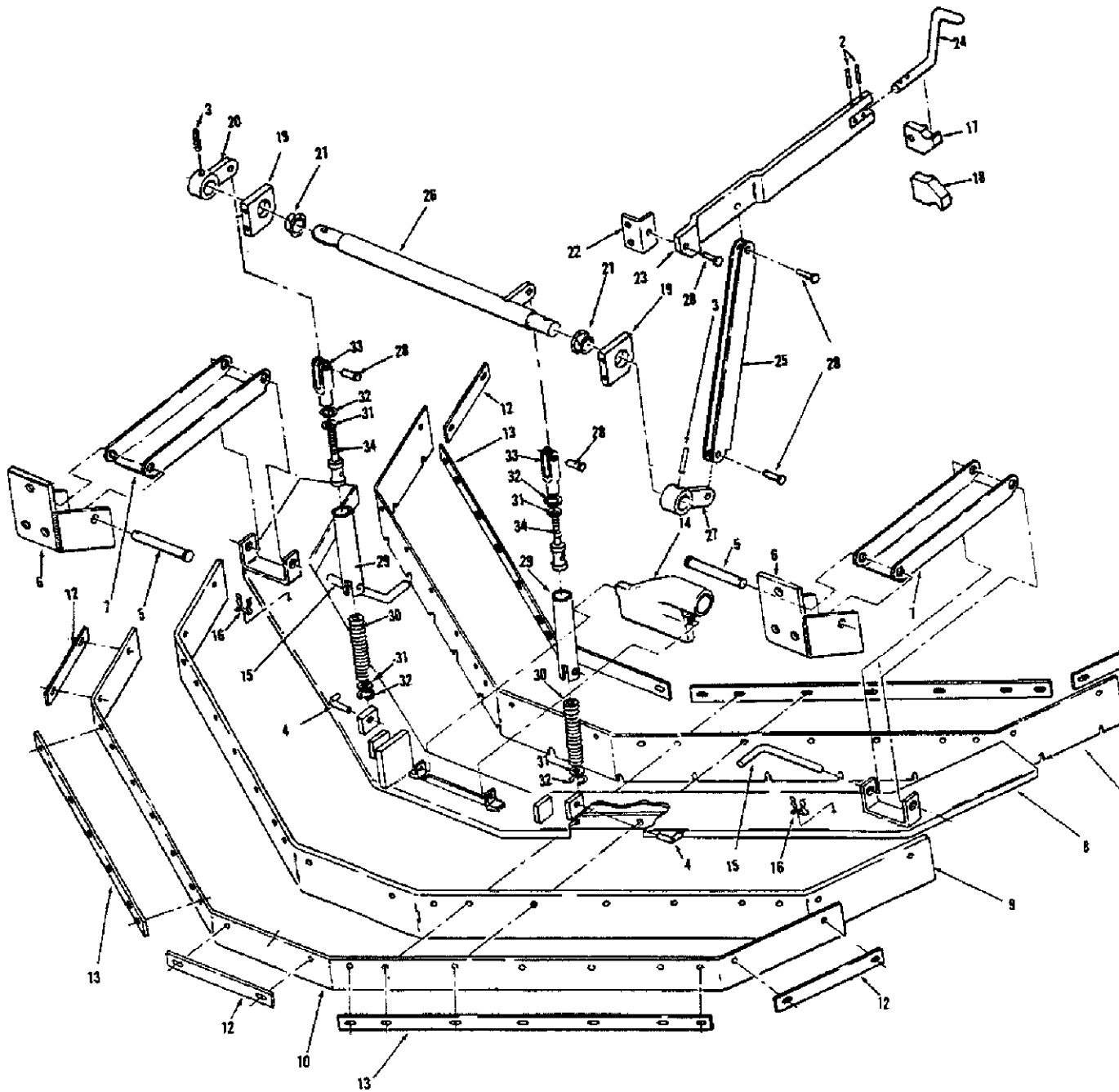


Fig. 4 - REAR SQUEEGEE

9/79

Fig. 4 - REAR SQUEEGEE

Ref. No.	TENNANT Part No.	Description	Qty.
	09088	PIN, Clevis. 0.37" x 1.00"	1
	G12122C	PIN, Cotter, 0.09" x 0.75" (2.3 x 19 mm)	2
2	11398	PIN, Roll, 0.25" x 1.50" (6.4 x 3.8 mm)	2
3	14854	PIN, Roll, 0.38" x 1.50" (9.7 x 38 mm)	2
4	43325	PIN	2
	43662	REAR SQUEEGEE SUPPORT ASSEMBLY	2
5	06474A	Clevis Pin	1
6	43472	Pivot Squeegee	1
7	46428	Link	1
	43666	SQUEEGEE LINK ASSEMBLY	1
	44485	REAR SQUEEGEE ASSEMBLY	1
8	46432	Squeegee frame	1
9	43323	Blade, squeegee	1
10	43324	Backing	1
11	43322	Strip	1
12	43316	Retainer	6
13	43314	Retainer	4
14	46453	Nozzle	1
15	43321	Pin	2
16	23446	Clamp	2
17	47965	STOP, Adjustable	1
19	46415	SUPPORT	2
20	46416	PIVOT, Squeegee lift	1
21	46417	BUSHING, Flange	2
22	53286	BRACKET, Arm pivot	1
23	53284	ARM, Squeegee lift	1
24	54249	HANDLE	1
25	46423	LINK	1
26	46424	CROSS SHAFT	1
27	46438	PIVOT, Cross shaft	1
28	46657	PIN, Clevis	4
	53297	REAR SQUEEGEE LIFT ROD ASSEMBLY	2
29	43543	TUBE	2
30	43164	SPRING, Compression	2
31	43611	WASHER, Nylon	4
32	46419	RING, Retaining	4
33	14330	CLEVIS, Adjusting	1
34	53283	Piston & Rod Assembly	1

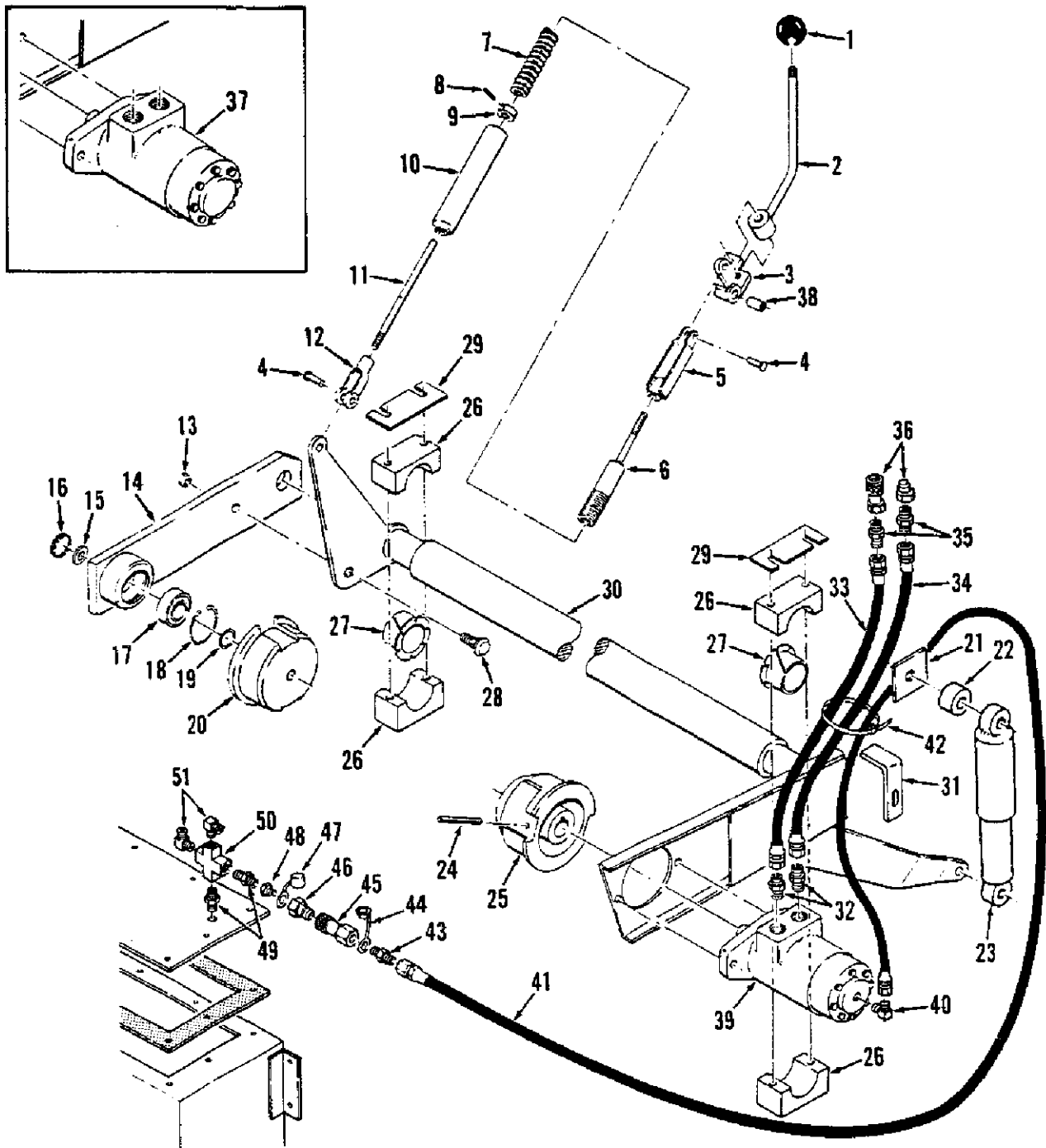


FIG. 5 - MAIN SCRUB BRUSH DRIVE GROUP

FIG. 5 - MAIN SCRUB BRUSH GROUP

Ref. No.	TENNANT Part No.	Description	Qty.
1	26156	KNOB	1
2	50457	HANDLE	1
3	43086	CRANK	1
4	14331	PIN, Clevis	2
5	43502	CLEVIS	1
6	43505	END, Cylinder	1
7	43164	SPRING, Compression	1
8	20021	PIN, Roll	1
9	43116	COLLAR	1
10	43096	CYLINDER, Spring	1
11	43503	ROD, Brush lift	1
12	14330	CLEVIS, Adjustable	1
13	46646	NUT, Wheel	1
14	46644	ARM AND PLUG ASSEMBLY, Brush	1
15	07026	SLEEVE	1
16	47178-13	PLUGBUTTON	1
17	46390	BEARING, Ball	1
18	10464	RING, Retaining, internal	1
19	10459	WASHER	1
20	07037	PLUG, Brush	1
21	43656	STRIP	1
22	43653	ABSORBER, Shock	1
23	43652	ABSORBER, Shock	1
24	11398	PIN, Roll	1
25	24743	PLUG, Brush drive	1
26	46605	BLOCK, Bearing	2
27	46443	BUSHING, Flange	2
28	24338	STUD, Wheel	1
29	46642-2	SHIM	2
30	43491	ARM AND SHAFT, Brush lift	1
31	43457	ANGLE	1
32	46480	FITTING, Straight	2
33	32377	HOSE	1
34	53083-8	HOSE	1
35	47518	FITTING, Straight	2
36	65084	COUPLING, Hydraulic	2
37	SK2811	**MOTOR, Drive (Seal Kit is SK1600)	1
38	26065	BUSHING	1
39	33795	*MOTOR, Drive (Seal Kit is SK1600)	1
40	77097	*ELBOW	1
41	33810	*HOSE	1
42	49263	*TIE, Cable	1
43	06678	*FITTING, Straight	1
44	33797	*CAP, Dust	1
45	34414	*COUPLING, Female	1
46	34413	*COUPLING, Male	1
47	33798	*CAP, Dust	1
48	47810	*FITTING, Reducer	1
49	47566	*FITTING, Straight	1
50	55622	*FITTING, Cross	1
51	55455	*FITTING, Elbow	2

\* Used on machines with S/N 9003 and above.

\*\* For machines up to S/N 9003.

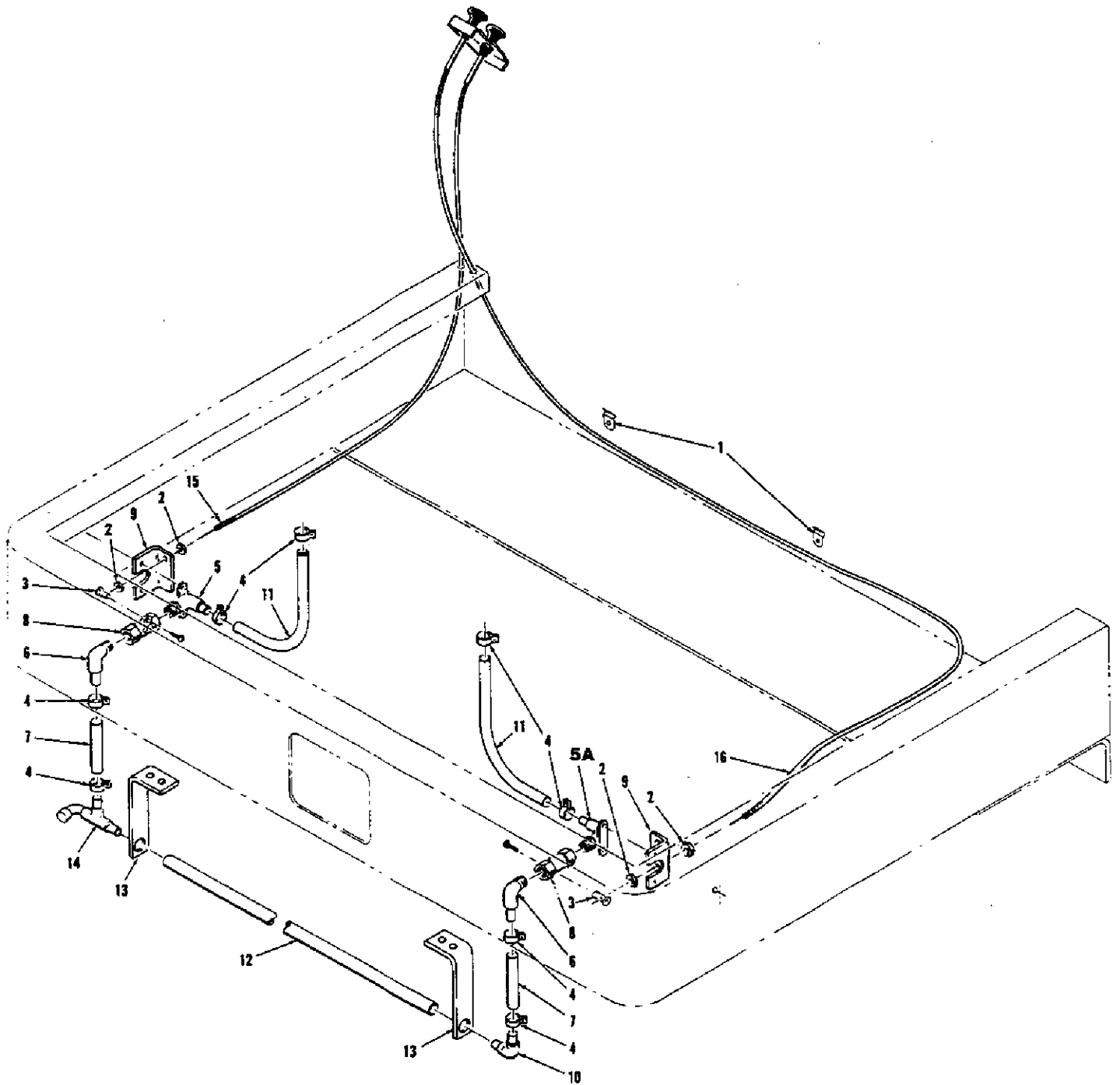


Fig. 6 - DETERGENT SOLUTION CONTROL



Fig. 6 - DETERGENT SOLUTION CONTROL

Ref. No.	TENNANT Part No.	Description	Qty.
1	9092-1	CLIP, Hold down	2
2	20346	NUT, Casing	4
3	43242	SWIVEL	2
4	54333	CLAMP, Hose	8
5	43372-1	ELBOW ASSEMBLY, R.H.	1
5A	19867	ELBOW ASSEMBLY, L.H.	1
6	43376	ELBOW ASSEMBLY	2
7	43377	HOSE, Side brush	2
8	43379	VALVE	2
9	43591	SUPPORT, Spacer, valve	2
10	43411	ELBOW ASSEMBLY	1
11	43413	HOSE, Tank outlet	2
12	43506	TUBE, Spreader	1
13	43507	HANGER, Spreader tube	2
14	43539	WATER DIVIDER	1
15	43557A	CONTROL CABLE	1
16	43558A	CONTROL CABLE	1
	43560	CLAMP, Cable	1
	26683	CLAMP, Cable	2

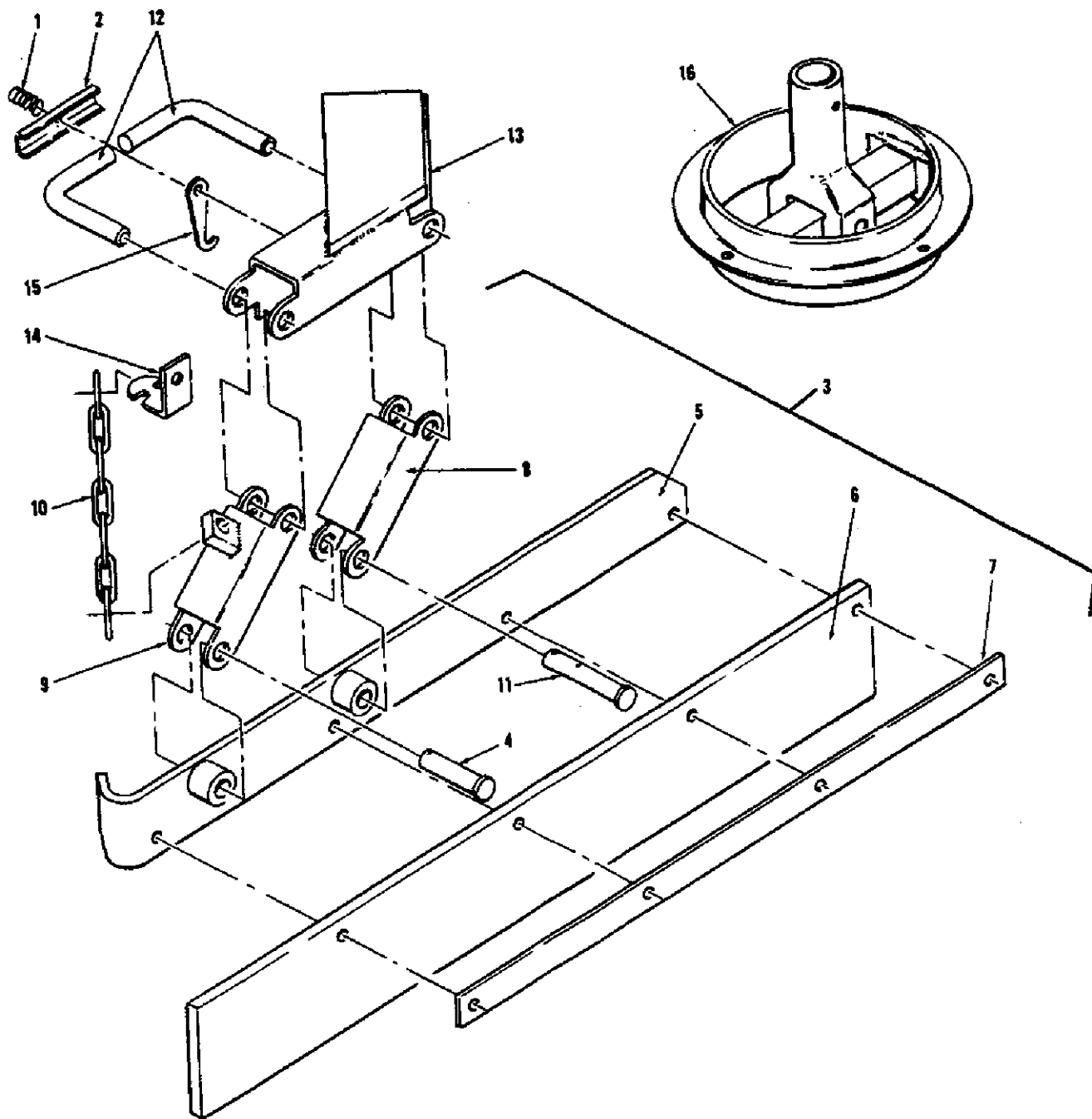
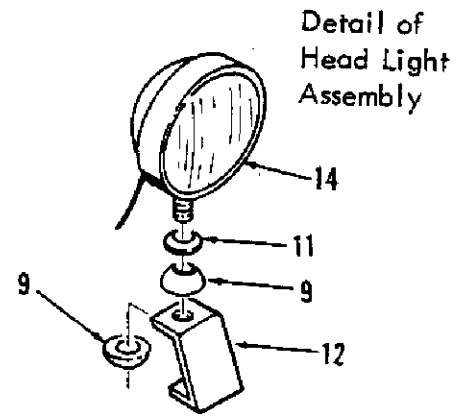
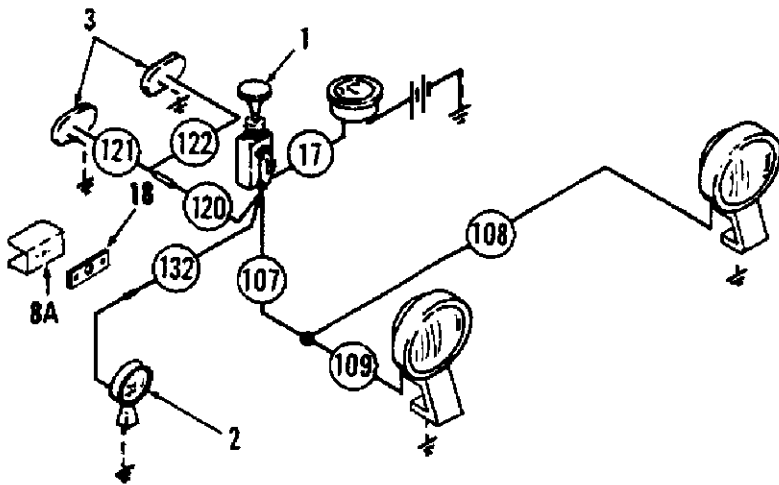


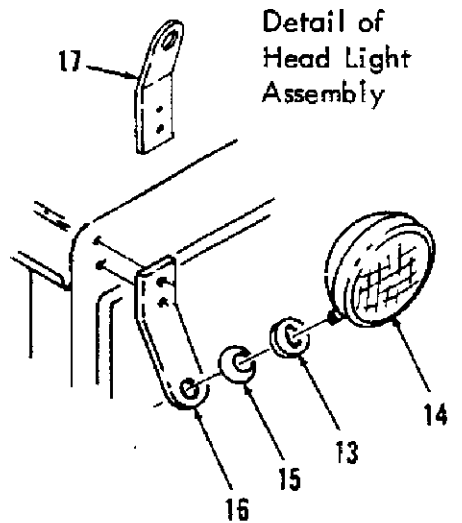
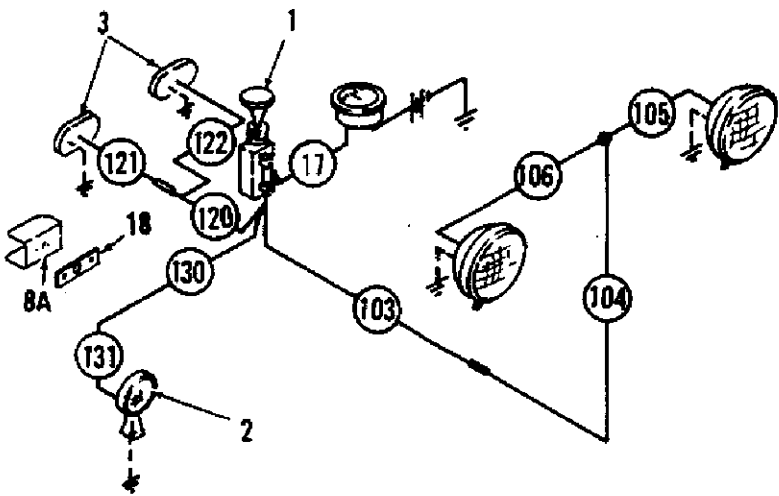
Fig. 7 - SIDE SCRUB BRUSH & SQUEEGEE

Fig. 7 - SIDE SCRUB BRUSH & SQUEEGEE

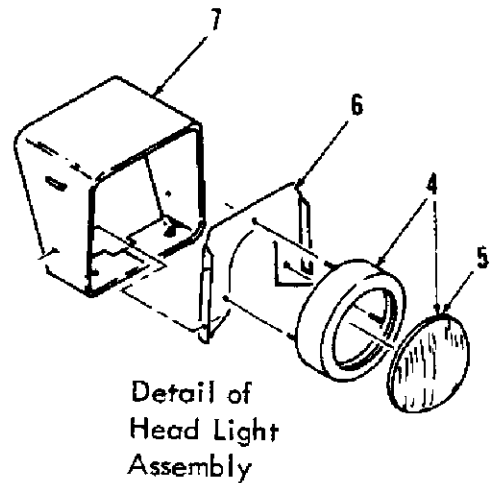
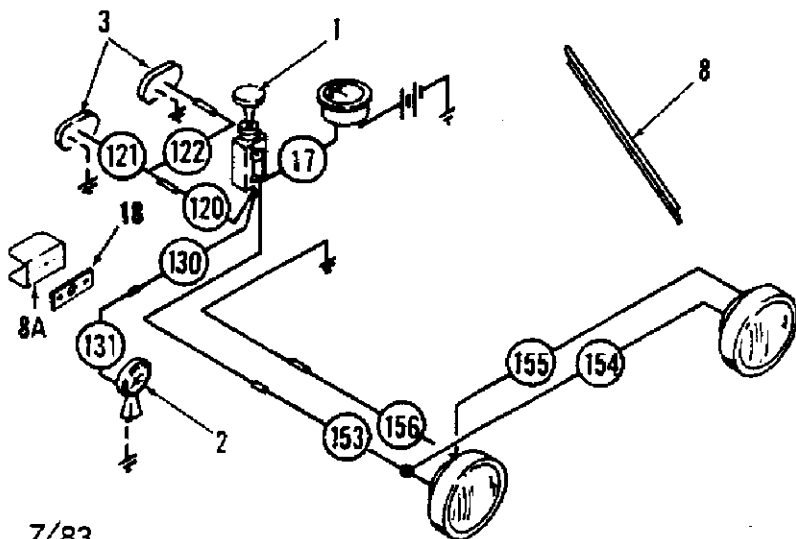
Ref. No	TENNANT Part No.	Description	Qty.
1	04428A	SPRING	1
2	43204	CHANNEL	1
3	43667	SIDE BRUSH SQUEEGEE ASSEMBLY	1
4	43290	Pin, clevis ,0.50" x 1.75" (12.7 x 44.5 mm)	1
5	43291	Squeegee back	1
6	43292	Blade, squeegee	1
7	43294	Retainer	1
8	43295	Link	1
9	43317	Link	1
10	43500	Chain, side brush squeegee lift	1
11	43553	Pin, clevis	1
12	43299	PIN	2
13	43497	SUPPORT, Squeegee	1
14	43499	CLIP	1
15	43549	CATCH, Squeegee	1
16	43554	SIDE BRUSH DRIVE ASSEMBLY	1



HEADLIGHT AND TAILLIGHT-LINTEL MOUNTED ASSEMBLY 54676



HEADLIGHT AND TAILLIGHT-CAB MOUNTED ASSEMBLY 54677



7/83

HEADLIGHT AND TAILLIGHT-HOPPER MOUNTED ASSEMBLY 54679

Fig. 8  
HEADLIGHTS, TAILLIGHTS & SPOTLIGHT KITS

#54679 on HOPPER (Low-dump)

#50473 on HOPPER (Hi-dump)

#54676 on LINTEL

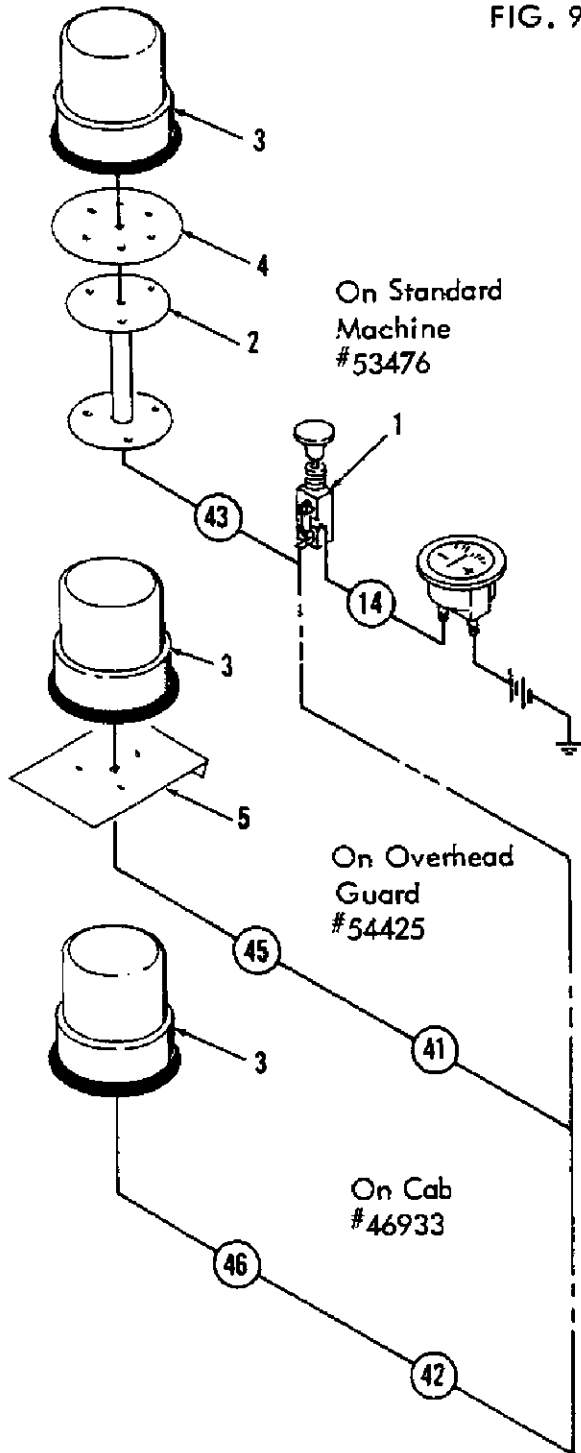
#54677 on CAB

HEADLIGHT AND TAILLIGHT KITS

Bumper Mounted: 54679 Lintel Mounted: #54676 Cab Mounted: 54677

Ref. No.	TENNANT Part No.	Description	Qty.	Qty.
	9384	CLIP, wire		6
1	14137	SWITCH		1
	15006	CONNECTOR, vinyl sleeve faston		3
2	22465	SPOTLIGHT		1
	32827	BULB		1
3	51572	TAILLIGHT		2
	1157-12v	BULB		2
		LENS (signal-stat #505)		2
	51798	GROMMET, Rubber		2
	53245	GUARD, Light		2
4	46108	HEADLIGHT ASSEMBLY		2
5	10801	HEADLIGHT		1
6	46110	HEADLIGHT PLATE		2
7	51665	WRAP, Headlight		2
8	46237	GUARD, Hopper wire		1
8A	53245	GUARD, Taillight		2
	54417	WIRING KIT (for hopper mounted)		1
9	24142	WASHER, Light, adjustable		4
11	24227	WASHER		2
12	33545	BRACKET, Headlight		2
	54415	WIRING KIT (for lintel mounted)		2
13	24142	WASHER, Light adjusting		4
14	24298	HEADLIGHT		2
	51570	BULB,		2
15	24227	WASHER		2
16	50448	BRACKET, Headlight (Standard machine only)		2
17	50448	BRACKET, Headlight (Hi-Dump only)		2
18	52403	PLATE, Taillight, LPG		2
	54420	WIRE HARNESS, Taillight		1
	50469	CORD ASSEMBLY		1
	46236	CLAMP, Cable, 0.25" dia		1
	49287	CLAMP, Cable, 0.75" dia		1
	49266	TIE, Cable		1
	01574	GROMMET, 0.22" ID		2
	44289	GROMMET, 0.38" ID		2

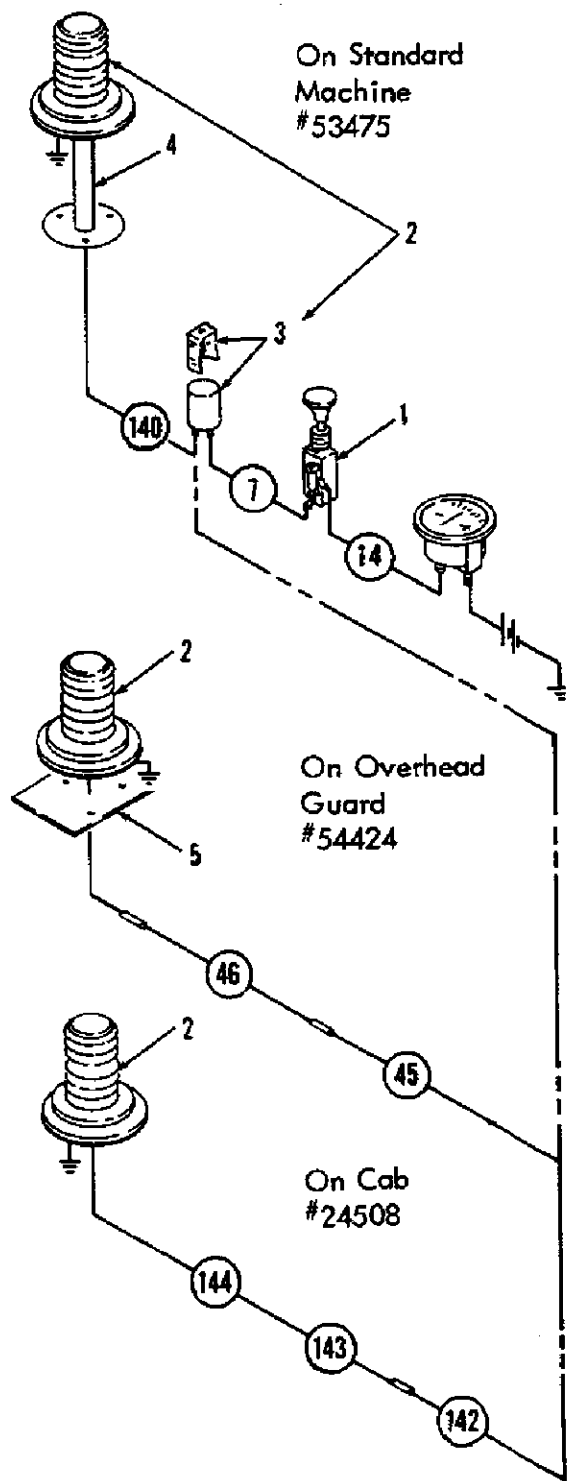
FIG. 9 - REVOLVING LIGHT KITS



Ref. No.	TENNANT Part No.	Description	Qty.
1	14137	SWITCH	1
	07423	FUSE	1
2	53174	SUPPORT, Flashing light	1
3	46928	* LIGHT, Revolving Red	1
	45670	BULB	1
	46928-1	* LENS, Red	1
	46928-2	* LENS, Blue	1
	46928-3	* LENS, Amber	1
	01574	RUBBER GROMMET	2
4	46930	PLATE, Adapter	1
	47750	WIRING KIT (Universal kit for all machines)	1
5	62044	PLATE, Top	1
	47242	WIRING KIT, Cab Includes: wires 14, 42, & 46	1
	46314	GROMMET	1
	62149	BRACKET	2
	62045	CLIP	2
	09384	CLAMP, Cable	4
	47778	SLEEVE	1

\*Select color of light desired.

FIG. 10 - FLASHING LIGHT KITS



Ref. No.	TENNANT Part No.	Description	Qty.
	1574	GROMMET (For LPG Machines)	1
1	14137	SWITCH, Light	1
	7423	FUSE	1
2	47535	*LIGHT, Flashing red	1
	47536	*LIGHT, Flashing amber	1
	47537	*LIGHT, Flashing blue	1
3	24576	FLASHER	1
	24576-1	FLASHER BRACKET	1
	22640	BULB	1
	47535-1	*DOME LENS, Red	1
	47536-1	*DOME LENS, Amber	1
	47537-1	*DOME LENS, Blue	1
	47750	WIRING KIT (Universal)	1
	53174	SUPPORT, Flashing light	1
	62044	PLATE, Top	1
	62149	BRACKET, L	2
	62045	CLIP	2
	09384	CLAMP, Cable	4
	47778	SLEEVE	1
	46314	GROMMET	1
	24511	WIRING KIT, Cab Includes: wires 7, 14, 42, & 43	1

\*Select color of light desired

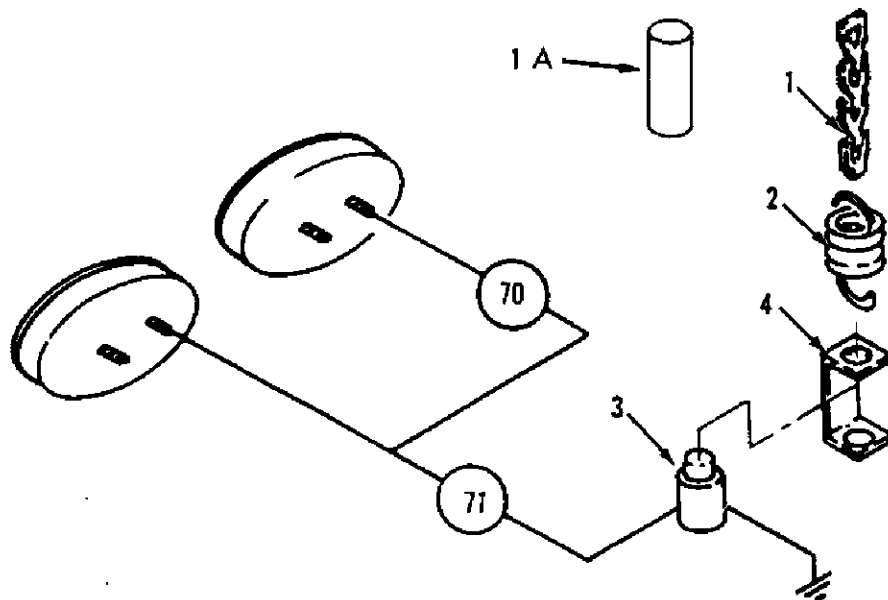


FIG. 11 - BRAKE LIGHT KIT 54112

Ref. No.	TENNANT Part No.	Description	Qty.
1A	47954	SLEEVE	1
1	28499	CHAIN	1
2	43672	SPRING, Tension	1
3	43673	SWITCH	1
4	44539	BRACKET, Switch	1
	51798	GROMMET, Rubber	2
	19824	WIRE KIT	1

Note: This kit adapts operating light kit to provide brake light feature.



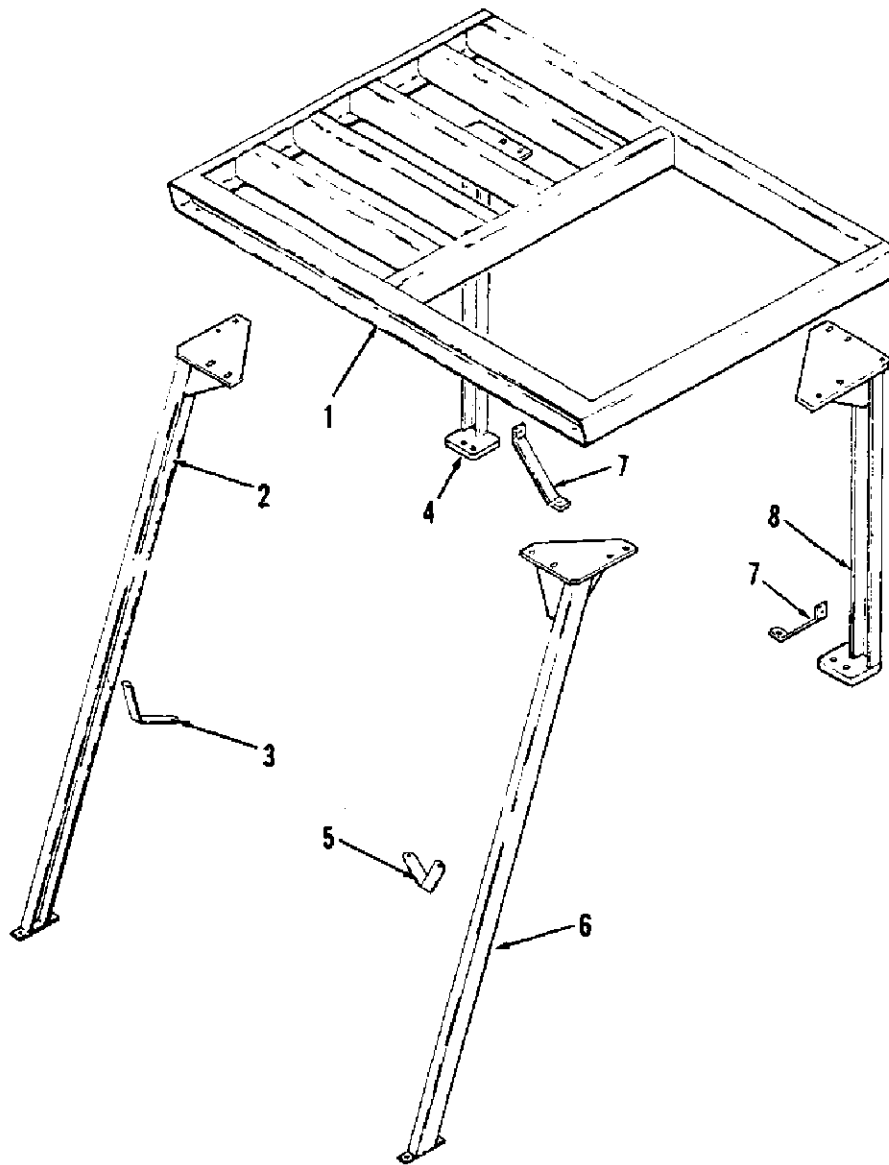


FIG. 12 - OVERHEAD GUARD - STANDARD MACHINE

Ref. No.	TENNANT Part No.	Description	Qty.
	50400	OVERHEAD GUARD, Standard machine	1
1	50401	GUARD, Top	1
2	50404	LEG, Front, R.H.	1
3	47644	BRACE, Front, R.H.	1
4	50403A	LEG, Rear, R.H.	1
5	47645	BRACE, Front, L.H.	1
6	50405	LEG, Front, L.H.	1
7	54522	BRACE, Rear	2
8	50402A	LEG, Rear, L.H.	1

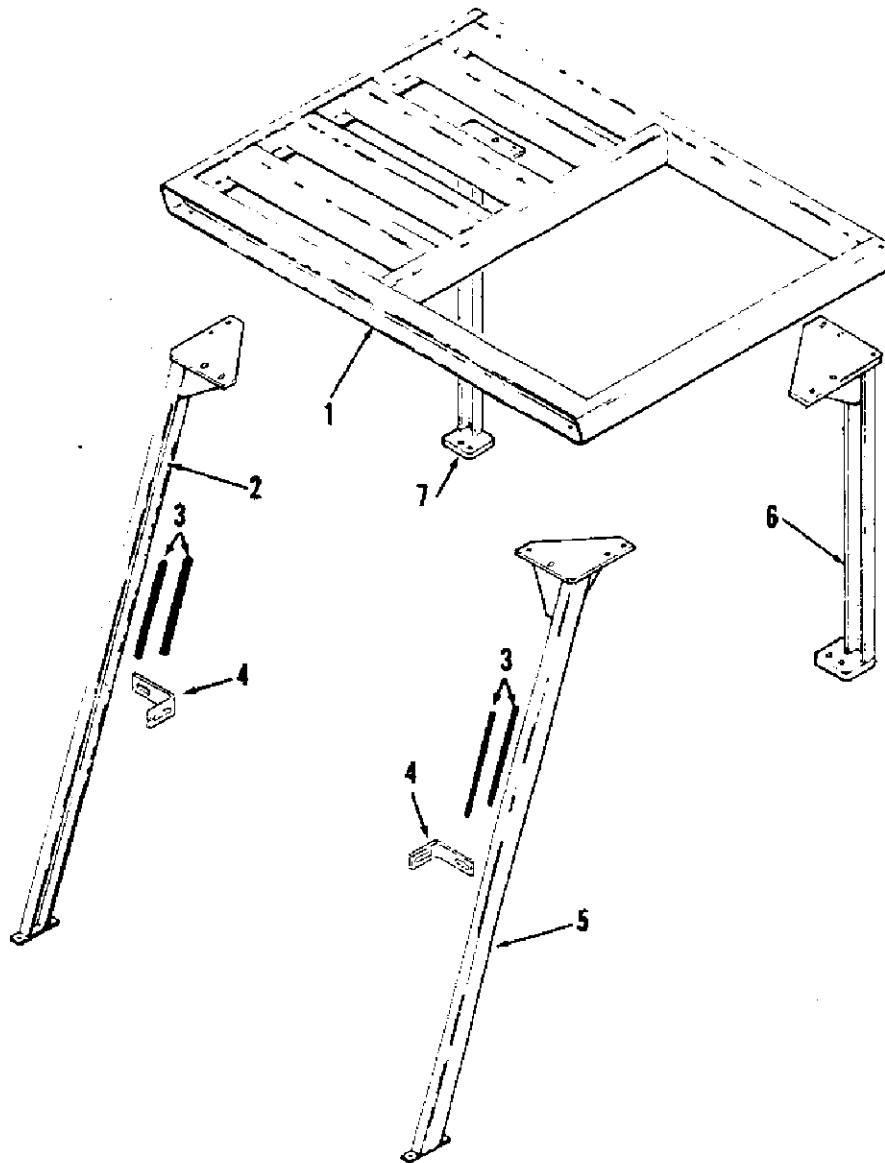
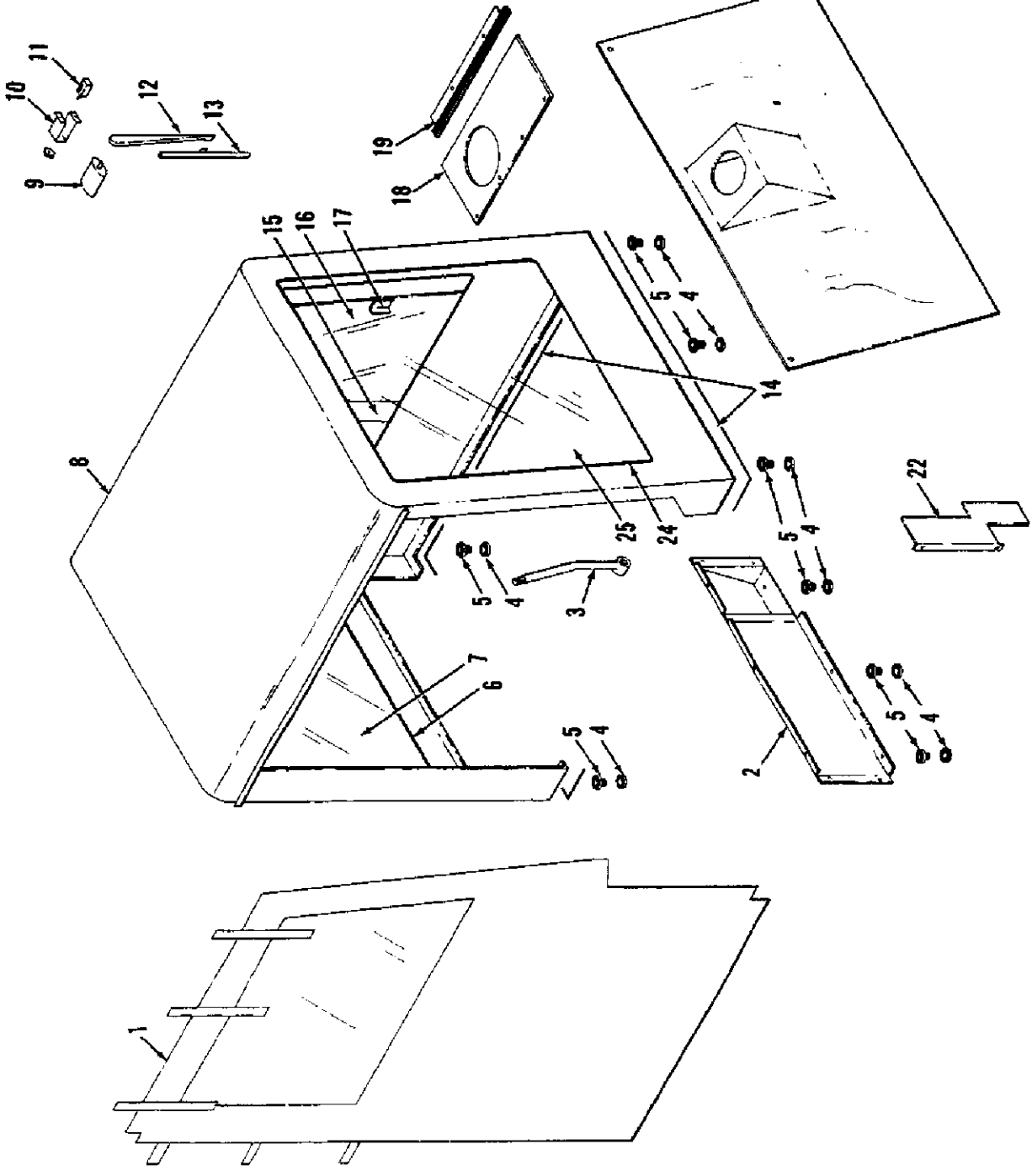
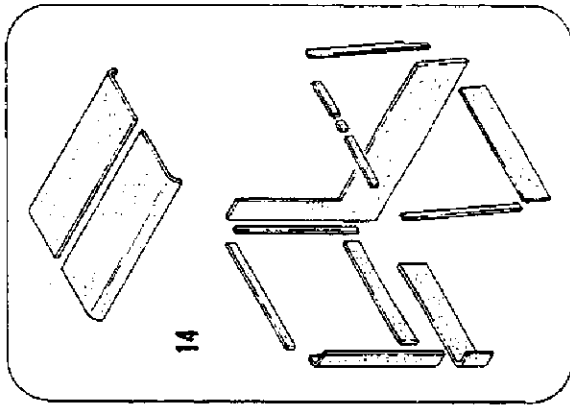


FIG. 13- OVERHEAD GUARD for HI-DUMP MACHINE

Ref. No.	TENNANT Part No.	Description	Qty.
	50410	OVERHEAD GUARD, Hi-Dump machine	1
1	50401	GUARD, Overhead	1
2	50404	LEG, Front, R.H.	1
3	62170-4	MOLDING, Channel hose guard	4
4	33576	BRACE, Front	2
5	50405	LEG, Front, L.H.	1
6	50402A	LEG, Rear, L.H.	1
7	50403A	LEG, Rear, R.H.	1



12/80

21

01903

Fig. 14 - SWEEPER CAB KIT #50345

FIG 14  
SWEEPER CAB KIT - #50345

Ref. No.	TENNANT Part No.	Description	Qty.
1	24106	DOOR, Cab	1
2	50737	SUPPORT, Rear cab	1
3	24464	HANDLE, Control	2
4	54528	RING, Rubber insulating	8
5	54527	BUSHING, Rubber insulating	8
6	23934	EXTRUSION, Weatherstripping	1
7	23869	GLASS, Rear	1
8	53986	CAB	1
	23940-2	WIPER ASSEMBLY, Windshield	1
9	23945	MOTOR, Windshield wiper	1
10	23948-1	BRACKET, Switch	1
11	14137	SWITCH, Wiper motor	1
12	15121	ARM, Wiper blade	1
13	23947	BLADE, Wiper	1
	09384	CLAMP, Cable	3
	47999	WIRE KIT, Includes wires 45, 46, 47, 48	1
14	54712	INSULATION & SEAL KIT, Cab	1
15	23870	GLASS, Stationary	1
16	23871	GLASS, Sliding	1
17	15066	HANDLE ASSEMBLY, Pull & lockset	1
18	50826	PANEL, Engine cover	1
19	48542 -1	BRACKET, Support panel	1
21	23942	SHIELD, Operator	1
22	54436	SHIELD, Operator, corner	1
	23866	WEATHERSTRIP, Rubber	1
24	23867	EXTRUSION, Weatherstripping	1
25	23868	GLASS, Windshield	1
	23864	CHANNEL, Rigid	1
	23865	CHANNEL, Glassrun, flexible	1
	23863	STRIP, Rubber	1
	14741	STUD, Snap-on	12
	59118-6	CHANNEL, Rigid, 2.25" (57 mm)	1
	59118-7	CHANNEL, Rigid, 1.06" (27 mm)	1
	01574	GROMMET, 0.25" dia	1
	44289	GROMMET, 0.38" dia	1

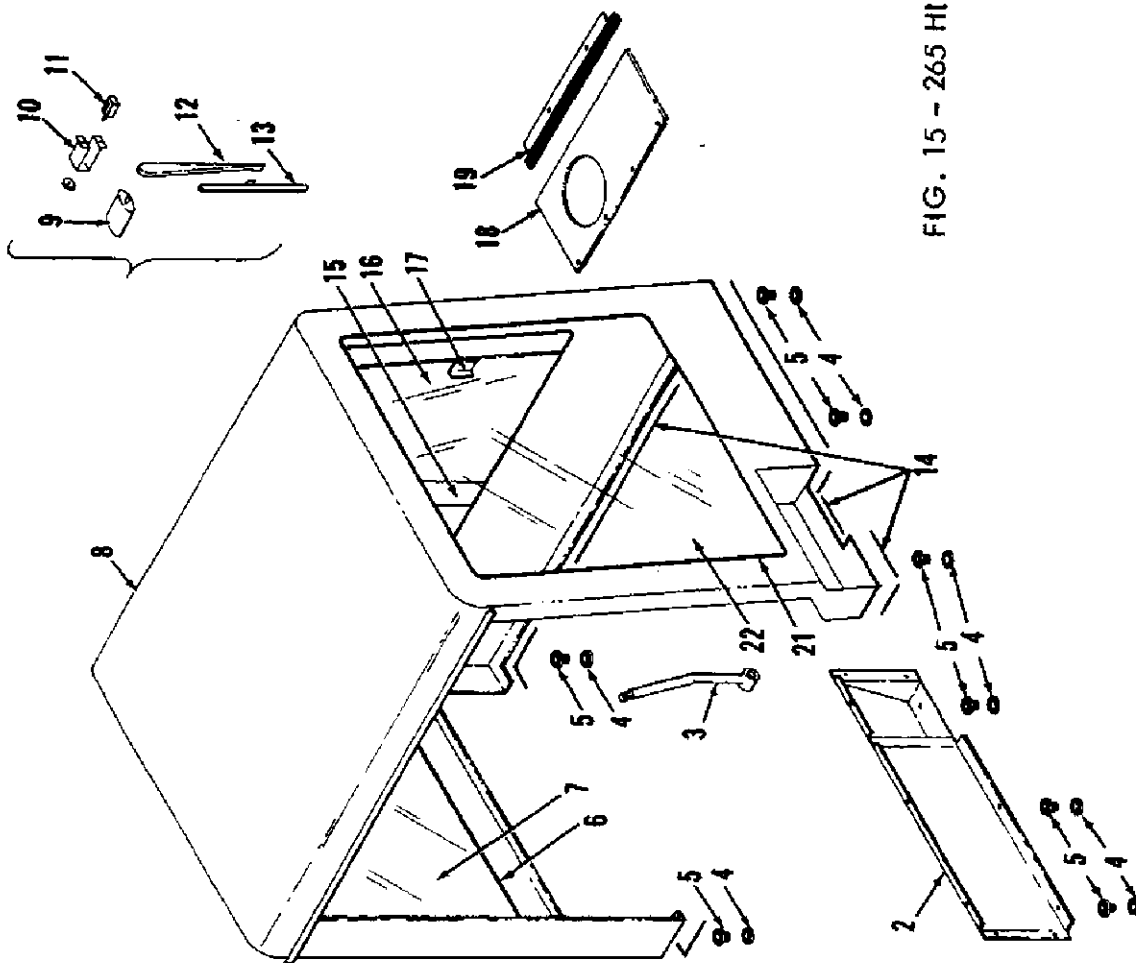
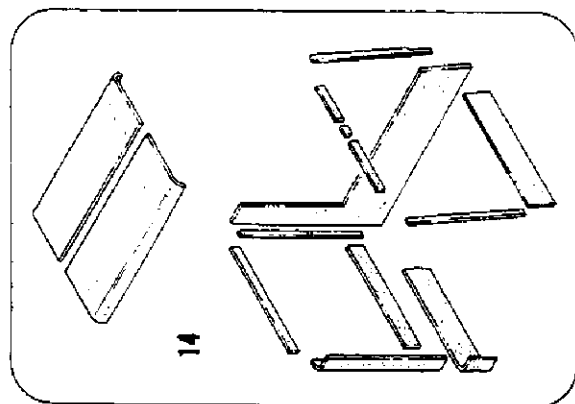
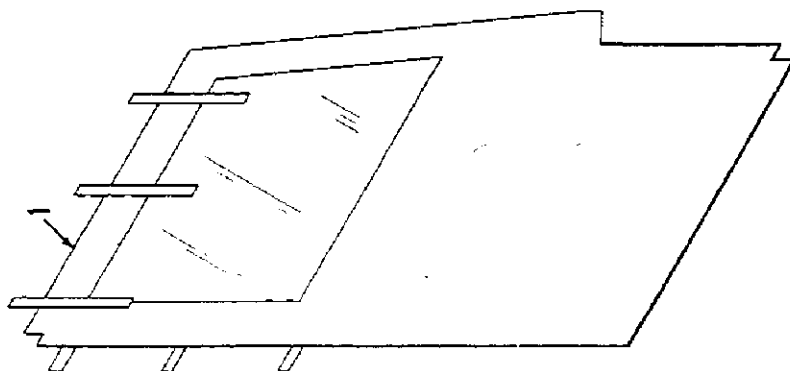


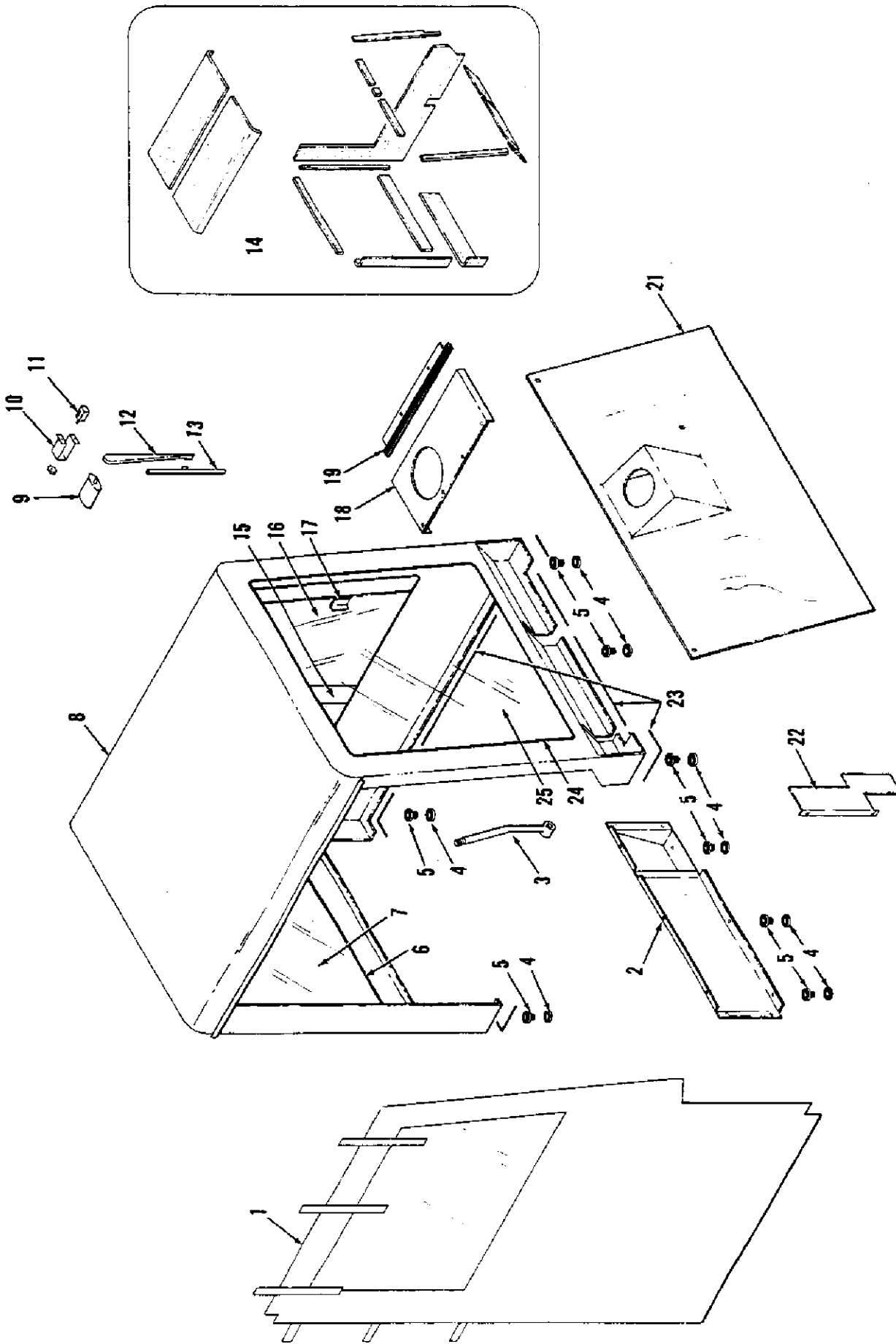
FIG. 15 - 265 HI-DUMP CAB KIT



12/80

FIG. 15 - HI-DUMP MODEL CAB KIT #35504

Ref. No.	TENNANT Part No.	Description	Qty.
	35504	CAB KIT, Hi-Dump	1
1	24106	DOOR, Cab	1
2	50737	SUPPORT, Rear cab	1
3	24464	HANDLE, Control	2
4	54528	RING, Rubber	8
5	54527	BUSHING, Rubber	8
6	23934	EXTRUSION, Weatherstripping	1
7	23869	GLASS, Rear	1
8	48975	CAB ASSEMBLY, Hi-Dump	1
	23940-2	WIPER ASSEMBLY, Windshield	1
9	23945	MOTOR, Windshield wiper	1
10	23948-1	BRACKET, Switch	1
11	14137	SWITCH, Wiper motor	1
12	15121	ARM, Wiper blade	1
13	23947	BLADE, Wiper	1
	09384	CLAMP, Cable	3
	47999	WIRE KIT, Includes wires: 45, 46, 47, 48	
14	SK2045	INSULATION & SEAL KIT, Cab noise	1
15	23870	GLASS, Stationary	1
16	23871	GLASS, Sliding	1
17	15066	HANDLE ASSEMBLY, Pull & lock set	1
	23866	WEATHER STRIP, Rubber	1
	23864	CHANNEL, Rigid	1
	23865	CHANNEL, Glassrun	1
	23863	STRIP, Rubber, 0.25" x 0.50" x 55" (6.4 x 12.7 x 139 mm)	1
18	50826	PANEL, Engine cover	1
19	48542-1	BRACKET, Support panel	1
	14741	STUD, Snap on	12
	01574	GROMMET, 0.25" hole	1
	44289	GROMMET, 0.38" hole	1
21	23867	EXTRUSION, Weatherstripping	1
22	23868	GLASS, Windshield	1
	59118-6	CHANNEL, Rigid, 2.25" (57 mm)	1
	59118-7	CHANNEL, Rigid, 1.06" (27 mm)	1



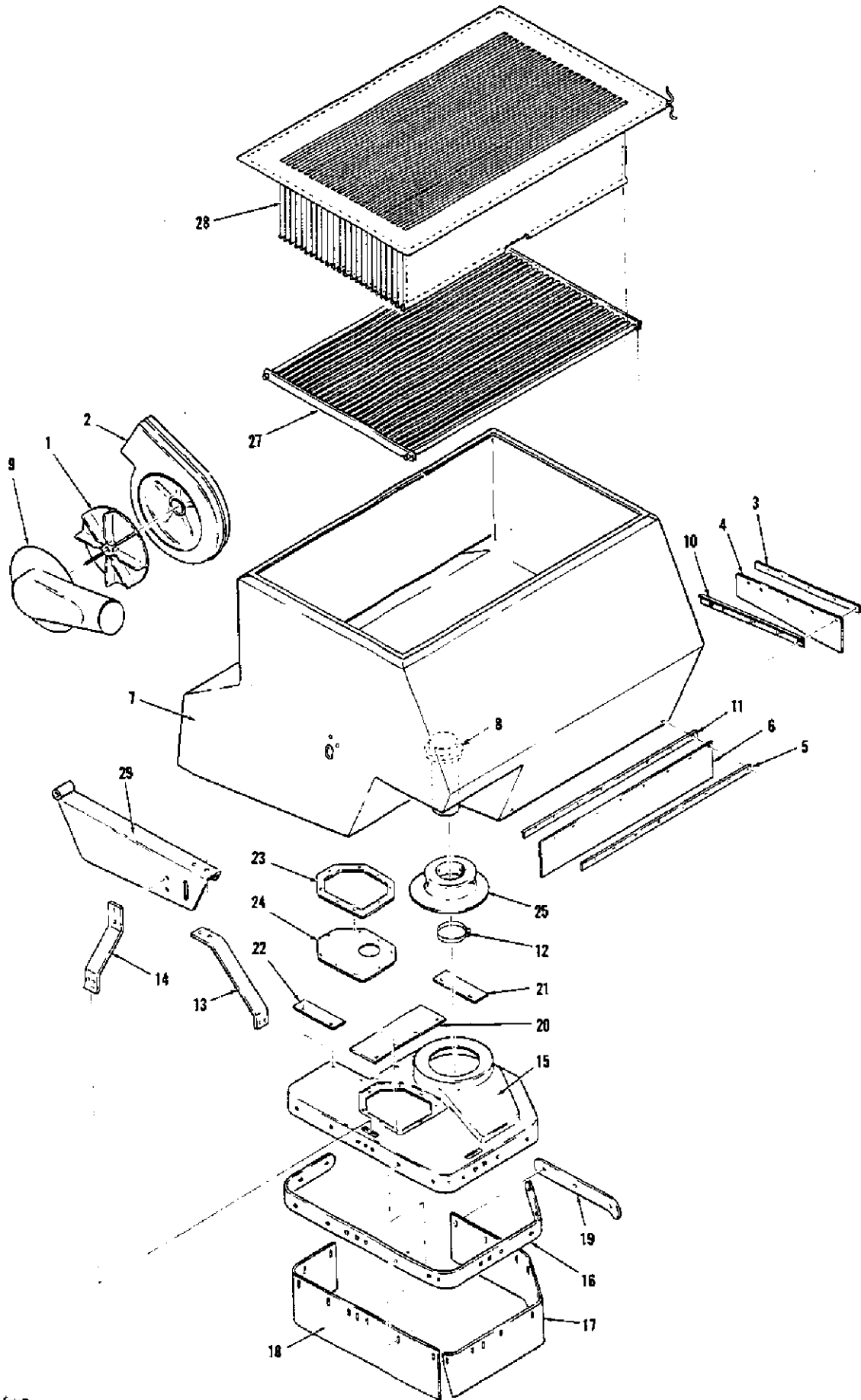
01903

FIG. 16- SCRUBBER CAB KIT - #50347

FIG. 16  
SCRUBBER CAB KIT #50347

Ref. No.	TENNANT Part no.	Description	Qty.
1	24106	DOOR, Cab	1
2	50737	SUPPORT, Rear cab	1
3	24464	HANDLE, Control	2
4	54528	RING, Rubber insulating	8
5	54527	BUSHING, Rubber insulating	8
6	23934	EXTRUSION, Weatherstripping	1
7	23869	GLASS, Rear	1
8	53855	CAB	1
	23940-2	WIPER ASSEMBLY, Windshield	1
9	23945	MOTOR, Windshield wiper	1
10	23948-1	BRACKET, Switch	1
11	14137	SWITCH, Windshield wiper motor	1
12	15121	ARM, Wiper blade	1
13	23947	BLADE, Wiper	1
	09384	CLAMP, Cable	3
	47999	WIRE KIT, Includes wires: 45, 46, 47, 48	1
14	54710	INSULATION KIT, Cab noise	1
15	23870	GLASS, Stationary	1
16	23871	GLASS, Sliding	1
17	15066	HANDLE ASSEMBLY, Pull & lock set	1
18	50826	PANEL, Engine cover	1
19	48542-1	BRACKET, Support panel	1
	14741	STUD, Snap-on	12
21	23942	SHIELD, Operator	1
22	54436	SHIELD, Operator corner	1
23	54711	SEAL KIT, Cab	1
24	23867	EXTRUSION, Weatherstripping	1
25	23868	GLASS, Windshield	1
	23864	CHANNEL, Rigid	1
	23865	CHANNEL, Glassrun, flexible	1
	23863	STRIP, Rubber	1
	01574	GROMMET, 0.25" dia	1
	44289	GROMMET, 0.38" dia	1
	59118-6	CHANNEL, Rigid, 2.25" (57 mm)	1
	59118-7	CHANNEL, Rigid, 1.06" (27 mm)	1





9/79

Fig. 17 - SIDE BRUSH DUST CONTROL KIT #54920-1

FIG. 17 SIDE BRUSH DUST CONTROL KIT

Ref. No.	TENNANT Part No.	Description	Qty.
1	53034-1	IMPELLER	1
2	54303	HOUSING, Fan	1
3	53102	RETAINER, Hopper, side skirt	1
4	53103	SKIRT, Side hopper	1
5	53104	RETAINER, Hopper, front skirt	1
6	53105	SKIRT, Front hopper	1
7	53262	FILTER BOX	1
8	53120	SEAL, Fire baffle	1
9	53148	HOUSING, Vacuum intake	1
10	53149	BAR, Mounting, side	1
11	53151	BAR, Mounting, front	1
12	23498	CLAMP, Hose	1
	53509	SIDE BRUSH SHROUD ASSEMBLY	1
13	53038	SUPPORT, Bumper front	1
14	53039	SUPPORT, Bumper side	1
15	53098-1	SHROUD ASSEMBLY, Side brush	1
16	53099	BUMPER, Shroud	1
17	53101	SKIRT, Front	1
18	53106	SKIRT, Side	1
19	53107	RETAINER, Skirt	1
20	53108	SEAL, Hopper	1
21	53109	SEAL, Hopper	1
22	53110	SEAL, Hopper	1
23	53212	RETAINER, Seal shroud	1
24	53407	SEAL, Shroud	1
25	53501	SEAL	1
	54106	MOTOR ASSEMBLY, Shaker	2
27	46096	RACK, Bag	1
28	53387	BAG, Filter	1
29	48062	ARM, Side brush	1
	47635	BRACKET, Dust shield support	1
	26249	BOLT, Carriage (.50 - 13 x 0.56)	1
	26201	NUT, Acorn (.50 - 13)	1
	07059	WASHER	1

NOTE: All filter and fan assembly numbers not listed, are standard parts and can be found in parts lists pages.

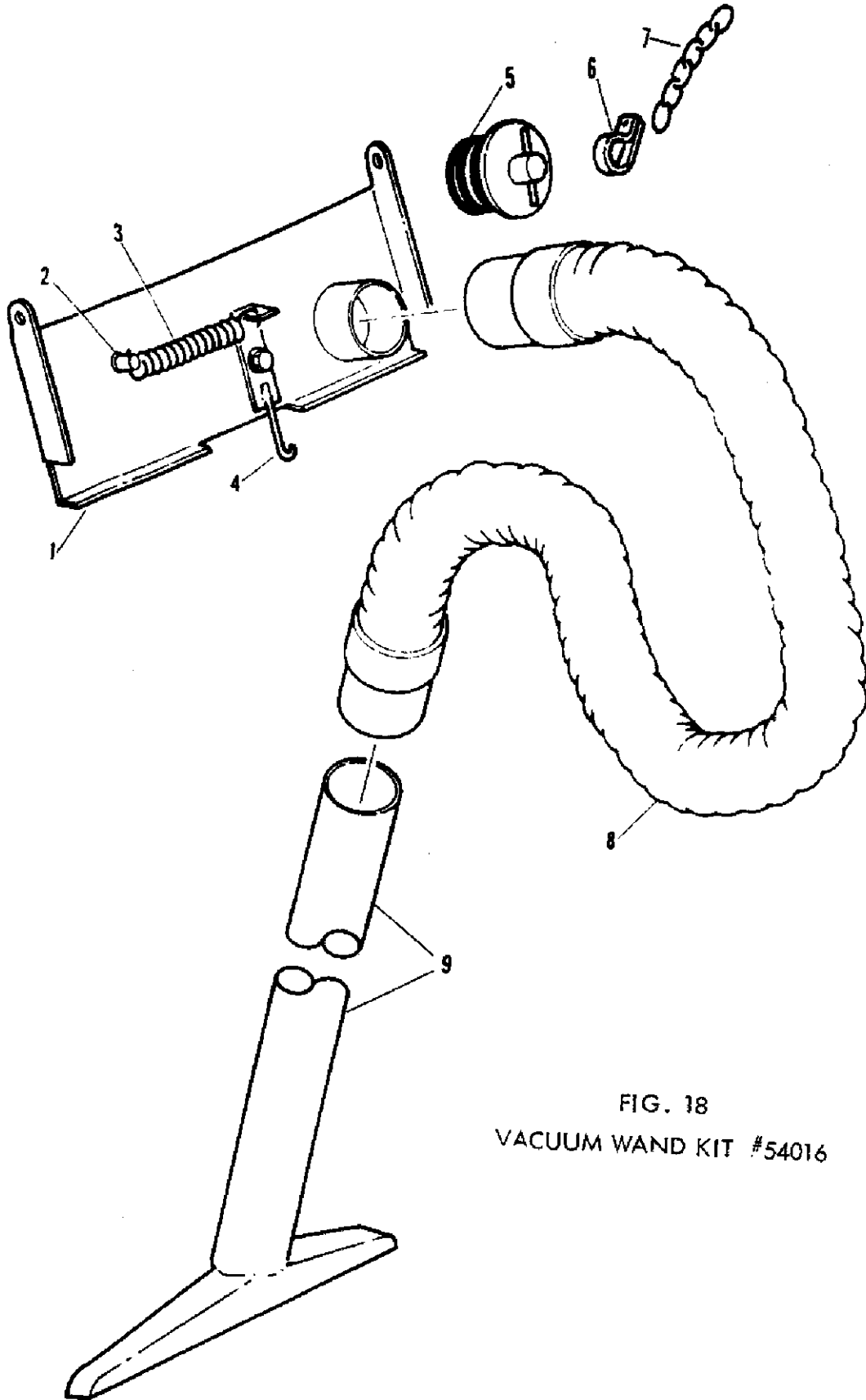


FIG. 18  
 VACUUM WAND KIT #54016

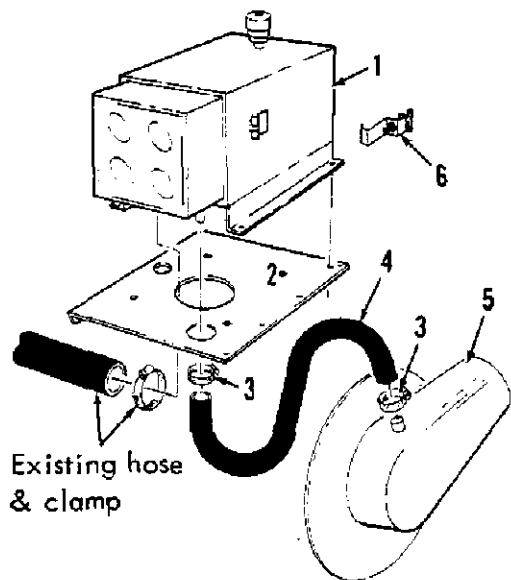
9/79

PARTS LIST FOR VACUUM WAND KIT 54016 (Standard Machine)

Ref. No.	TENNANT Part No.	Description	Qty.
1	49026	DOOR, Fire	1
2	51727	PIN, Clevis	1
3	01053	SPRING	1
4	54007	LATCH	1
5	42124	PLUG, Expandable	1
6	26395-2	CLAMP	1
7	49028	CHAIN	1
8	54009	HOSE & CUFF ASSEMBLY	1
9	54012	WAND	1
(not shown)	SK2731	CLIP, Holddown	6
(not shown)	08232-1	SPACER (Hopper)	1
	54135	DECAL, Vacuum attachment	1

PARTS LIST FOR VACUUM WAND KIT 50596 (Hi-Dump Machines)  
(factory installed only)

TENNANT Part No.	Description	Qty
32812	DOOR, Fire	1
50594	LEVER, Fire door	1
53697	CATCH, Spring	1
50590	DOOR, Access, hopper	1
50592	SEAL, Hopper access door	1
50597	FILTER BOX	1
37088-1	COVER, Filter box	1
51727	PIN, Clevis	1
01053	SPRING	1
42124	PLUG, Expandable	1
26395-2	CLAMP	1
49028	CHAIN	1
54009	HOSE & CUFF ASSEMBLY	1
54012	WAND	1
SK2731	CLIP, Holddown	1
08232-1	SPACER, Hopper	1
54135	DECAL, Vacuum attachment	1
28613-2	DECAL, TENNANT oval	1

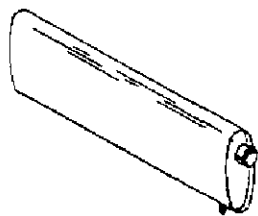


FARR AIR CLEANER KIT # 54852

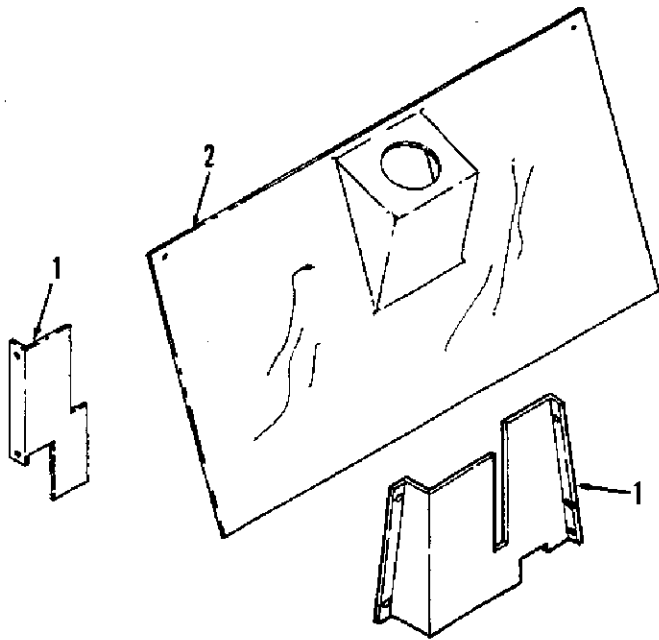
1	53180-2	AIR FILTER ASSEMBLY, Farr	1
	53179-3	HOUSING, Air cleaner	1
	54028	PANEL, Air pre-cleaner	1
	48127	ELEMENT, Air cleaner	1
	52033	INDICATOR, Air restriction	1
2	50827	DOOR, Instrument panel	1
3	54333	CLAMP, Wormdrive	3
4	50380	HOSE	1
5	53148-1	MANIFOLD, Vacuum fan air intake	1
6	49195	FASTENER ASSEMBLY	2
	48088-6	DECAL	1
	62595-17	MOLDING	1



02506-6 CAP, Gas, (Protectoseal)

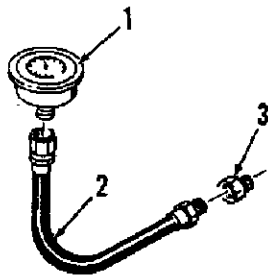


53295 MUFFLER, Spark arrest



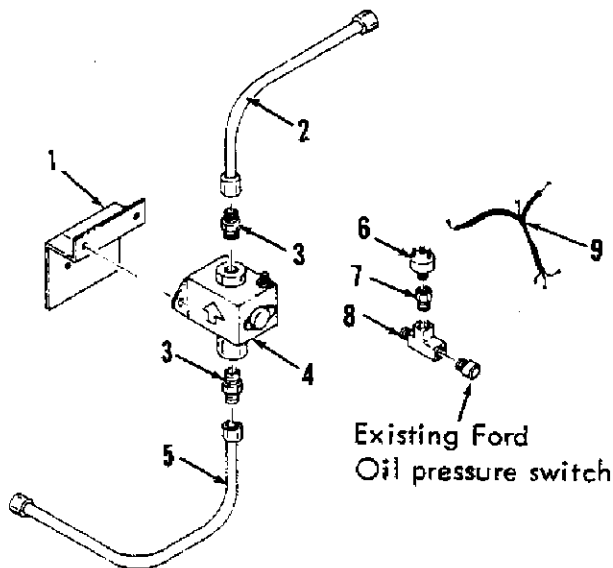
### OPERATOR SHIELD KIT #47553

1	54436	PANEL, Operator corner	1
2	23942	SHIELD, Operator leg	1
	14741	STUD, Snap-on	2
	59118-6	MOLDING, Rigid	1
	59118-7	MOLDING, Rigid	1



### OIL PRESSURE GAUGE KIT #50307 (In place of warning light)

1	47436	GAUGE, Oil pressure	1
2	53126	HOSE	1
3	17414	CONNECTOR	1
	47178-4	PLUG BUTTON, 0.50 dia.	1



### ELECTRIC FUEL PUMP KIT #50323-1

1	50337	BRACKET, Fuel pump mounting	1
2	50325	TUBE	1
3	22383	CONNECTOR	2
4	54230	PUMP, Fuel	1
5	56724	TUBE	1
6	51805	SENDING UNIT, Oil pressure	1
7	17414	CONNECTOR	1
8	24929	TEE	1
9	54875A	WIRE HARNESS	1
	47454	DECAL, UL type gas	1
	50567	DIODE ASSEMBLY (LPG)	1

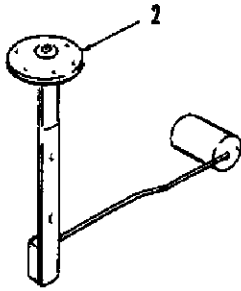
7/83



---

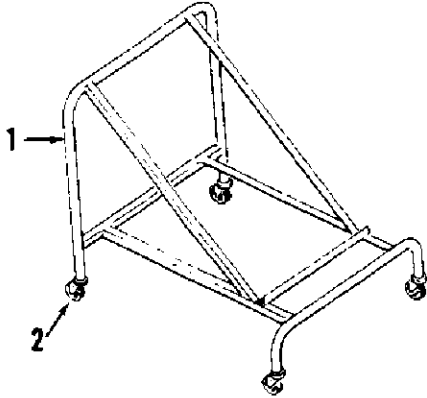
46712	PANEL LIGHT KIT	1
47768	LAMP & WIRE ASSEMBLY	1
14137	SWITCH	1
47769	WIRE ASSEMBLY	1

---



1	53195	FUEL GAUGE KIT	1
2	47472	GAUGE, Fuel level	1
	47473	SENDING UNIT, Fuel level	1
	14131	GASKET	1
	WD204	WIRING DIAGRAM	1
	14215	FUSE	1

---



1	24147	HOPPER DOLLY ASSEMBLY	1
	24145	CART	1
2	24149	SOCKET	4
	24259A	CASTER, Swivel	4

---



46938	FIRE EXTINGUISHER KIT	1
25312	FIRE EXTINGUISHER	1

---

ACCESSORIES NOT ILLUSTRATED

TENNANT Part No.	Description	Qty.
53848	TIRE CHAIN	1
43941	GAS SPOUT EXTENSION KIT	1
43940	EXTENSION, Spout	1
50324-1	HEAVY DUTY FILTER BOX KIT	1
53191	FILTER BOX ASSEMBLY	1
24108	LEAD, Shaker motor	1
53817	REAR TIRE & WHEEL ASSEMBLY, "BEARCAT"	1
53818	RIM ASSEMBLY	1
53816	TIRE, Solid	1
24507	DECAL, Caution	1
24120	FRONT TIRE & WHEEL ASSEMBLY, SOLID TIRE	2
25193A	RIM, Wheel	1
25197A	TIRE, Solid smooth	1
50360	HI-SPEED PROPELLING KIT	1
53892-2	MOTOR (Char-Lynn)	1
19582	SCREW	4
46480	CONNECTOR	2
59172	HOSE	2
43590	BATTERY HOLD-DOWN KIT	1
13016	BRACKET, Battery hold down	1
13013	ROD, Battery hold down	1
50611	TIRE & WHEEL ASSEMBLY, Foam-filled	1
47525	TIRE	1
53819-1	TUBE	1
53818	RIM ASSEMBLY	1
45786	CAP, Valve stem	1
53819-2	FLAP	1
53640	TIRE & WHEEL ASSEMBLY, Steelguard	1
53819	TIRE, TUBE & FLAP ASSEMBLY	1
45786	CAP, Valve stem	1
47550	TIRE & WHEEL ASSEMBLY, 4 ply	1
47525	TIRE	1
53819-1	TUBE	1
53818	RIM ASSEMBLY	1
45786	CAP, Valve stem	1
53819-2	FLAP	1
61034-1	BATTERY, 12 V	1
39550	AIR BYPASS KIT	1
39551	STIFFENER, Door seal	1
39554	DOOR ASSEMBLY	1
39559	ARM, Control	1
56202	SCOOP, Air	1
09092-1	CLAMP	1

7/83



# 265

# POWER SWEEPER

## LPG SYSTEM PARTS LISTS

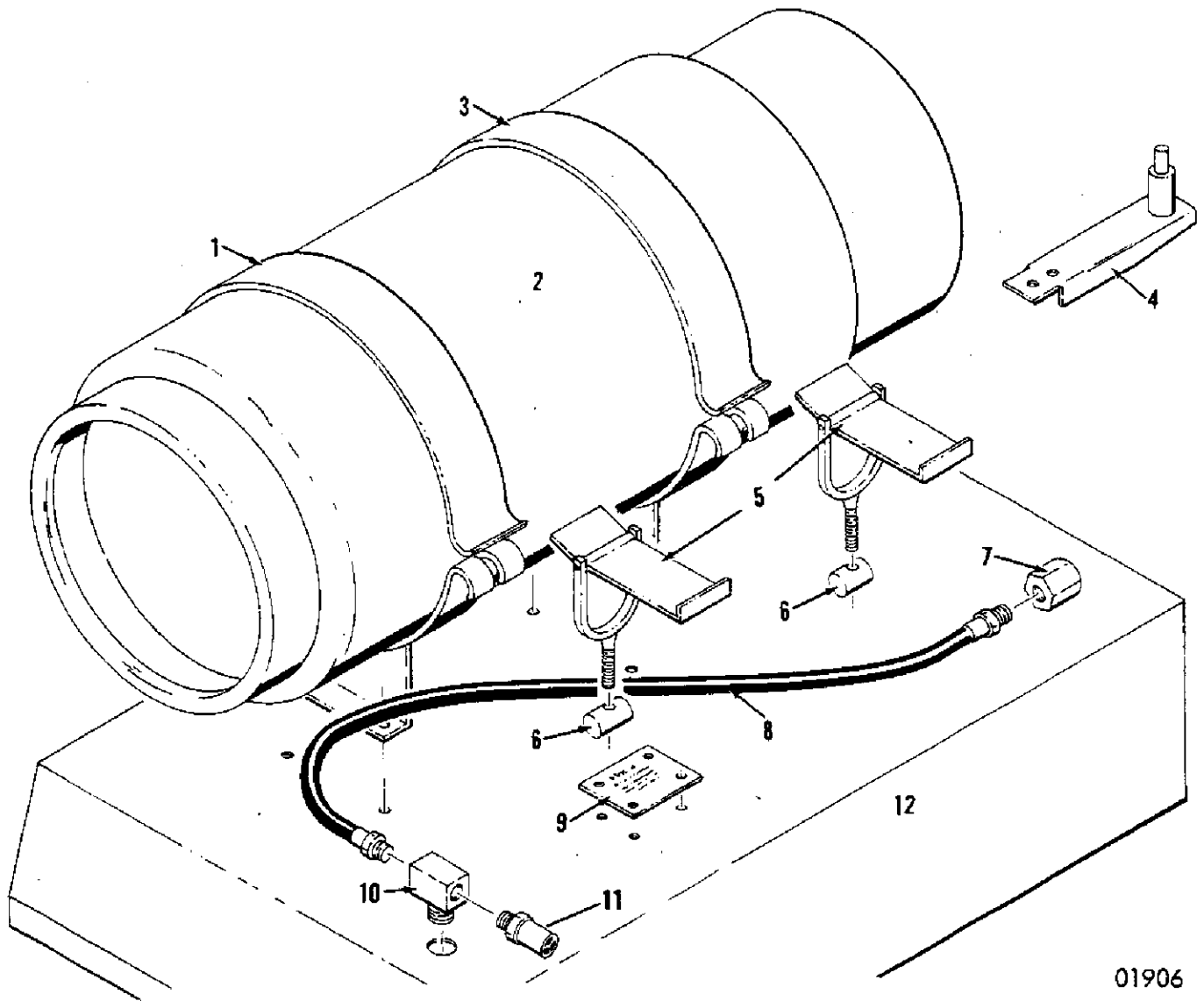
LP Tank and Engine Cover - - - - -1

LP System Parts - - - - - 2 - 3

LP Carburetor - - - - - 4 - 5

**lpg parts**





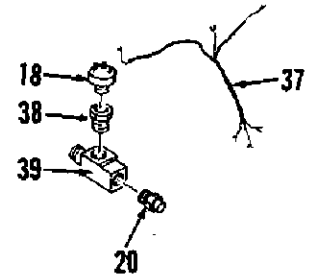
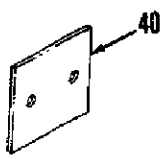
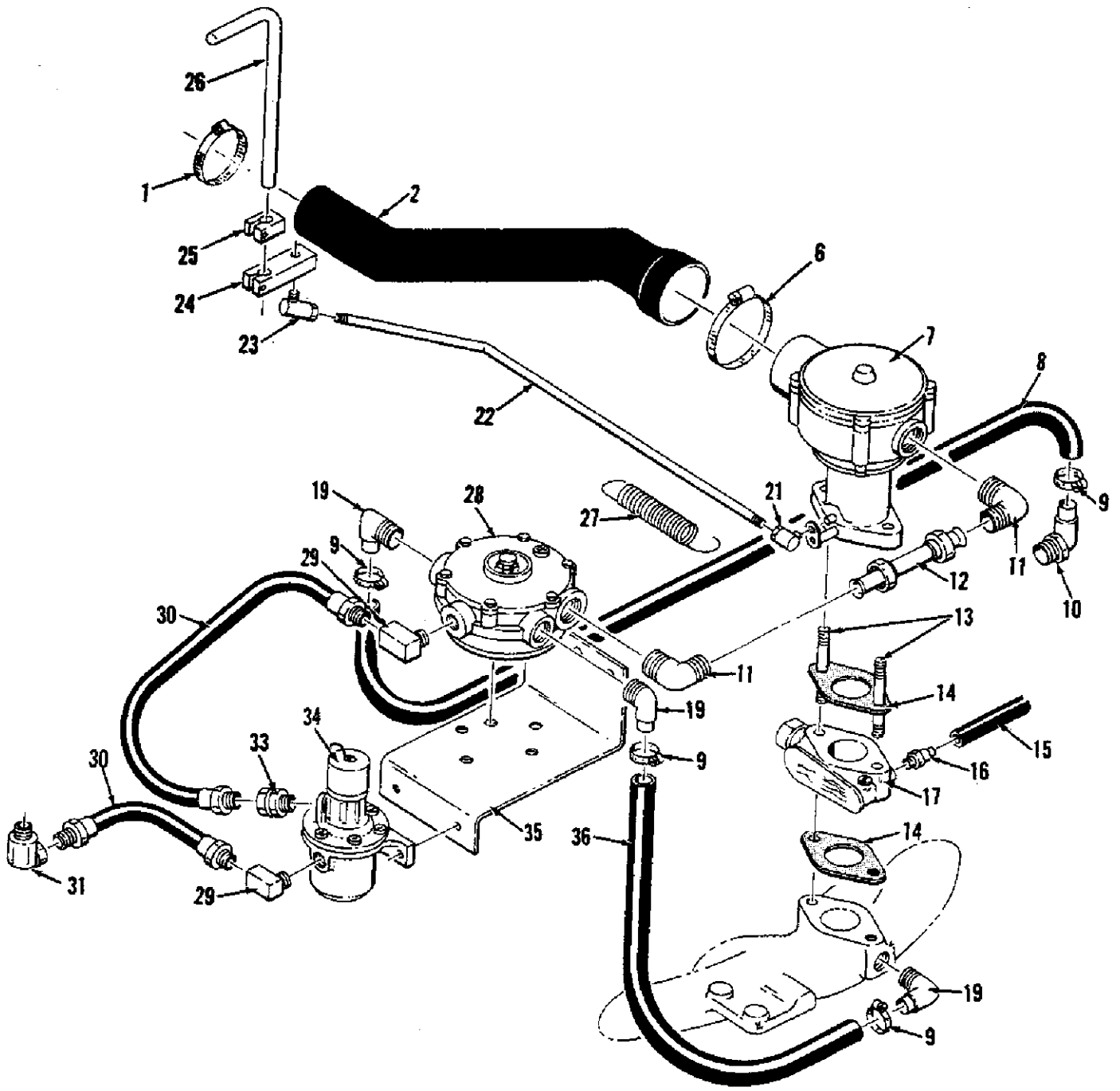
01906

LP COMPONENTS - TANK AND COVER GROUP

Ref. No.	TENNANT Part No.	Description	Qty.
1	32318	STRAP ASSEMBLY, Left Hand	1
2	24928	TANK, LP (liquid withdrawal)	1
3	32317	STRAP ASSEMBLY, Right Hand	1
4	32319	LOCATOR, Tank	1
5	53400-1	LATCH	2
6	53400-4	NUT, Adjustable	2
7	26496	COUPLING, LP	1
8	22308-3	HOSE	1
9	24049	PLATE, Data, LP	1
10	54216	TEE (Includes 3/4 flat washer, 3/4 star washer and 3/4 nut)	1
11	24047	VALVE, Pressure relief, LP	1
12	54937-2	COVER, Engine	1
	50306	PAWL, Latch	1
	49302-1	FASTENER, Engine cover	1

7/83

1



9/79

LP COMPONENTS

## LP COMPONENTS

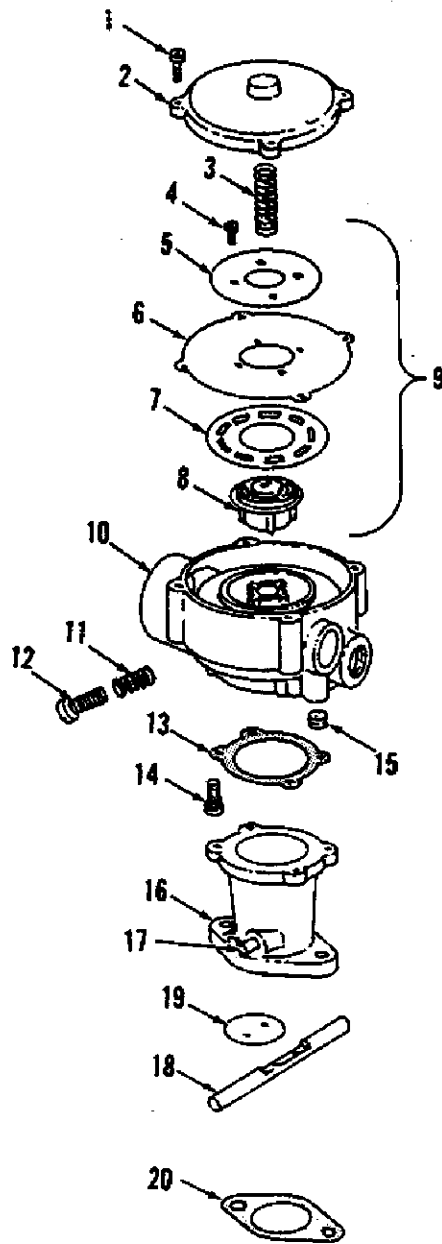
01907

Ref. No.	TENNANT Part No.	Description	Qty.
1	11531	CLAMP	3
2	50331-1	HOSE, Air intake (New one-piece molded type) NOTE: Previous hose (#50331), Spring (#50349) and Adapter (#54149) (replaced by SK1844)	1
	10552	PLUG, Pipe, 1/8"	1
6	22297	CLAMP	1
7	54929	CARBURETOR, LP	1
8	54027	HOSE	1
9	54333	CLAMP	4
10	37100	ELBOW, 45°	1
11	51869	ELBOW	2
12	50305	TUBE, LP	1
13	54844	STUD	2
14	54912-8	GASKET, Carburetor	2
15		HOSE, Rubber, governor to distributor (furnished with engine)	1
16	40607	CONNECTOR	1
17	54933	GOVERNOR	1
18	51805	SWITCH, Oil pressure	1
19	47388	ELBOW	3
20	37351	SWITCH, Oil pressure (Ford)	1
21	50332	BALLJOINT	1
22	50300	ROD, Throttle	1
23	14601	BALLJOINT	1
24	53270	PIVOT, Arm	1
25	53290	CLAMP, Stop, throttle rod	1
26	53267	LEVER, Throttle	1
27	50304	SPRING, Throttle return	1
28	54930	CONVERTER, LP	1
	55998	REPAIR KIT, Converter	1
29	27048	ELBOW	2
30	22308-6	HOSE, LP	2
31	11442-1	ELBOW	1
33	11442-23	CONNECTOR	1
34	53395-2	FUEL FILTER LOCK (repair kit is SK1444)	1
	50567	DIODE ASSEMBLY	1
35	54880	BRACKET	1
36	47826-1	HOSE	1
37	54875	WIRE HARNESS, LP	1
38	17414	FITTING, Pipe	1
39	24929	TEE	1
(not shown)	**32512	**ENGINE, Basic, LP	1
40	54911-28	COVER, (fuel pump opening)	
	54911-29	GASKET, (fuel pump opening)	

\*\*Machines with serial number up to and including 7414 used engine 54911-1.

To replace 54911-1, order SK2492. The basic engine 32512 does not include alternator, carburetor, voltage regulator, V-belt, fan, pulleys, and coil.

7/83



LPG CARBURETOR #54929

PARTS LIST FOR LPG CARBURETOR #54929

Ref. No.	Impco Part No.	Description	Qty.
1	S1-3	SCREW	4
2	C1-17	COVER	1
3	S2-13	SPRING, Air Valve	1
4	S1-22	SCREW	4
5	P2-22	PLATE, Back-up	1
6	D1-17	DIAPHRAGM	1
7	R1-19	RING, Air valve	1
8	BV1-14	AIR-GAS VALVE ASSEMBLY	1
9	AV1-14	VALVE & DIA PHRAGM ASSEMBLY	1
10	AB1-8-...	BODY ASSEMBLY (Specify for 2.06" air horn)	1
11	S2-6	SPRING, Idle screw	1
12	S1-11	SCREW, Idle	1
13	G1-11	GASKET, Throat to body	1
14	S1-19	SCREW	4
15	P3-3	PLUG, Pipe	1
16	T2-3	THROAT	1
17	P1-5	PIN, Throttle stop	2
18	S5-...	SHAFT, Throttle (specify shaft dia.)	1
19	F2-4	FLY, (for 1.50" throat)	1
20	G1-18	GASKET	1

NOTE: Ref. No's 1 thru 15 are included in MIXER ASSEMBLY #CA-100M-3.  
THROTTLE BODY ASSEMBLY #is AT2-3.





# 265

## POWER SWEEPER

hydraulic components

CONTENTS		Page
Fig. 1, 2, & 3	VICKERS TANDEM PUMP	2-5
Fig. 4	ALTERNATE MOTORS (Char-Lynn)	6-7
Fig. 5	MAIN BRUSH MOTOR	8
Fig. 6	MAIN BRUSH MOTOR (Ross Obsolete)	9
Fig. 7	SIDE BRUSH MOTOR (Ross)	10
Fig. 8	MAIN SCRUB BRUSH MOTOR	11
Fig. 9	WHEEL DRIVE MOTOR	12-13

### NOTE

The motors, pumps, and valves covered here have been modified for use on TENNANT Company machines. Repair parts should be ordered only from the parts lists provided in this section.

Production requirements may occasionally dictate that hydraulic components made by other manufacturers must be used. Please check the component for manufacturer's name and model number before ordering parts or seal kits.



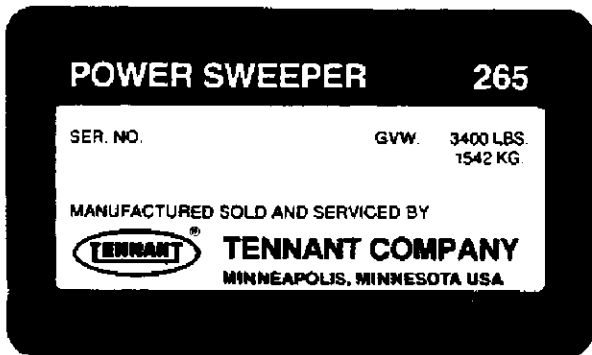
**ORDERING REPAIR PARTS**  
**FOR GASOLINE ENGINE TENNANT® PART NO. 76874A**  
**FOR LPG ENGINE TENNANT® PART NO. 78081A**

The components used in this machine have been carefully selected for performance and safety. Use only Tennant Company supplied or equivalent parts.

To receive prompt service in filling your parts orders, please direct all parts orders with Tennant Company part numbers to the Tennant Company, and all parts orders with vendor part numbers to the local supplier of the respective vendor.

To avoid errors or delays in filling your parts orders, please furnish all of the following information.

1. Refer to Tennant Company data plate. Always specify the machine model number and the machine serial number shown on the machine data plate.



2. Refer to the vendor part data plate. Always specify the model number and serial number shown on the data plate.
3. Give the part number, description, and the quantity needed of each item on the order. Do not order by reference number or the figure number of the illustrated parts.
4. Indented items indicate parts of assemblies. Standard hardware is furnished only when part of a purchased assembly. Please order hardware from a local hardware supplier.
5. If the old part cannot be identified, send it to us with the quantity needed specified on the order.
6. State definite shipping instructions to include the shipping address and/or the billing address if there is a difference. Any claim for loss or damage to a shipment in transit should be filed promptly against the transportation company making the delivery. Shipments will be complete unless the packing list or order acknowledgement indicate items back ordered.

If parts received are suspected to be incorrect or defective, please write, wire, or phone the parts supplier from whom you ordered the part. They will give authorization for return and/or handle replacement shipments when required.

**SI (INTERNATIONAL SYSTEM) UNITS OF MEASURE**

Metric equivalents have been included, where applicable, throughout this parts catalog.

**BOLT AND CAP SCREW STRENGTH IDENTIFICATION**

Bolts and cap screws required to have high-strength qualities equivalent to SAE Grade 8 are identified throughout this catalog by the description GR 8. Unless identified by this description, all standard bolts and cap screws are SAE Grade 5.

38448 for STANDARD MACHINE  
38452 for HIGH DUMP MACHINE

ACCESSORY PUMP 74929

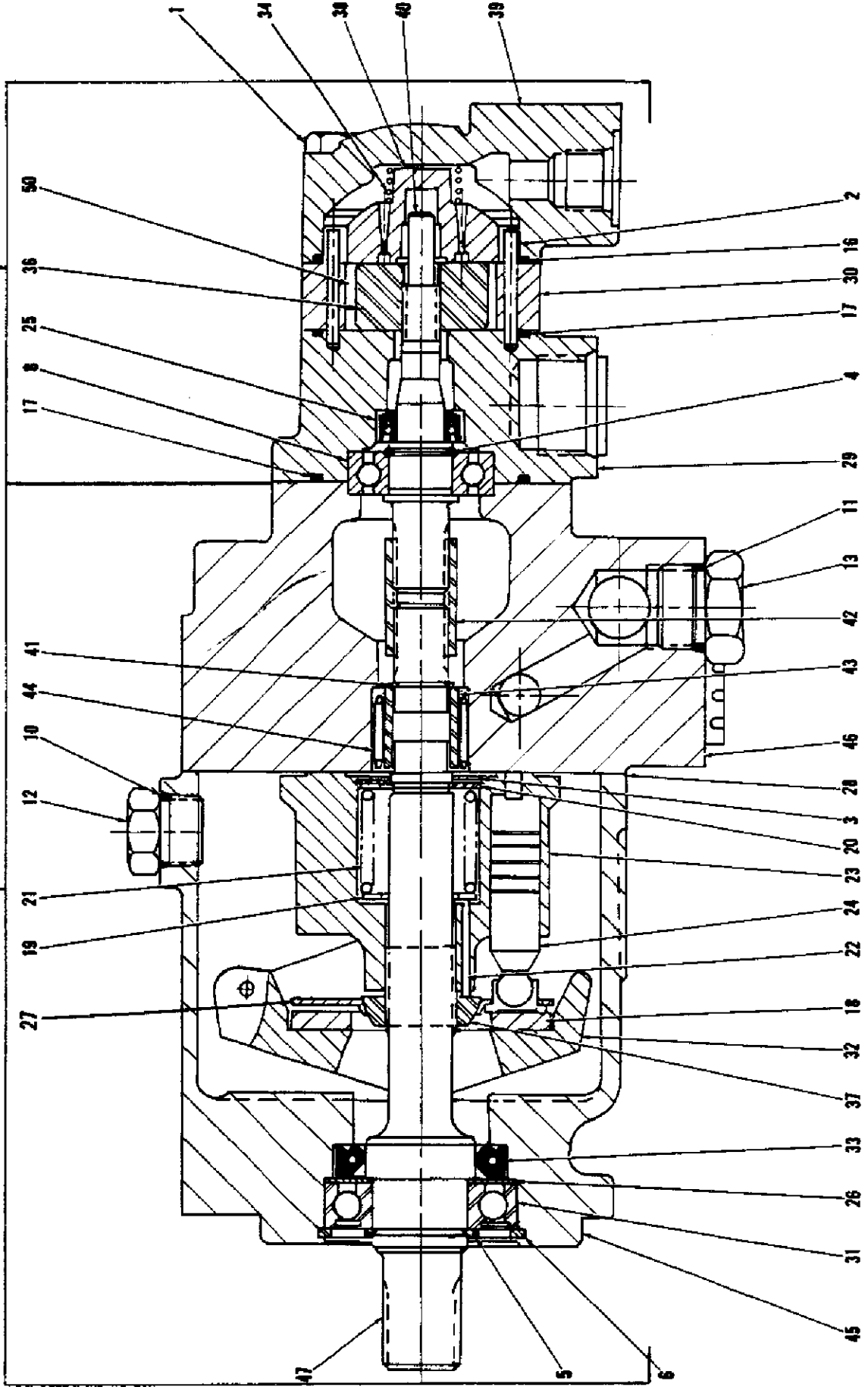


FIG. 1 - VICKERS TANDEM PUMP

FIG. 1 - VICKERS TANDEM PUMP PARTS LIST

TENNANT Company Part Number 47925 (Standard machine)  
 TENNANT Company Part Number 47861 (Hi-Dump machine)

Ref. No.	VICKERS Part No.	Description	Qty.
1	001278	SCREW	4
2	039640	PIN	2
3	093509	RING, Snap	1
4	98653	RING, Retainer	1
5	119982	RING, Retainer	1
6	120428	RING, Retainer	1
8	1704	BEARING	1
10	*154130	O-RING	1
11	*154131	O-RING	1
12	181792	PLUG	1
13	187087	PLUG	1
16	*199822	O-RING	1
17	*199823	O-RING	2
18	239077	PLATE, Swash	1
19	241954	WASHER, Thrust	1
20	245223	WASHER	1
21	247294	SPRING	1
22	248811	PIN, Spring	3
23	260860	CYLINDER, Block	1
24	941887	PISTON KIT, (9 pistons)	1
25	**263585	SEAL, Shaft	1
26	274382	RETAINER, Shaft seal	1
27	275961	PLATE, Shoe	1
28	317162	GASKET	1
29	397741	BODY, Vane pump	1
30	317677	RING	1
31	326805	BEARING, Ball	1
32	325689	YOKE	1
33	**343573	SEAL, Oil, shaft	1
34	345262	SPRING	1
36	351247	ROTOR, Vane pump	1
37	423324	WASHER, Spherical	1
38	374343	PRESSURE PLATE SUB-ASSEMBLY	1
39	372865	COVER, Vane pump	1
40	397742	SHAFT, Vane pump	1
41	390218	RING, Retainer	1
42	389354	COUPLING	1
43	389355	RACE, Inner	1
44	390219	BEARING, Needle	1
45	392305	HOUSING	1
46	400395	PLATE, Valve	1
47	397737	SHAFT, Drive, Piston pump	1
50	923500	VANE KIT, (12 vanes)	1

\* Included in Overhaul Seal Kit SK 1344

\*\* Included in Shaft Seal Kit SK 1345

(See following pages for additional parts)

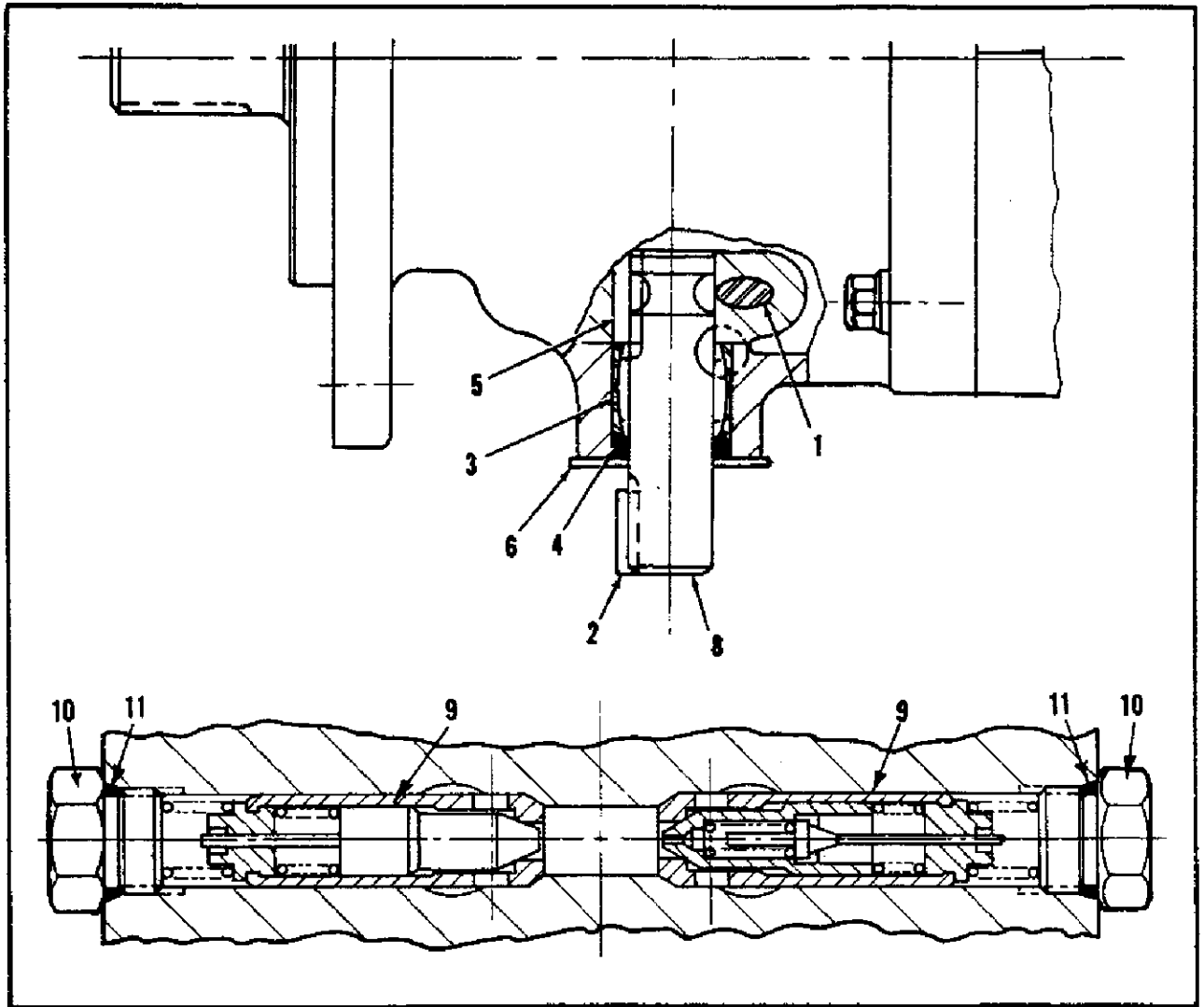


FIG. 2 - VICKERS TANDEM PUMPS NO. 47925 & 47861

Ref. No.	VICKERS Part No.	Description	Qty.
1	001306	SCREW	2
2	09966	KEY, Lever	2
3	012016	BEARING, Needle	2
4	*154014	O-RING	4
5	474963	KEY, Pintle	2
6	347573	PLATE, Pintle cover	2
8	424520	YOKE, Pintle, Long	2
9	318399	RELIEF VALVE , 4500 psi (31,027 kPa) for 47861 pump	2
9	339490	RELIEF VALVE , 3000 psi (20,685 kPa) for 47925 pump	2
10	307354	PLUG	2
11	*154129	O-RING	2

\* Included in Overhaul Seal Kit SK 1344

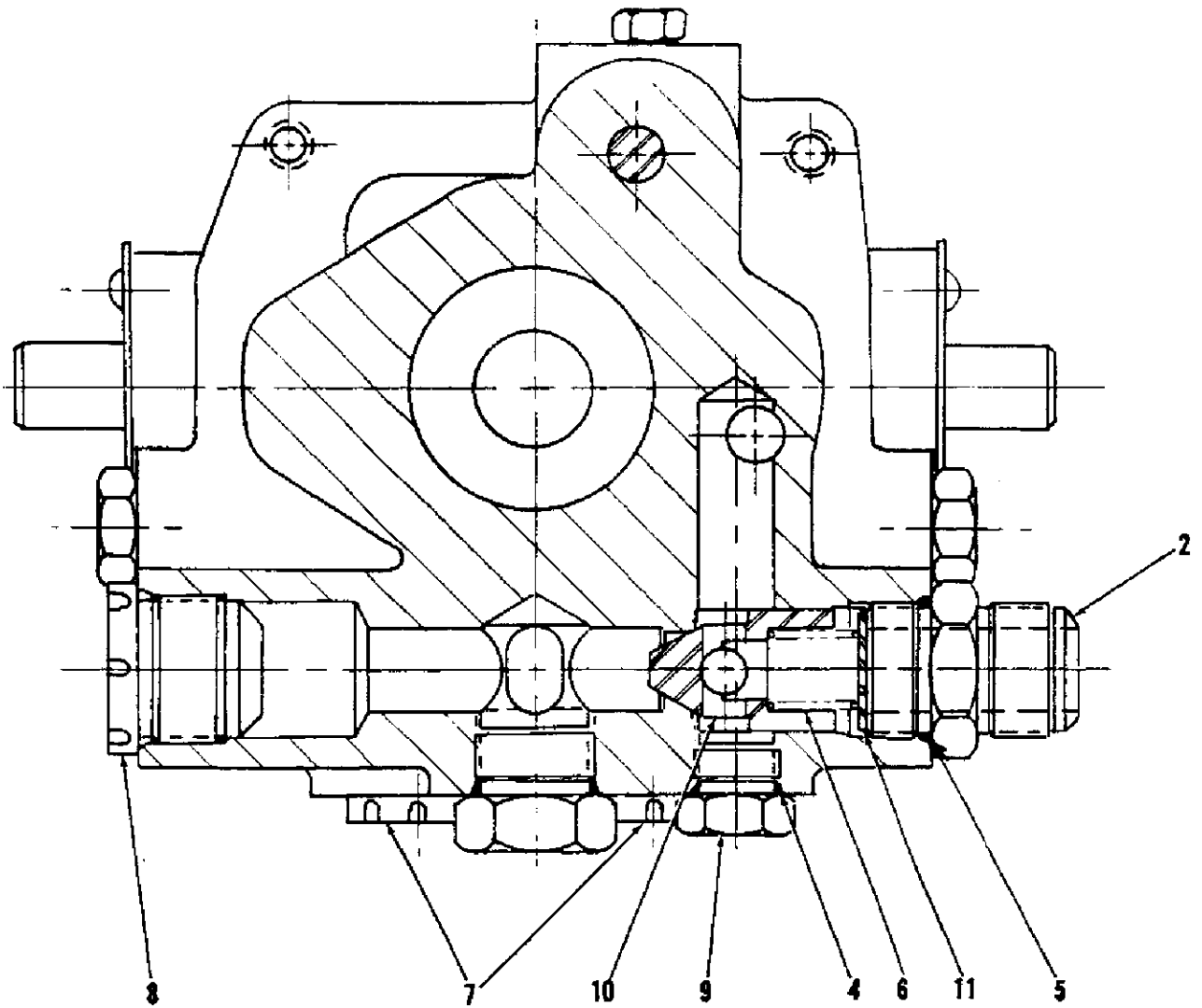
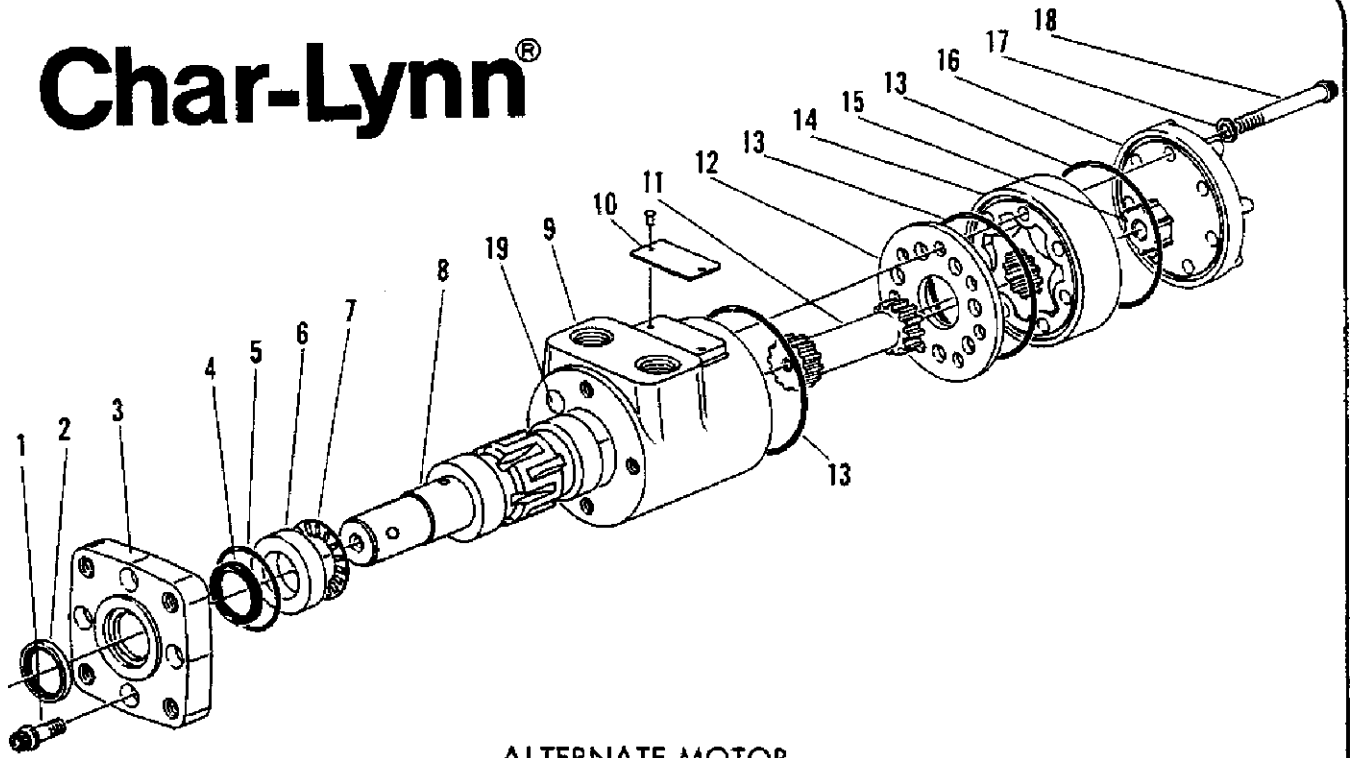


FIG. 3 - VICKERS TANDEM PUMPS NO. 47925 & 47861

Ref. No.	VICKERS Part No.	Description	Qty.
2	406716	FITTING	1
4	*154129	O-RING	3
5	*184197	O-RING	1
6	402618	SPRING	1
7	235511	SHIPPING PLUG	2
8	237524	SHIPPING PLUG	1
9	307354	PLUG	1
10	399412	POPPET-CHECK VALVE	1
11	399413	RETAINER, Spring	1

\* Included in Overhaul Seal Kit SK 1344

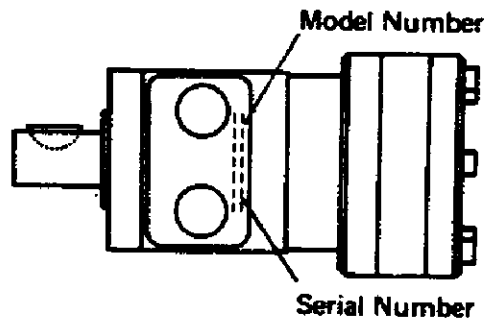
# Char-Lynn®



ALTERNATE MOTOR

FIG. 4

EXPLODED VIEW OF CHAR-LYNN HYDRAULIC MOTORS (-007 SERIES)  
USED FOR SIDE BRUSH, MAIN BRUSH AND MAIN SCRUB BRUSH.  
(Reference numbers refer to Parts List)



**EAT•N** Fluid Power  
Products



FIG. 4 - HYDRAULIC MOTORS

PARTS LISTS FOR CHAR-LYNN HYDRAULIC MOTORS (-007 Series)  
USED ON SIDE BRUSH, MAIN BRUSH & MAIN SCRUB BRUSH

Ref. No.	Obsolete Main Brush Char-Lynn design series 007 TENNANT # 47650	Obsolete Main Scrub Brush Char-Lynn design series 007 TENNANT # 47650-6	Side Brush Char-Lynn design series 007 TENNANT # 47650-12	Description	Qty.
1	5777	5777	5777	SCREW, Cap	4
2	*	*	*	SEAL, Dust, shaft	1
3	7464	7620	7464	FLANGE, Mounting	1
4	*	*	*	SEAL, Shaft (alternate seal & back-up ring may be used, however, for replacement order #9057-1)	1
5	*	*	*	O-RING	1
6	7462	7462	7462	RACE, Thrust bearing	1
7	7537	7537	7537	BEARING, Thrust, needle	1
8	7360-7	7360-5	7360-13	SHAFT, Output	1
9	7359-3	7359-1	7359-1	HOUSING	1
10	9029-1	9029-1	9029-1	NAMEPLATE	1
11	602	602	616	DRIVE	1
12	7358	7358	7358	PLATE, Spacer	1
13	*	*	*	O-RING	3
14	7357-2	7357-2	7357-6	GEROTOR ASSEMBLY (includes ring & star)	1
15	none	none	6901-5	SPACER	1
16	7461	7461	7461	CAP, End	1
17	6049	6049	6049	WASHER, Seal	7
18	5389-2	5389-2	5389-6	SCREW, Cap	7

\* Indicates parts of Seal Kit No. SK1600, which includes instructions.

All component parts numbers listed above are Char-Lynn numbers.

Before ordering parts, check motor nameplate to determine which motor model was used on your machine. Remember that Ross and Char-Lynn hydraulic motors can be used as alternates.

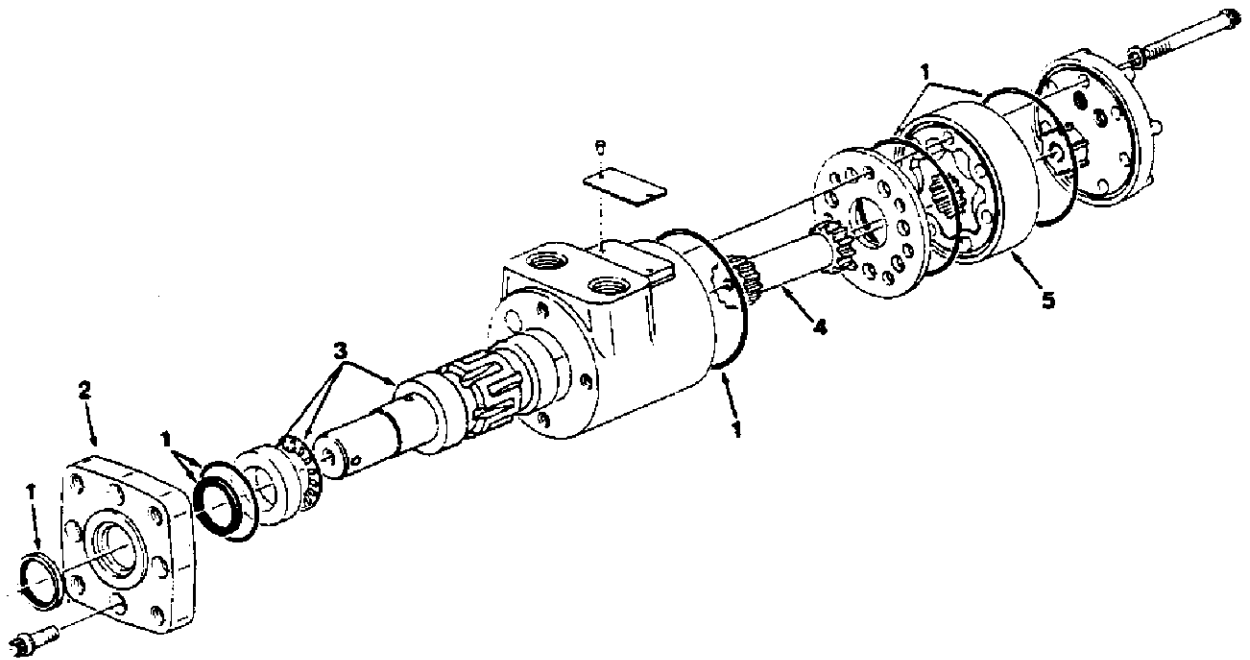


FIG. 5 - MAIN BRUSH MOTOR BREAKDOWN

01656

Ref. No.	TENNANT Part No.	Description	Qty.
	* 34423	MOTOR, Hydraulic	1
1	SK1600	SEAL KIT	1
2	34174	FLANGE, Mounting	1
3	34175	SHAFT ASSEMBLY, Output	1
4	34176	DRIVE	1
5	34177	GEROTOR SET	1

\* Used on machines with serial number from 9003 and above.

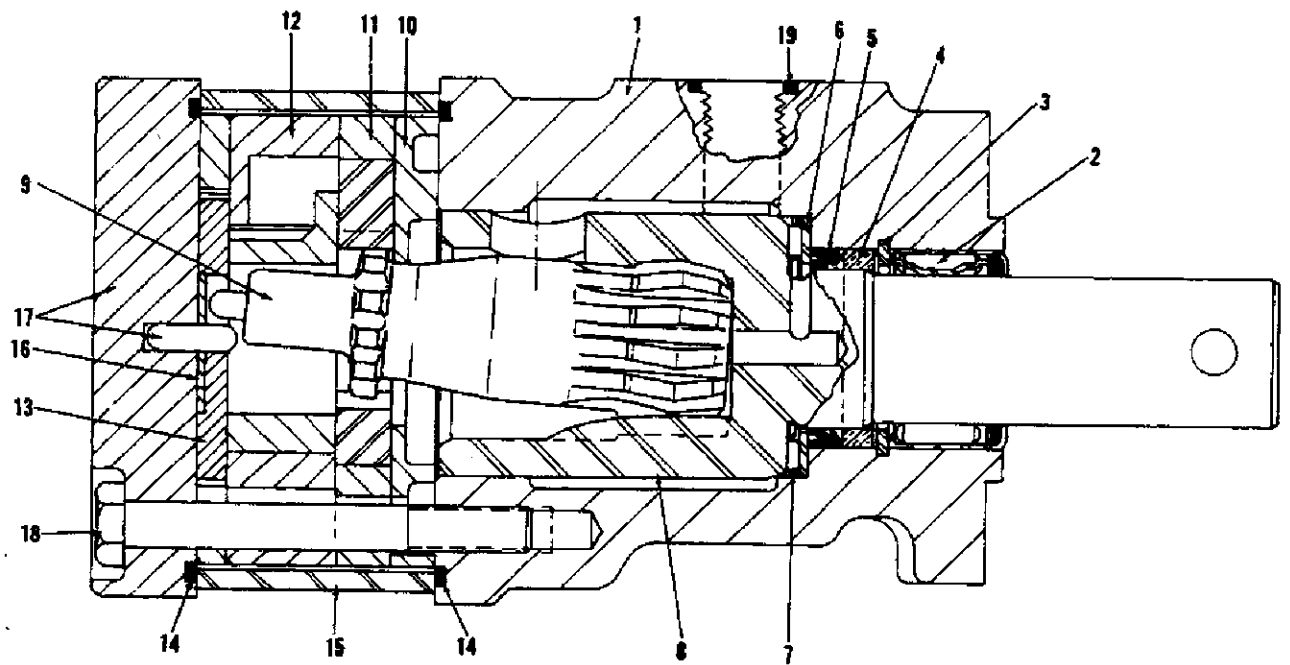


FIG. 6 - MAIN BRUSH MOTOR 47514 (OBSOLETE)

Ref. No.	ROSS Part No.	Description	Qty.
1	MAC012007	HOUSING	1
2	065503	BEARING, Needle	1
3	401369	RING, Retaining	1
4	*	*SPACER	1
5	*	*SEAL, Shaft	1
6	400108	WASHER, Thrust	1
7	066980	BEARING, Thrust	1
8	091430	SHAFT, Coupling	1
9	MAC063000A1	DRIVE LINK ASSEMBLY	1
10	477255	SPACER	1
11	MAC067000	ROTOR SET	1
12	MAC015000	MANIFOLD	1
13	MAC014000A1	COMMUTATOR ASSEMBLY	1
14	*	*O-RING	2
15	099061	RETAINER, Seal	1
16	028395	WASHER	1
17	402364X1	END COVER ASSEMBLY	1
18	021306	SCREW	7
19	032200-10	O-RING, Port	2

\* Included in Seal Kit SK1694(instructions for seal replacement and repair included).

Char-Lynn motors may be used as alternates -- check your motor before ordering repair parts.

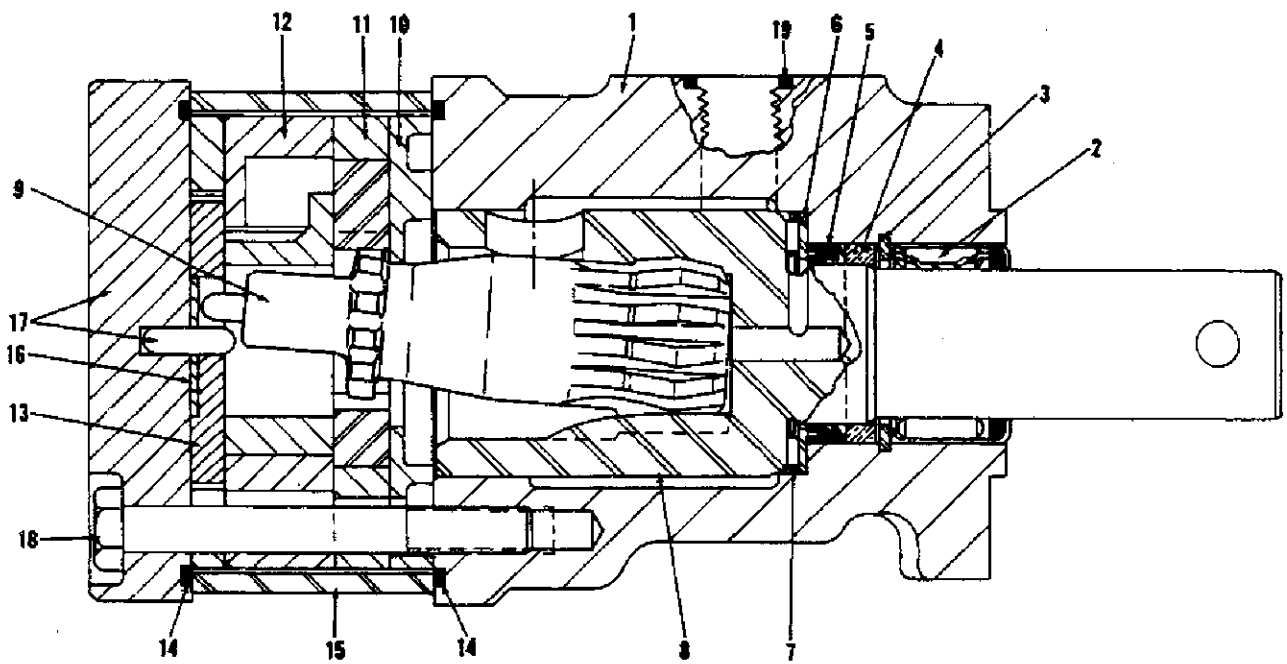


FIG. 7 - SIDE BRUSH MOTOR 47542

Ref. No.	ROSS Part Number	Description	Qty.
1	MAC012008	HOUSING	1
2	065503	BEARING, Needle	1
3	401369	RING, Retaining	1
4	*	SPACER	1
5	*	SEAL, Shaft	1
6	400108	WASHER, Thrust	1
7	066980	BEARING, Thrust	1
8	091446	SHAFT, Coupling	1
9	MAC163000A1	DRIVE LINK ASSEMBLY	1
10	477255	SPACER	1
11	MAC207000	ROTOR SET	1
12	MAC015001	MANIFOLD	1
13	MAC014000A1	COMMUTATOR ASSEMBLY	1
14	*	O-RING	2
15	099059	RETAINER, Seal	1
16	028395	WASHER	1
17	402364X1	END COVER ASSEMBLY	1
18	021307	SCREW	7

\* Included in Seal Kit SK1694 (instructions for seal replacement and repair included).

Char-Lynn motors may be used as alternates -- check your motor before ordering repair parts.

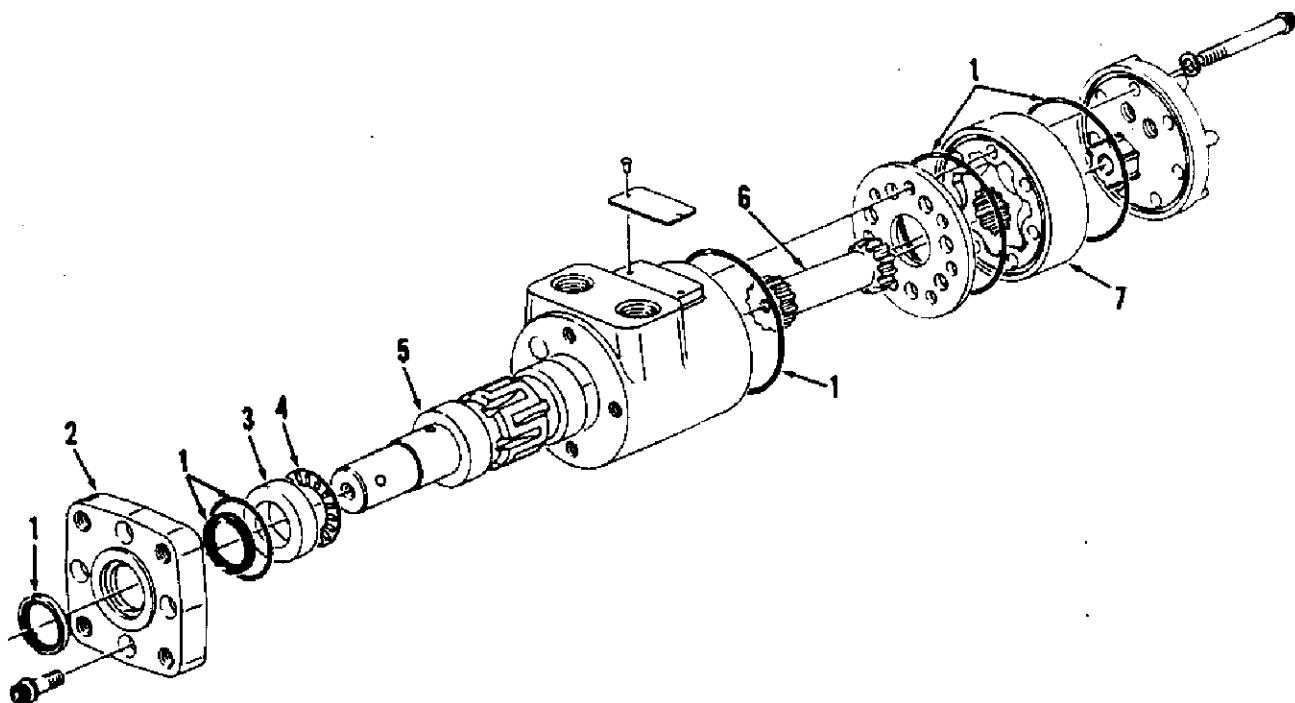


FIG. 8 - MAIN SCRUB BRUSH BREAKDOWN

Ref. No.	Char-Lynn Part No.	Description	Qty.
	* 33795	MOTOR, Hydraulic, Scrub	1
1	** SK1600	SEAL KIT	1
2	7620	FLANGE, Mounting	1
3	7462	RACE, Thrust bearing	1
4	7537	BEARING, Thrust, needle	1
5	7360-5	SHAFT, Output	1
6	602	DRIVE	1
7	7357-2	GEROTOR ASSEMBLY	1

\* Used on machines with serial number from 9003 and above.

\*\* Tennant Company part number

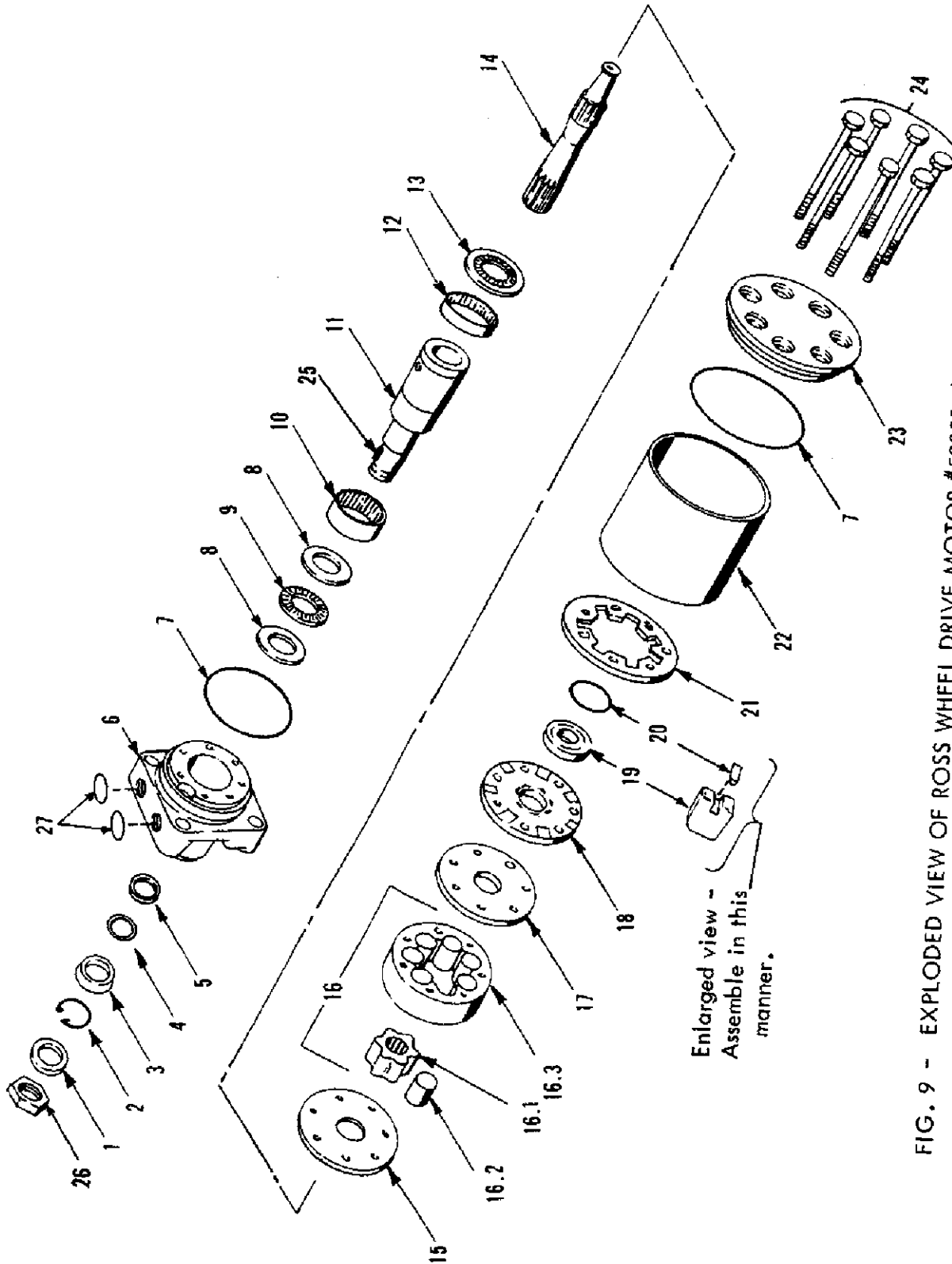


FIG. 9 - EXPLODED VIEW OF ROSS WHEEL DRIVE MOTOR #53032 & 37041

PARTS LIST FOR FIG. 9

WHEEL DRIVE MOTOR - STANDARD MACHINES #53032  
 WHEEL DRIVE MOTOR - HI-DUMP MACHINES #37041

Fig. 6 Ref. No.	Motor 53032 Part No.	Motor 37041 Part No.	Description	Qty.
1	032436	032436	SEAL, Dirt	1
2	401346	401393	RING, Retaining	1
3	028398	028398	SPACER, Seal	1
4	029103	029103	WASHER, Backup	1
5	032614	032633	SEAL, Shaft	1
6	MAB12002-A1	MAB12002-A1	HOUSING ASSY. (includes items 8, 9, 10, and 12)	1
7	032519	032519	O-RING, Body	2
8	400103	400103	WASHER, Thrust	2
9	067029	067029	BEARING, Thrust	1
10	070502	070502	BEARING, Needle	1
11	091404	091442	SHAFT	1
12	070501	070501	BEARING, Needle	1
13	067031	067031	BEARING, Thrust	1
14	MAB243001	MAE243000	LINK, Drive	1
15	477237	477259	PLATE, Wear	1
16	MAB247000-A3	MAE247000	ROTOR ASSY., Includes:	1
16.1	NSS	NSS	ROTOR	1
16.2	NSS	NSS	VANE	7
16.3	NSS	NSS	STATOR & RING ASSY.	1
17	477238	477260	PLATE, Manifold	1
18	MAB015001	MAE015000	MANIFOLD	1
	MAB018000S1	MAB018000S1	COMMUTATOR ASSY. (includes 19 & 21)	1
19	NSS	NSS	COMMUTATOR	1
20	032435	032435	SEAL, Commutator	1
21	NSS	NSS	RING, Commutator	1
22	099024	099066	SLEEVE	1
23	MAB016000-A1	MAE016000-A1	END COVER ASSY.	1
24	021272	021273	SCREW	7
25	039027	039027	KEY, Shaft	1
26	025113	025113	NUT, Slotted	1
(not shown)	SK1140A	SK1140A	SEAL KIT (includes items 1, 2, 3, 4, 5, 7, & 20)	1
27	54986	54986	O-RING, Port (not part of motor)	2

**NOTE** All reference part numbers are Ross part numbers.  
 Items marked "NSS" are not available separately, only in assemblies.  
 Motor seal kit includes all seals and repair instructions.





# 265

## POWER SWEEPER

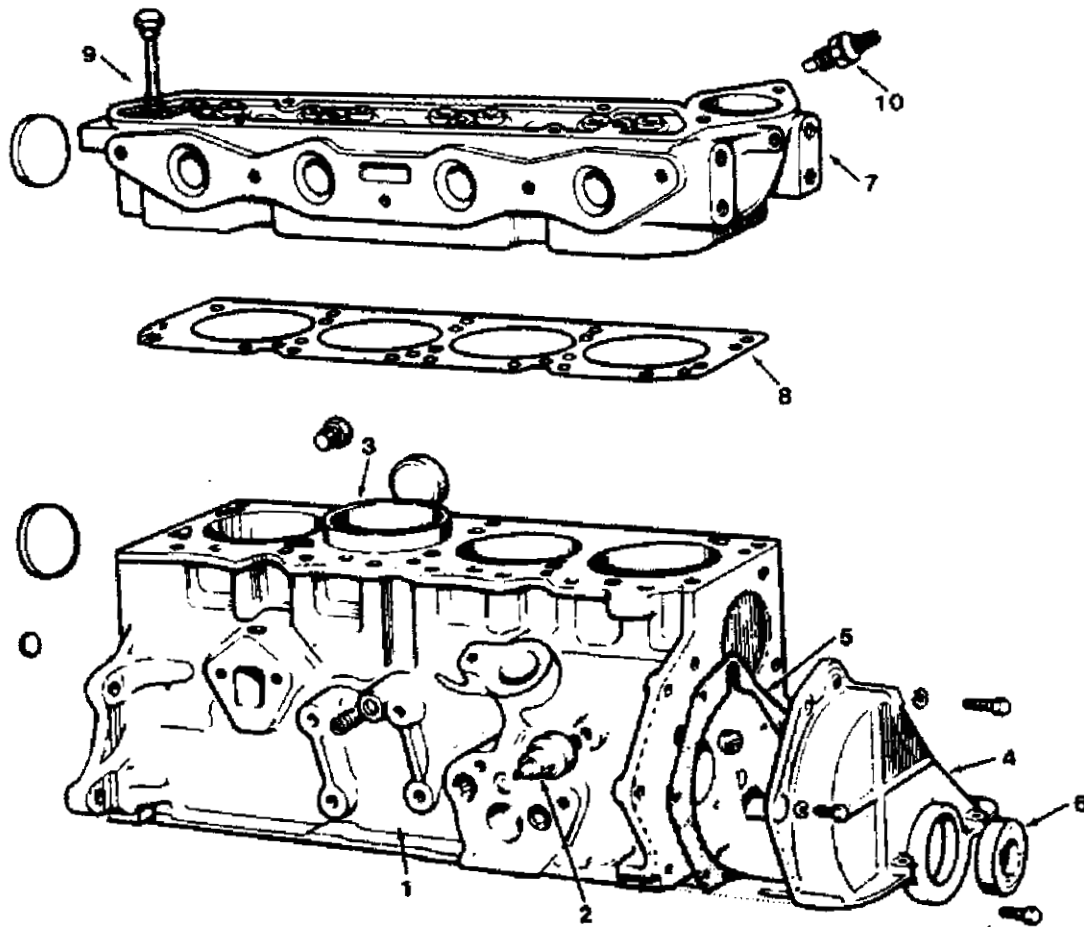
### CONTENTS

	Page
Ordering Repair Parts.....	1
Fig. 1 - Cylinder Block and Head Group .....	2
Fig. 2 - Crankshaft Parts Group .....	4
Fig. 3 - Valves, Push Rods, and Rocker Arm - Cover Group.....	6
Fig. 4 - Camshaft, Gear, and Bearings Group .....	8
Fig. 5 - Piston and Connecting Rod Group .....	9
Fig. 6 - Oil Pump, Oil Pan, and Crankcase Vent - Group.....	10
Fig. 7 - Water Pump, Thermostat, and Fan Blade - Group.....	12
Fig. 8 - Intake, Exhaust Manifold, and - Carburetor Group.....	13
Fig. 9 - Fuel Filter and Fuel Pump Group.....	14
Fig. 10 - Ignition Coil Distributor, and Spark - Plugs Group.....	15
Fig. 11 - Alternator Group.....	16
Fig. 12 - Starter Motor.....	17
Fig. 13 - Engine Gasket Kits Group .....	18

**engine parts**







**FIG. 1 - CYLINDER BLOCK AND HEAD GROUP**

**FIG. 1 - CYLINDER BLOCK AND HEAD GROUP**

KEY	TENNANT® PART NO.	FORD PART NUMBER	ENGINE SERIAL NUMBER	DESCRIPTION	QTY.
1		711M-6010-BA	( - )	BLOCK, Cylinder	1
		751M-6011-ACA	( - )	BLOCK, Cylinder with pistons, etc.	1
2	37351	D1RY-9278-A	( - )	SWITCH, Oil pressure	1
3		DORY-6055-A	( - )	LINER, Cylinder block, standard	4
		DORY-6055-B	( - )	LINER, Cylinder block, 0.020" O/S	4
4		731M-6059-BA	( - )	FRONT COVER	1
5	37333	D1FZ-6020-B	( - )	GASKET, Front cover	1
6	37342	D1FZ-6700-B	( - )	SEAL, Front cover oil	1
7	54911-2	D6JL-6A018-A	( - )	HEAD, Cylinder	1
8	54911-23	DORY-6051-B	( - )	GASKET, Cylinder head	1
9		D1FZ-6065-B	( - )	BOLT, Cylinder head	8
		D1FZ-6065-C	( - )	BOLT, Cylinder head	2
10	78005-2	D1FZ-10884-B	( - )	SENDER, Water temperature	1
	54911-16	70HM-6397-AA	( - )	PIN, Dowel	1

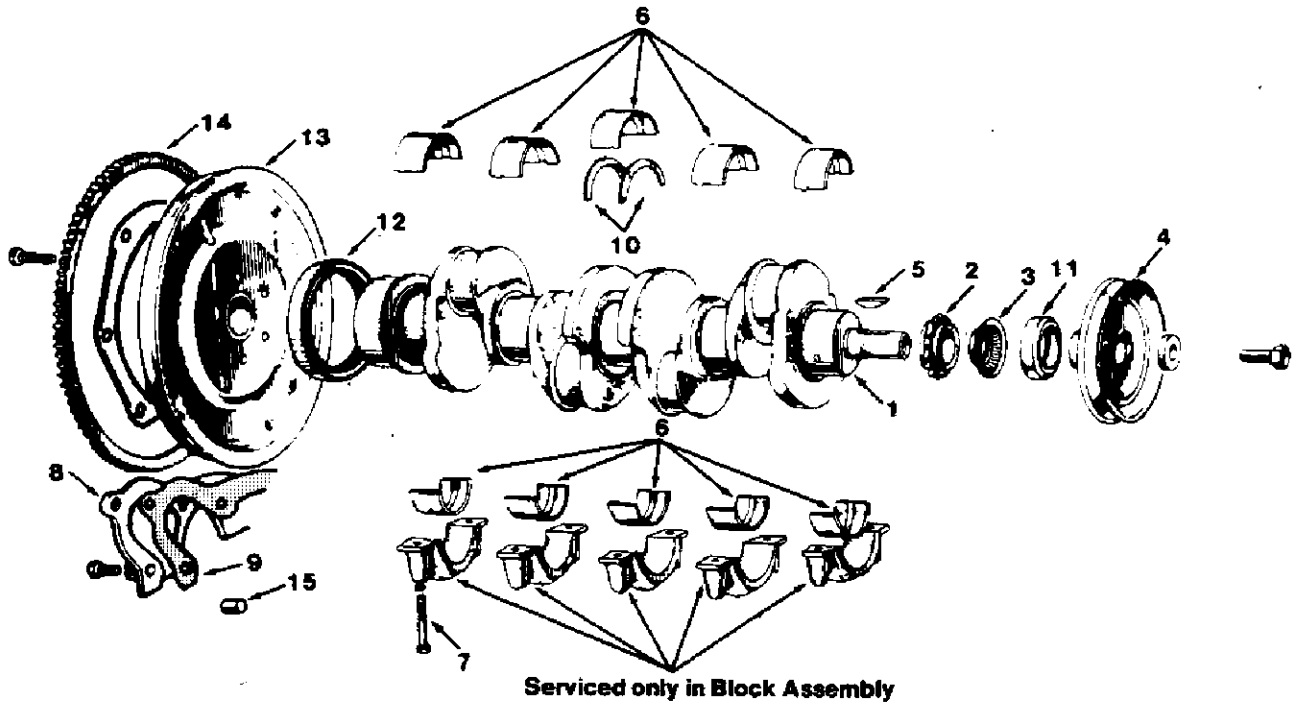


FIG. 2 - CRANKSHAFT GROUP

FIG. 2 - CRANKSHAFT GROUP

KEY	TENNANT® PART NO.	FORD PART NUMBER	ENGINE SERIAL NUMBER	DESCRIPTION	QTY.
1		D8RZ-6303-A	( - )	CRANKSHAFT	1
2	37321	DORY-6306-A	( - )	SPROCKET	1
3		D1FZ-6310-A	( - )	SLINGER	1
4		D8JL-6A312-A	( - )	PULLEY, Double sheave	1
5	37312	DORY-6B316-A	( - )	KEY	1
6	37353	D2FZ-6333-L	( - )	BEARING, Standard O.D. and standard I.D. red	10
	37352	D2FZ-6333-B	( - )	BEARING, Standard O.D. and standard I.D. blue	As Req.
	38073	D2FZ-6333-E	( - )	BEARING, Standard O.D. and 0.010" undersize I.D.	As Req.
		D2FZ-6333-F	( - )	BEARING, Standard O.D. and 0.020" undersize I.D.	As Req.
		D2FZ-6333-G	( - )	BEARING, Standard O.D. and 0.030" undersize I.D.	As Req.
		D2FZ-6333-H	( - )	BEARING, 0.015" oversize O.D. and standard I.D.	As Req.
		D2FZ-6333-C	( - )	BEARING, 0.015" oversize O.D. and 0.010" undersize I.D.	As Req.
		D2FZ-6333-J	( - )	BEARING, 0.015" oversize O.D. and 0.020" undersize I.D.	As Req.
		D8RZ-6333-Z	( - )	BEARING, 0.015" oversize O.D. and 0.030" undersize I.D.	As Req.
7		D1FZ-6345-B	( - )	BOLT, Main bearing cap	10
8		D1FZ-6335-C	( - )	RETAINER	1
9		DORY-6344-A	( - )	GASKET	1
10	37689	D1FZ-6A355-A	( - )	WASHER, Main bearing, standard, 2.938" O.D.	2
	37329	D1FZ-6A355-B	( - )	WASHER, Main bearing, 0.025" oversize	As Req.
	37330	D1FZ-6A355-C	( - )	WASHER, Main bearing, 0.005" oversize	As Req.
		D1FZ-6A355-D	( - )	WASHER, Main bearing, 0.0075" oversize	As Req.
		D1FZ-6A355-E	( - )	WASHER, Main bearing, 0.010" oversize	As Req.
11	37342	D1FZ-6700-B	( - )	SEAL, Front cover	1
12	37343	D1FZ-6701-A	( - )	SEAL, Crankshaft rear	1
	54911-5	771M-6A372-AA	( - )	PLATE, Rear engine	1
13		D9JL-6375-C	( - )	FLYWHEEL	1
14	37719	D1FZ-6384-A	( - )	GEAR, Flywheel ring	1
15	54911-16	70HM-6397-AA	( - )	DOWEL, Cylinder block to flywheel	2
		D1FZ-6397-B	( - )	DOWEL, Flywheel to clutch pressure plate	3

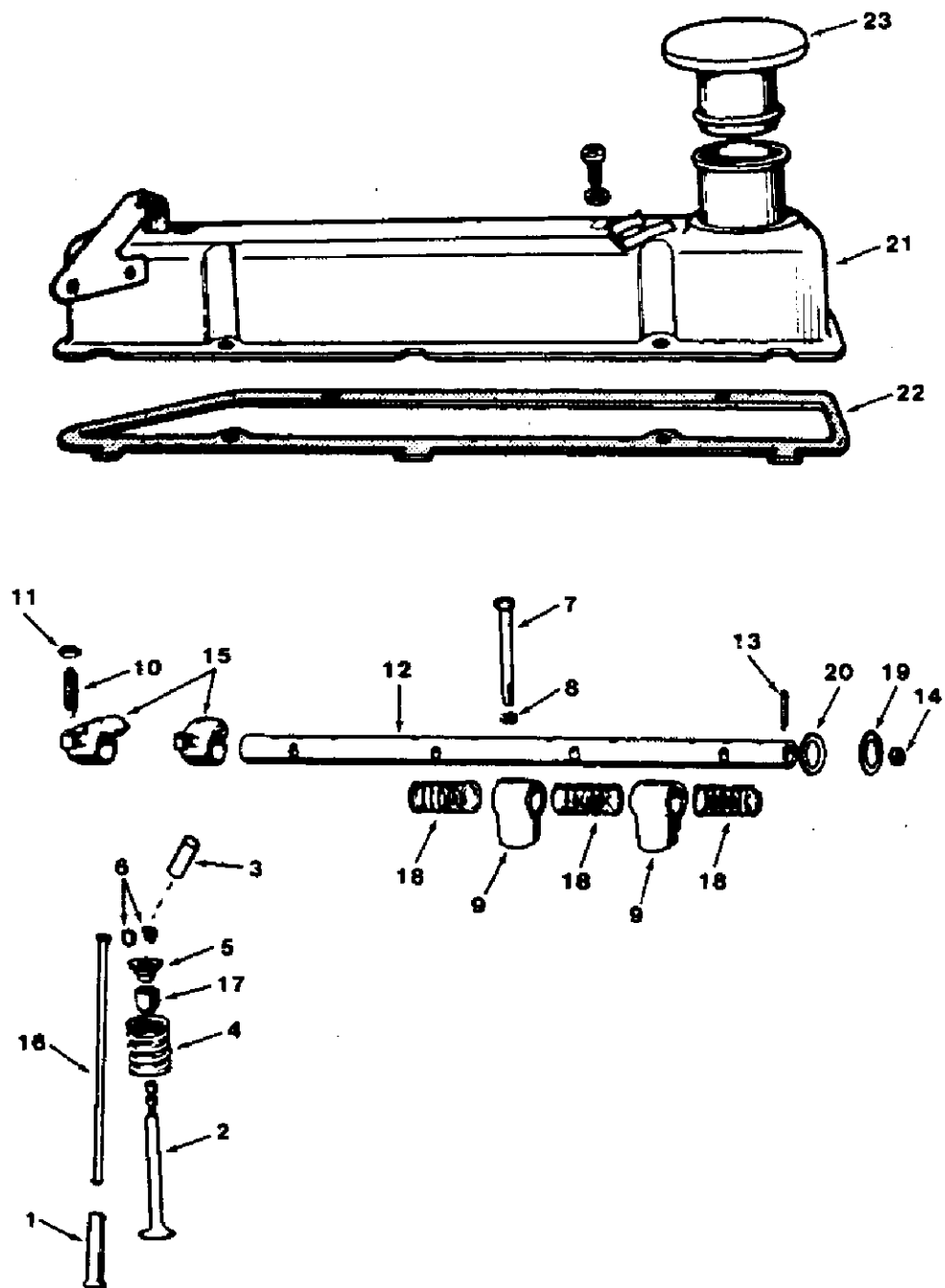


FIG. 3 - VALVES, PUSH RODS, AND ROCKER ARM COVER GROUP



**FIG. 3 - VALVES, PUSH RODS, AND ROCKER ARM COVER GROUP**

KEY	TENNANT® PART NO.	FORD PART NUMBER	ENGINE SERIAL NUMBER	DESCRIPTION	QTY.
1		D1FZ-6500-A	( - )	TAPPET, Standard 0.515" stem O.D.	8
		D1FZ-6500-B	( - )	TAPPET, 0.004" oversize	As Req.
2		711M-6507-KA	( - )	VALVE, Standard, 3 groove, intake	4
		731M-6507-AA	( - )	VALVE, Standard, 1 groove, intake	4
		711M-6507-LA	( - )	VALVE, 0.003" oversize, 3 groove, intake	As Req.
		711M-6507-MA	( - )	VALVE, 0.015" oversize, 3 groove, intake	As Req.
	38248	DH8RZ-6505-A	( - )	VALVE, Standard, 3 groove, exhaust	4
	37368	731M-6505-AA	( - )	VALVE, Standard, 1 groove, exhaust	4
		711M-6505-JA	( - )	VALVE, 0.015" oversize, 3 groove, exhaust	As Req.
3	37308	DORY-6510-A	( - )	BUSHING, Valve guide, intake, 1.825", plain	As Req.
		DORY-6510-C	( - )	BUSHING, Valve guide, intake, 1.825", shouldered	As Req.
	37309	DORY-6510-B	( - )	BUSHING, Valve guide, exhaust, 2.075", plain	As Req.
		DORY-6510-D	( - )	BUSHING, Valve guide, exhaust, 2.075", shouldered	As Req.
4	37340	D1FZ-6513-D	( - )	SPRING	8
5		D1FZ-6514-B	( - )	RETAINER	8
6	37695	D1FZ-6518-B	( - )	KEY, 3 groove	16
7		DORY-6A527-A	( - )	BOLT	4
8		DORY-6A528-A	( - )	WASHER	4
9		DORY-6531-A	( - )	SUPPORT	4
10	37693	DORY-6549-B	( - )	SCREW	8
11		33923-S7	( - )	NUT	8
12		DORY-6563-B	( - )	SHAFT	1
13		72034-S	( - )	PIN, Cotter, 1" long	2
14		DORY-6026-D	( - )	PLUG	2
15		DORY-6564-D	( - )	ARM, R.H.	4
		DORY-6564-C	( - )	ARM, L.H.	4
16		DORY-6565-A	( - )	ROD, Push	8
17	38250	E2JL-6571-AA	( - )	SEAL	8
18		DORY-6587-A	( - )	SPRING, Valve rocker to shaft	3
19		DORY-6590-A	( - )	WASHER, Flat type	4
20		DORY-6598-A	( - )	WASHER, Spring type	2
21	37358	701M6582-GA	( - )	COVER	1
22	54911-24	D1FZ-6584-C	( - )	GASKET	1
23		D3FZ-6766-A	( - )	CAP	1

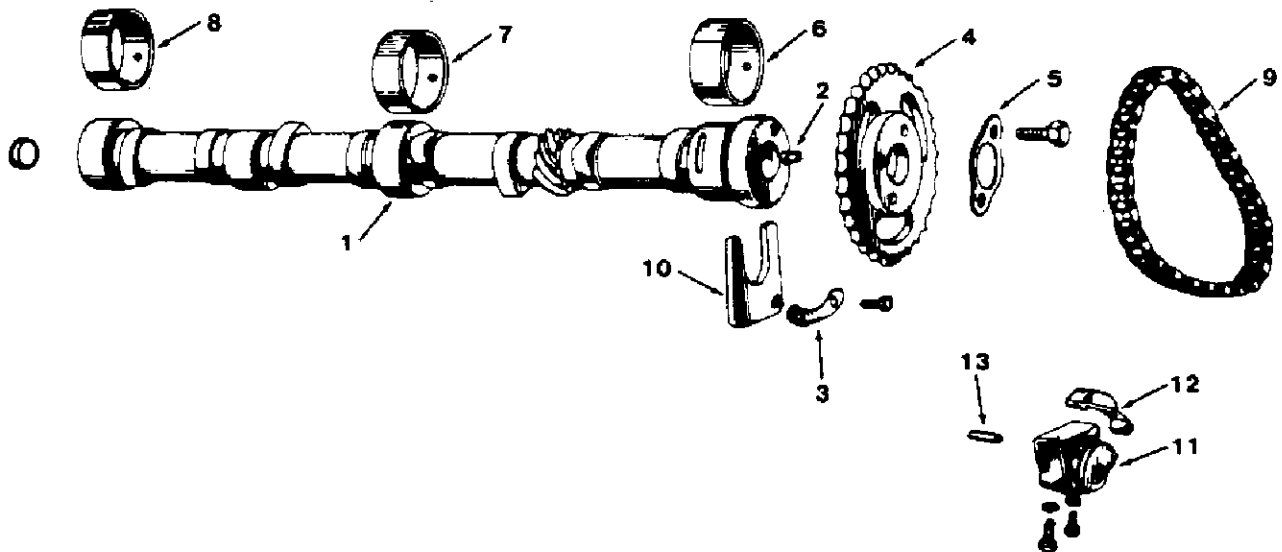


FIG. 4 - CAMSHAFT, GEAR, AND BEARINGS GROUP

KEY	TENNANT® PART NO.	FORD PART NUMBER	ENGINE SERIAL NUMBER	DESCRIPTION	QTY.
1		711F-6250-CC	( - )	CAMSHAFT	1
2		DORY-6253-A	( - )	DOWEL	1
3		DORY-6255-A	( - )	RETAINER	1
4	37315	DORY-6256-A	( - )	SPROCKET	1
5		DORY-6258-A	( - )	RETAINER	1
6	37316	DORY-6261-A	( - )	BEARING, Front, standard I.D. and O.D.	1
	37317	DORY-6261-B	( - )	BEARING, Front, standard I.D. and 0.020" O.S. - O.D.	As Req.
7	37306	DORY-6262-A	( - )	BEARING, Center, standard I.D. and O.D.	1
	38242	DORY-6262-B	( - )	BEARING, Center, standard I.D. and 0.020" O.S. - O.D.	As Req.
8	37306	DORY-6262-A	( - )	BEARING, Rear, standard I.D. and O.D.	1
	38242	DORY-6262-B	( - )	BEARING, Rear, standard I.D. and 0.020" O.S. - O.D.	As Req.
9	37307	DORY-6268-A	( - )	CHAIN	1
10		DORY-6269-A	( - )	PLATE	1
11	37337	D1FZ-6284-A	( - )	TENSIONER	1
12	37338	D1FZ-6285-A	( - )	ARM	1
13	37694	D1FZ-6286-A	( - )	PIN	1

7/83

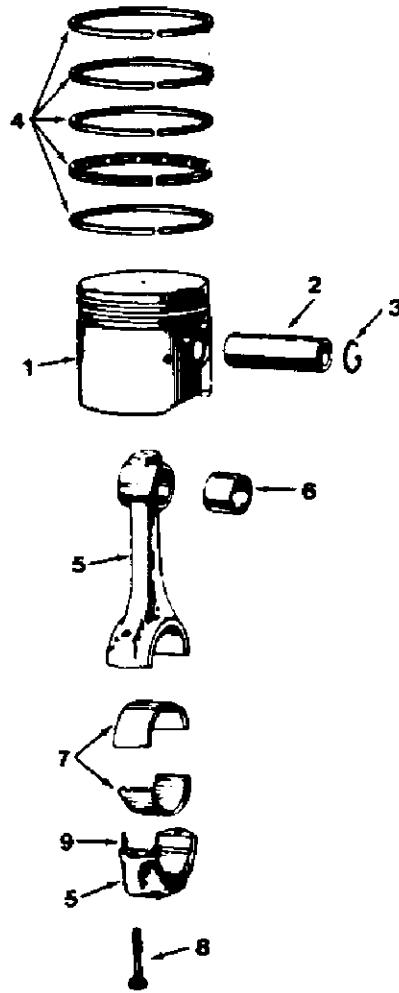


FIG. 5 - PISTON AND CONNECTING ROD GROUP

00742

KEY	TENNANT® PART NO.	FORD PART NUMBER	ENGINE SERIAL NUMBER	DESCRIPTION	QTY.
1		751M-6102-ARA	( - )	PISTON, Standard	4
		751M-6102-AUA	( - )	PISTON, 0.030" O/S	As Req.
2		DORY-6135-A	( - )	PIN, Standard	4
		DORY-6135-C	( - )	PIN, 0.002" Undersize	As Req.
3		DORY-6140-A	( - )	RETAINER, Pin	8
4		751M-6149-AA	( - )	RING SET, Piston, standard	1
		751M-6149-DA	( - )	RING, Piston, 0.030" O/S	As Req.
5		DORY-6200-A	( - )	ROD ASSEMBLY	4
6		105E-6207-B	( - )	BUSHING	4
7	38243	D1FZ-6211-AA	( - )	BEARING, Standard	8
		D1FZ-6211-AB	( - )	BEARING, 0.001" undersize	As Req.
		D1FZ-6211-AC	( - )	BEARING, 0.002" undersize	As Req.
	37335	D1FZ-6211-AD	( - )	BEARING, 0.010" undersize	As Req.
		D1FZ-6211-AE	( - )	BEARING, 0.020" undersize	As Req.
		D1FZ-6211-AF	( - )	BEARING, 0.030" undersize	As Req.
		D1FZ-6211-AG	( - )	BEARING, 0.040" undersize	As Req.
8		DORY-6214-A	( - )	BOLT, 0.38" - 24 x 1.718"	8
9		D1FZ-6217-A	( - )	DOWEL, 0.31" dia x 0.375"	8

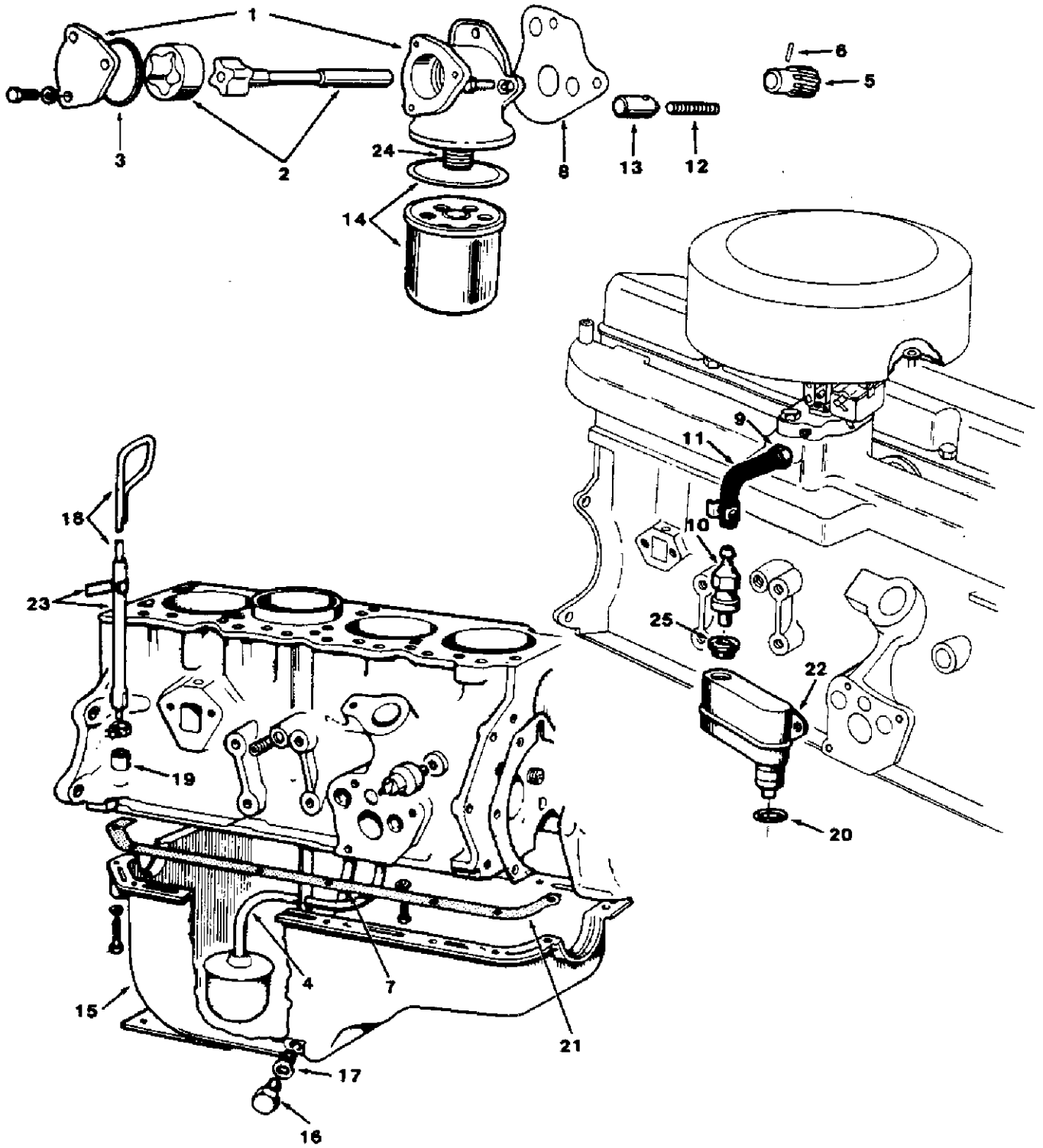


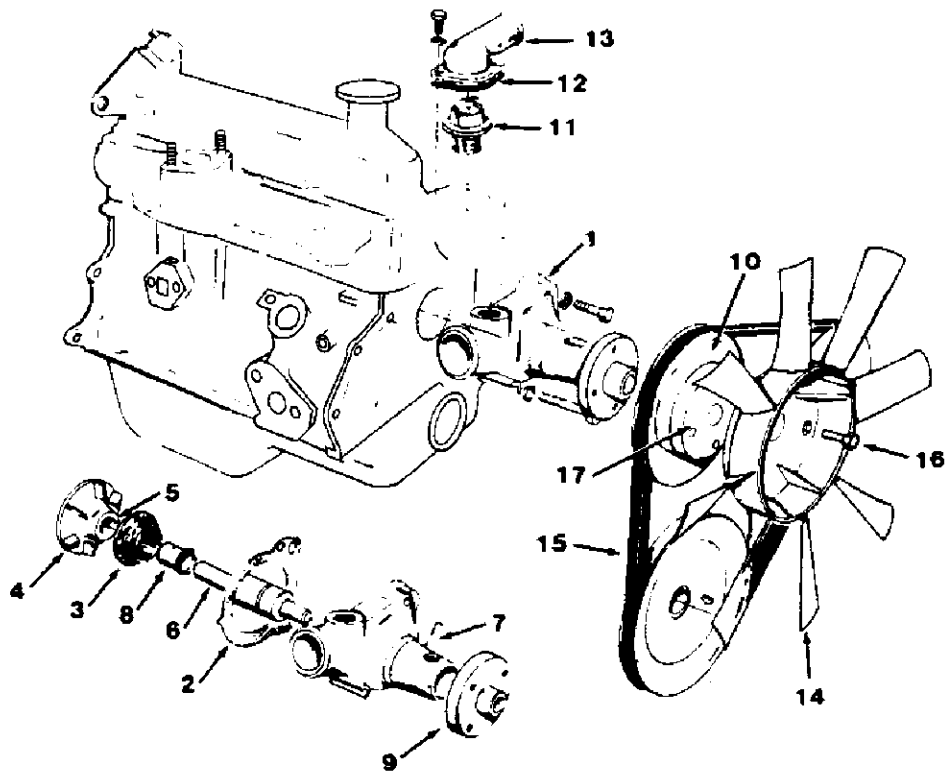
FIG. 6 - OIL PUMP, OIL PAN, AND CRANKCASE VENT GROUP

7/82

**FIG. 6 - OIL PUMP, OIL PAN, AND CRANKCASE VENT GROUP**

00751

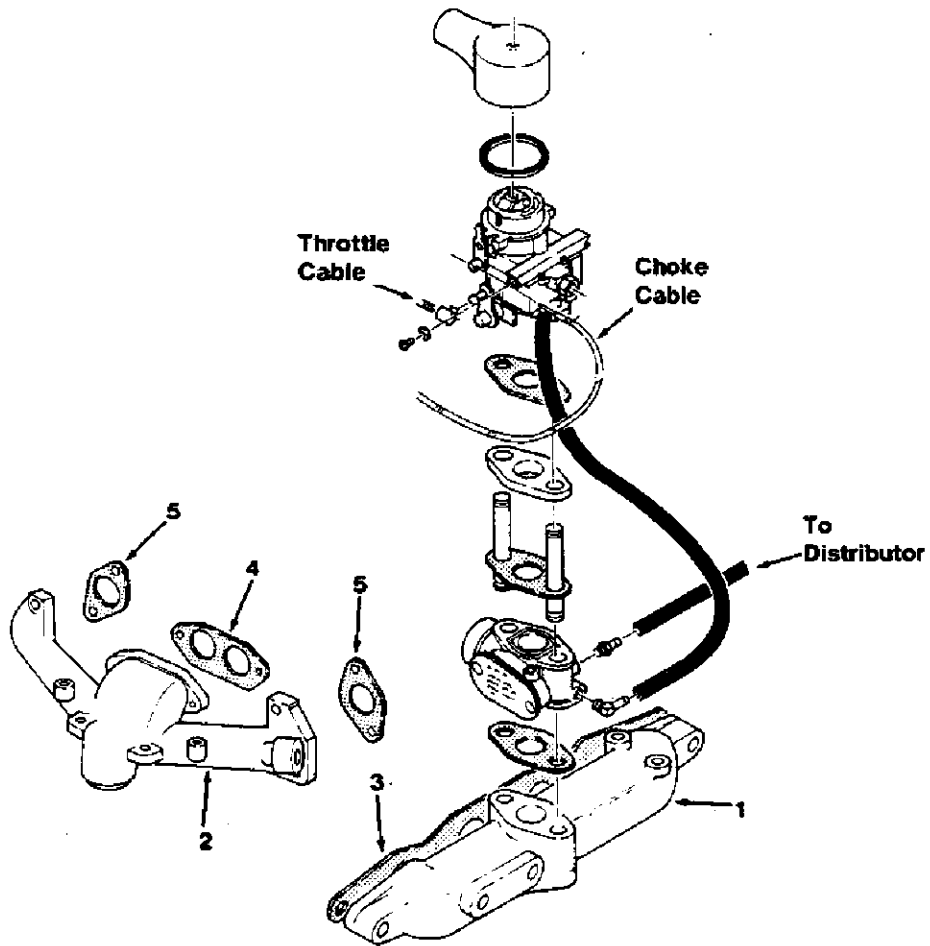
KEY	TENNANT® PART NO.	FORD PART NUMBER	ENGINE SERIAL NUMBER	DESCRIPTION	QTY.
1	37844	D1FZ-6600-C	( - )	OIL PUMP	1
2		D1FZ-6608-B	( - )	ROTOR AND SHAFT	1
3	37403	116682-ES	( - )	O-RING	1
4		DORY-6622-A	( - )	TUBE, Oil pickup	1
5		DORY-6652-A	( - )	GEAR	1
6		72432-S	( - )	PIN	1
7		DORY-6K656-A	( - )	TUBE, Oil return	1
8	37341	D1FZ-6659-A	( - )	GASKET	1
9		DORY-6A665-A	( - )	ADAPTOR, Crankcase ventilation	1
10	38245	73HF-6A666-AB	( - )	VALVE, Crankcase ventilation, PCV	1
11		751F-6K609-AB	( - )	HOSE, PCV	1
12		DORY-6670-A	( - )	SPRING	1
13		DORY-6674-A	( - )	PLUNGER	1
14	50353	EFL89	( - )	OIL FILTER	1
15	37326	DORY-6675-C	( - )	OIL PAN	1
16	37354	D6TZ-6730-A	( - )	PLUG, Oil drain	1
17	37303	C20Z-6734-A	( - )	GASKET, Oil drain	1
18		711M-6750-CA	( - )	INDICATOR, Oil level	1
19	54911-27	DORY-6754-A	( - )	TUBE, Oil level indicator	1
20		DORY-6K777-A	( - )	O-RING	1
21	37344	D1FZ-6781-B	( - )	GASKET, Oil pan	1
22		D1FZ-6A785-B	( - )	SEPARATOR	1
23		711M-6K815-BA	( - )	EXTENSION, Oil level indicator	1
24		D1FZ-6890-B	( - )	INSERT, Oil filter mounting bolt	1
25		CBSZ-6A892-A	( - )	GROMMET, PCV valve	1



**FIG. 7 - WATER PUMP, THERMOSTAT, AND FAN BLADE GROUP**

00748

KEY	TENNANT® PART NO.	FORD PART NUMBER	ENGINE SERIAL NUMBER	DESCRIPTION	QTY.
1	37345	DORY-8501-A	( - )	WATER PUMP	1
2	37325	DORY-8507-A	( - )	GASKET	1
3		D1FZ-8564-A	( - )	SEAL	1
4		D1FZ-8512-B	( - )	IMPELLER	1
5		DORY-8517-A	( - )	SEAT	1
6		D4RY-8530-A	( - )	SHAFT AND BEARING	1
7		DORY-8K537-A	( - )	RETAINER	1
8		DORY-8550-A	( - )	SLINGER	1
9		DORY-8553-A	( - )	HUB	1
10	54911-10	D1FZ-8509B	( - )	PULLEY	1
11	37327	D4PZ-8575-A	( - )	THERMOSTAT	1
12	54911-25	D1FZ-8255B	( - )	GASKET	1
13	37346	D1FZ-8592-B	( - )	ELBOW	1
14		D9JL-8600-A	( - )	FAN, 6 blade	1
15		D7PZ-8620-C	( - )	BELT	1
16		241589	( - )	BOLT, M8 x 20mm	4
		8A-8115	( - )	DRAIN COCK	1
17		D9JL-8546A	( - )	SPACER, Fan	1



**FIG. 8 - INTAKE, EXHAUST MANIFOLD, AND CARBURETOR GROUP**

01315

KEY	TENNANT® PART NO.	FORD PART NUMBER	ENGINE SERIAL NUMBER	DESCRIPTION	QTY.
1		761F-9425-AA	( - )	MANIFOLD, Intake	1
2	32838	781F9430AA	( - )	MANIFOLD, Exhaust	1
3	54911-22		( - )	GASKET, Intake manifold	1
4	54911-20	DORY-9448A	( - )	GASKET, Exhaust manifold, inner	1
5	54911-21	DORY-9448B	( - )	GASKET, Exhaust manifold, outer	2

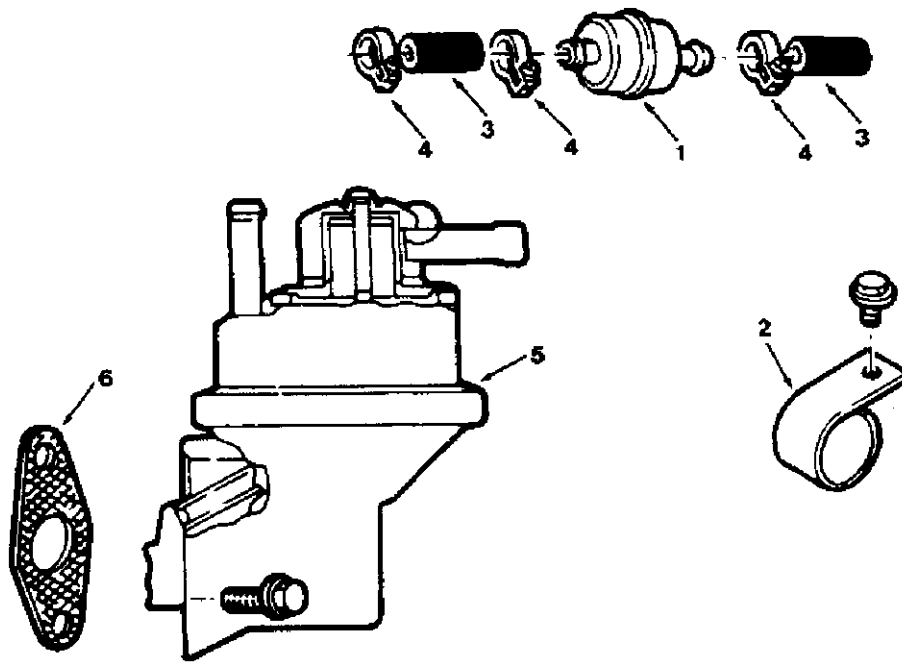


FIG. 9 - FUEL FILTER AND FUEL PUMP GROUP

00740

KEY	TENNANT® PART NO.	FORD PART NUMBER	ENGINE SERIAL NUMBER	DESCRIPTION	QTY.
1		C2RZ-9155-A	( - )	FUEL FILTER KIT	1
2		D9JL-9180-B	( - )	BRACKET	1
3		EOJL-92B1AA	( - )	HOSE, Filter to carburetor	1
4		380882-S32	( - )	HOSE, Clamp	3
5	54912-2	DORY-9350-D	( - )	FUEL PUMP ASSEMBLY	1
6	54911-29	DORY-9417-A	( - )	GASKET	1



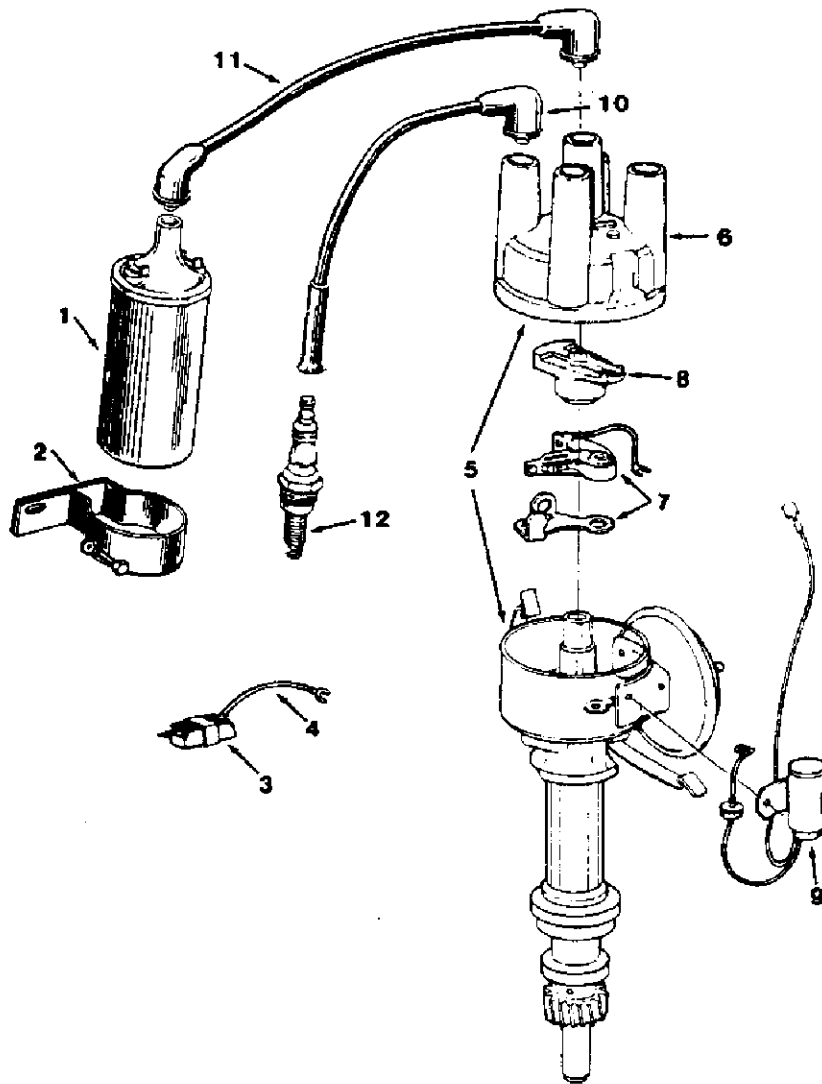


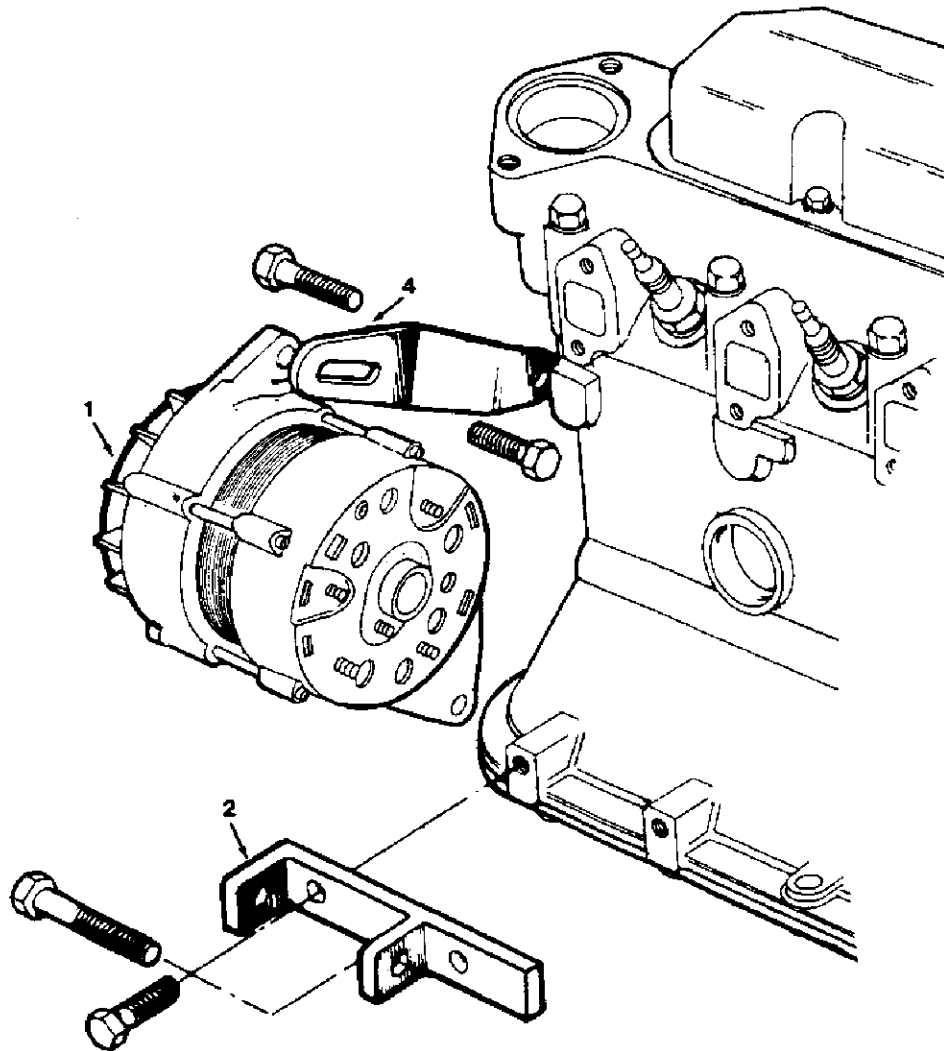
FIG. 10 - IGNITION COIL, DISTRIBUTOR, AND SPARK PLUGS GROUP

00745

KEY	TENNANT® PART NO.	FORD PART NUMBER	ENGINE SERIAL NUMBER	DESCRIPTION	QTY.
1		D5TE-12029-AB	( - )	COIL	1
2	SK1945		( - )	STRAP	1
3		D9J6-12250-A	( - )	RESISTOR	1
4		B7P-14497-A	( - )	WIRE, Resistor to coil	1
5		71BB-12100-BHA	( - )	DISTRIBUTOR, Bosch	1
5	37440	71BB-12100-ANB	( - )	DISTRIBUTOR, Lucas	1
6	58507	D1FZ-12106-A	( - )	CAP, Bosch	1
6	37311	DORY-12106-A	( - )	CAP, Lucas	1
7	58506	77BF-12171-AA	( - )	POINTS, Bosch	1
7	37356	DP12	( - )	POINTS SET, Lucas	1
8	58508	D1FZ-12200-A	( - )	ROTOR, Bosch	1
8	37310	DORY-12200-A	( - )	ROTOR, Lucas	1
9	58509	831F-12300-AA	( - )	CONDENSER, Bosch	1
9	37408	DORY-12300	( - )	CONDENSER, Lucas	1
10	37328	D1FZ-12259A	( - )	WIRE, No. 2	1
	37328	D1FZ-12259A	( - )	WIRE, No. 3	1
	37328	D1FZ-12259A	( - )	WIRE, No. 1	1
	37328	D1FZ-12259A	( - )	WIRE, No. 4	1
11		D4FZ-12298-A	( - )	WIRE, High tension	1
12	45770-8		( - )	SPARK PLUGS	4

1/84

15



**FIG. 11 - ALTERNATOR GROUP**

00747

KEY	TENNANT® PART NO.	FORD PART NUMBER	ENGINE SERIAL NUMBER	DESCRIPTION	QTY.
1		D8ZF-10300-AA	( - )	ALTERNATOR ASSEMBLY	1
2		D9PZ-10316-A	( - )	REGULATOR, 2.60" high	1
		D8VZ-10316-A	( - )	REGULATOR, 1.70" high	1
3		D1FZ-10A313-C	( - )	BRACKET, Mounting	1
4		C9JJ-10145-A	( - )	ARM, Adjusting, with 2 bolt holes	1

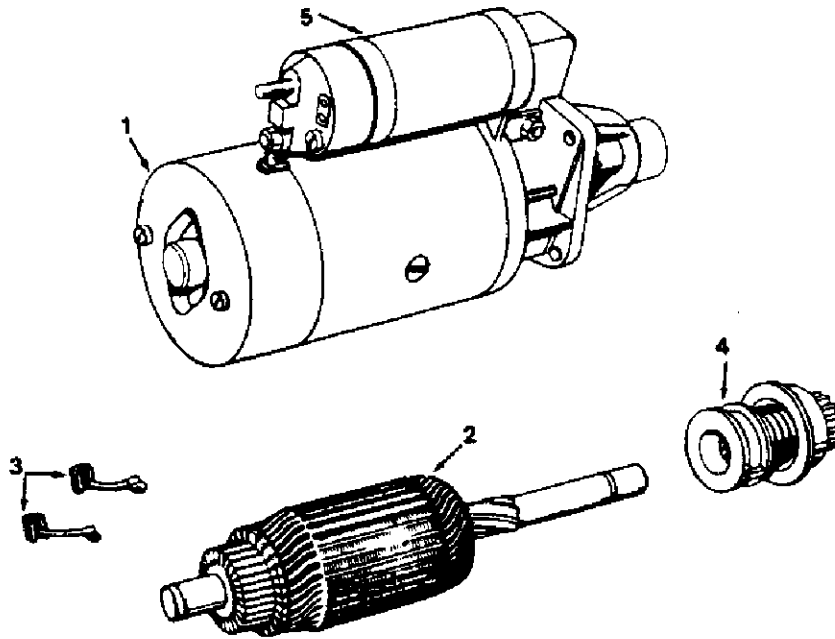
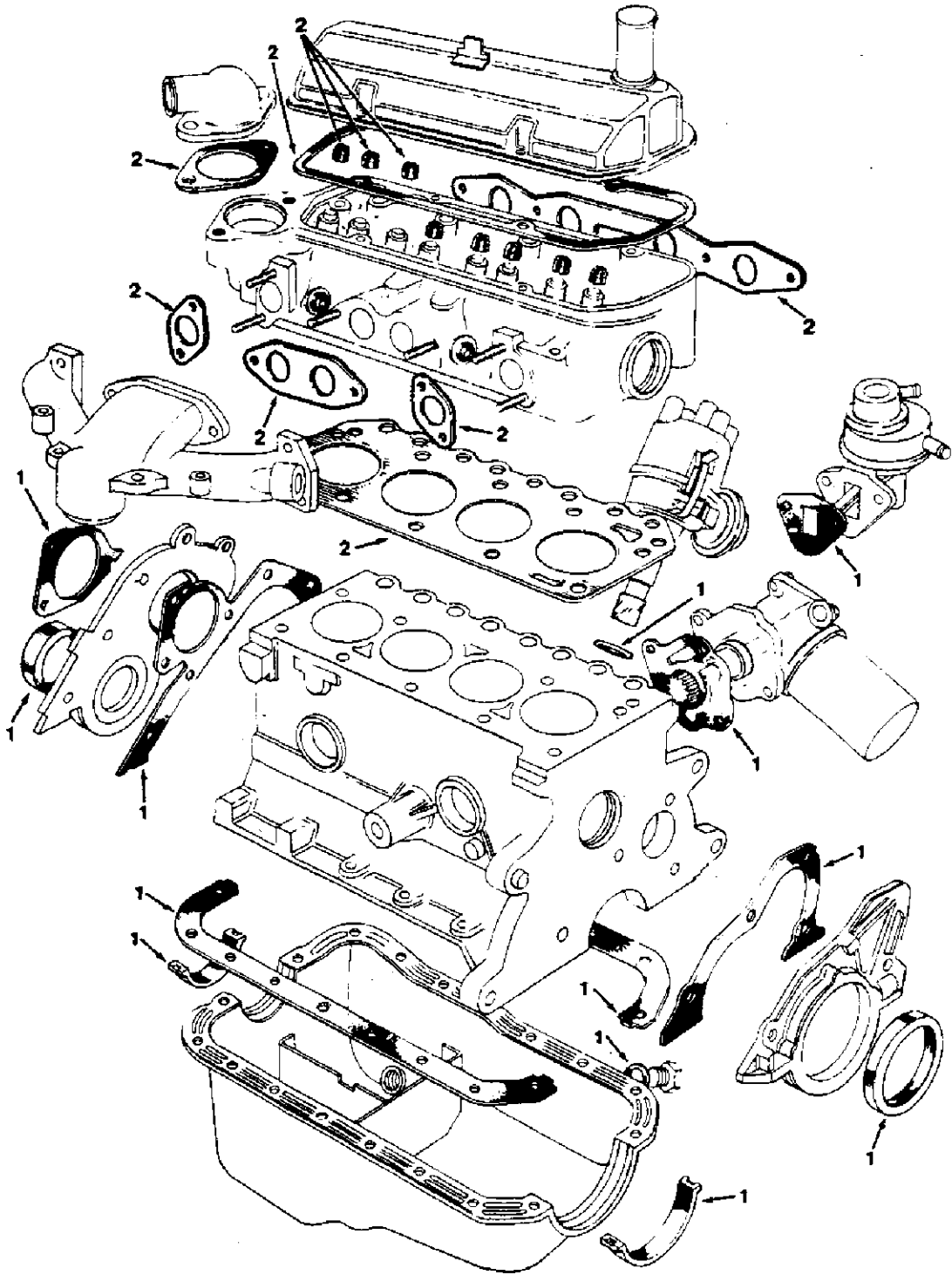


FIG. 12 - STARTER MOTOR

00741

KEY	TENNANT® PART NO.	FORD PART NUMBER	ENGINE SERIAL NUMBER	DESCRIPTION	QTY.
1	SK2459		( - )	STARTER MOTOR	1
				CONSISTS OF:	
2		D1RY-11005-A	( - )	ARMATURE, No. 25270	1
		D3RY-11005-A	( - )	ARMATURE, No. 1211206	1
3	37357	D1RY-11057-A	( - )	BRUSH SET, No. 25270	1
		D3RY-11057-A	( - )	BRUSH SET, No. 1211206	1
4		D1RY-11350-C	( - )	DRIVE ASSEMBLY, No. 1211206	1
5	SK2460		( - )	SOLENOID, No. 25270	1
		D3RY-11390-A	( - )	SOLENOID, No. 1211206	1



**FIG. 13 - ENGINE GASKET KITS GROUP**

00749

KEY	TENNANT® PART NO.	FORD PART NUMBER	ENGINE SERIAL NUMBER	DESCRIPTION	QTY.
1	37332	D1FZ-6008-A	( - )	GASKET KIT, Engine overhaul	1
2	37334	D1FZ-6079-A	( - )	GASKET KIT, Valve grind	1

7/83

# TENNANT COMPANY LIMITED WARRANTY

## NEW MACHINES

Tennant Company warrants to the original purchaser for the period stated below that goods manufactured by it will be free from defects of workmanship and material, provided such goods are installed, operated, and maintained in accordance with Tennant Company's written manuals or other instructions. No warranty is made with respect to items supplied by Tennant Company on special order of purchaser. Tennant Company's sole obligation under this Warranty will be to repair and replace, at Tennant Company's option, parts that do not conform to this Warranty.

### SIX-MONTH LABOR COVERAGE (U.S.A. AND CANADA ONLY)

For six (6) months in the U.S.A. or Canada, thirty (30) days elsewhere, from date of installation, Tennant Company will, at its option, provide labor for repair, pay for outside repair service, or pay the customer straight time in accordance with Tennant Company's flat rate schedule for particular warranty repairs. After six (6) months, Tennant Company's sole obligation shall be limited to the repair or replacement, at Tennant Company's option, of parts that do not conform to this Warranty according to the schedule below.

### BATTERIES AND TIRES

Batteries and tires will be replaced if failure occurs due to defective material or workmanship within ninety (90) days from date of purchase. Thereafter, a pro rata adjustment from date of purchase to twelve (12) months will be made. The pro rata adjustment price of the replacement battery and/or tire will be the Tennant Company current price as of the adjustment request less 1/12th of that price for each month remaining in the twelve (12) month period. This Warranty applies only to batteries and tires purchased from Tennant Company and installed in vehicles used in normal service.

### BRUSHES

Brushes that fail due to defective material or workmanship will be replaced on a pro rata basis within the first twelve (12) months of purchase. The replacement price will be calculated by multiplying the current Tennant Company price by the percentage of usable bristle remaining at the time of adjustment.

### MACHINE WARRANTY PERIOD

Tennant Company warrants its equipment for a set number of months or for a set number of hours of use, whichever comes first. The warranty periods and hours of use vary depending upon the machine model. The warranty periods for Tennant Company's various machines are:

#### SCARIFIERS

Machine Model	Warranty Period	Machine Model	Warranty Period
G	12 months/500 hours	L2	12 months/500 hours
K4	12 months/500 hours	RS/TLR	12 months/500 hours
KDC	12 months/500 hours		

#### SCRUBBERS

Machine Model	Warranty Period	Machine Model	Warranty Period
426	12 months/500 hours	540E	12 months/1500 hours
432	12 months/500 hours	550	12 months/1500 hours
520	12 months/1500 hours	550E	12 months/1500 hours
527-II	12 months/1500 hours		
	(except engine and hydraulics-24 months/2000 hours)		

#### SWEEPERS

Machine Model	Warranty Period	Machine Model	Warranty Period
42HD	12 months/500 hours	240	12 months/1500 hours
140	12 months/500 hours	240EH SE	24 months/1750 hours
186	18 months/500 hours	255	18 months/1500 hours
215	18 months/750 hours	275/275SE	24 months/2000 hours
220	12 months/1500 hours	365	24 months/2000 hours
235	24 months/1250 hours	92 GR	12 months/1500 hours
	(except Duramerc hopper		
	5 years/5000 hours)		
		95	24 months/2000 hours
		717	24 months/1500 hours

## RECONDITIONED MACHINES

Tennant Company warrants to the purchaser of reconditioned equipment, purchased from Tennant Company, for the period of ninety (90) days from the date of delivery that the purchased equipment will be free from defects of workmanship and material, provided such equipment is operated and maintained according to Tennant Company written manuals or instructions. Tennant Company's sole obligation under this Warranty will be to repair and replace, at Tennant Company's option, parts that do not conform to this Warranty.

No warranty of any kind is extended to equipment that is sold for salvage.

### LABOR COVERAGE

For thirty (30) days from date of delivery Tennant Company will, at its option, provide labor for repair, pay outside repair service, or pay the customer straight time in accordance with Tennant Company flat rate schedule for particular warranty repair. After thirty (30) days, Tennant Company's sole obligation shall be limited to the repair or replacement, at Tennant Company's option, of parts that do not conform to this Warranty.

## REPAIR PARTS

Repair parts supplied by Tennant Company are warranted against defects for the period stated below. Tennant Company's obligation is limited to the replacement of the warranted part, and Tennant Company shall not be obligated to provide labor (except certain engines also stated below) in installing such part.

### ENGINES, SHORT BLOCKS, AND LONG BLOCKS

Manufacturer	Warranty Period	Manufacturer	Warranty Period
Continental	1 year or 1500 hours parts & labor	Perkins	1 year or 1500 hours parts & labor
Kohler	1 year or 1500 hours parts & labor (except Kohler Model K181S -500 hours)	Kubota	1 year or 1500 hours parts & labor
Briggs & Stratton	90 days or 200 hours parts & labor	Wisconsin	1 year or 500 hours parts & labor
Onan	1 year or 1500 hours parts & labor	Ford	1 year or 1500 hours parts only

- Engine part replacements such as water pumps, carburetors, and alternators are warranted for thirty (30) days parts only, no labor.
- Labor is to include only the time it takes to repair an engine. It does not include removal and replacement nor does it include travel time.

### MAJOR HYDRAULIC COMPONENTS (PUMPS, MOTORS, CYLINDERS, AND CONTROL VALVES)

Manufacturer	Warranty Period	Manufacturer	Warranty Period
Cessna	1 year parts only	Oilgear	1 year parts only
Char-Lynn	1 year parts only	Gresen	90 days parts only
Victor (Dukes)	1 year parts only	MTE	90 days parts only
Ross	1 year parts only	Barnes	90 days parts only
Vickers	1 year parts only		

- All seal kits and replacement parts are warranted for thirty (30) days parts only.

### MAJOR ELECTRIC MOTORS

Manufacturer	Warranty Period	Manufacturer	Warranty Period
Baldor	1 year parts only	Ohio Electric	1 year parts only
General Electric	1 year parts only	HK Porter	1 year parts only

All other repair parts are warranted for thirty (30) days only.

## SERVICE LABOR

Labor performed by a Tennant Company service representative shall be warranted for thirty (30) days from the date the repairs are completed. This policy does not cover work performed by any service company, other than Tennant Company, and is restricted to the specific repair operation or component for which a claim is made.

**THIS WARRANTY IS EXPRESSLY IN LIEU OF ALL OTHER EXPRESSED OR IMPLIED WARRANTIES INCLUDING THE WARRANTIES OF MERCHANTABILITY AND FITNESS AND OF ALL OTHER OBLIGATIONS AND LIABILITIES ON THE PART OF TENNANT COMPANY, INCLUDING LIABILITIES FOR DIRECT, IMMEDIATE, SPECIAL, INDIRECT, OR CONSEQUENTIAL DAMAGES ARISING OUT OF THE FAILURE OF ANY MACHINE OR PART OF IT TO OPERATE PROPERLY, INCLUDING THE COST OR EXPENSE OF PROVIDING SUBSTITUTE EQUIPMENT OR SERVICE DURING PERIODS OF MALFUNCTION OR NON-USE.**

This Warranty cannot be extended, changed, or modified by any representative of Tennant Company.

Home

Find...

Go To..





TENNANT COMPANY WORLD HEADQUARTERS, MINNEAPOLIS, MN 55440 U.S.A.

---

Home	Find...	Go To..		
------	---------	---------	--	---